

---

**ED254665**

---

**Spare Parts Catalogue**

---

**LDW 1503      CARRARO A**

**Update Date 02/11/2019**

**Print Date 06/12/2019**

---

**KOHLER**.Engines



## Tavola ricambi

Index	Description
8010300010	CRANKSHAFT
8011300010	PISTON / CONNECTING ROD
8012300060	FLYWHEEL
8014300090	PULLEYS / BELT
8020300010	CRANKCASE
8021300010	CYLINDER HEAD
8022300040	HEAD COVER
8023300010	FLYWHEEL SIDE SUPPORT
8025300010	ENGINE MOUNTS
8027300010	TIMING SYSTEM COVER
8030300020	INJECTION SYSTEM
8035300040	CAMSHAFT
8036300010	ROCKER ARMS / VALVES
8038300010	TIMING SYSTEM
8040300010	OIL PUMP
8041300010	OIL PAN
8042300020	OIL FILTER
8043300010	OIL DIPSTICK
8045300010	BREATHER SYSTEM
8050300010	SPEED GOVERNOR
8051300150	CONTROLS
8052300040	ELECTROVALVE
8061300010	FUEL FILTER
8062300020	FUEL FEED PUMP
8064300040	FUEL LINES
8071300010	COOLING FAN
8074300250	THERMOSTAT UNIT
8077300090	COOLANT PUMP
8080300070	AIR INLET MANIFOLD / AIR FILTER
8085300060	EXHAUST GAS MANIFOLD
8087300070	EXHAUST GAS ACCESSORIES
8100300040	VOLTAGE ALTERNATOR
8101300010	STARTING MOTOR
8102300010	OIL PRESSURE SWITCH
8103300010	CONTROL PANEL / ENGINE WIRES
8104300010	TEMPERATURE SENSORS

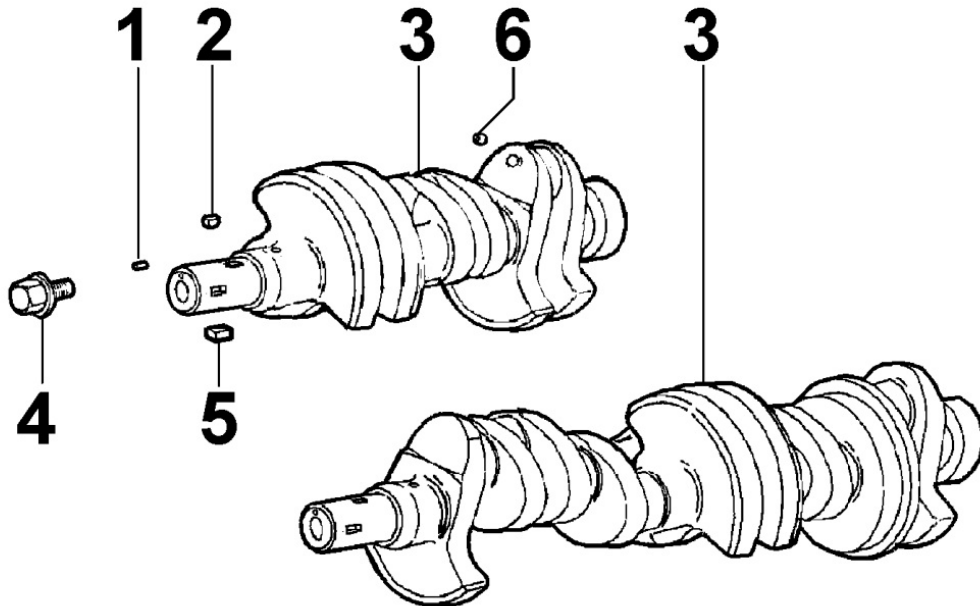
**Tavola ricambi**

Index	Description
8106300030	GLOW PLUGS / PRE-HEATING RELAY
8140300050	3rd PTO
8145300010	4th PTO
8152300010	HOURMETER, TACHOMETER, RIGHT ANGLE GEAR
8160300130	ENGINE FLANGE / BACKPLATE
8161300050	1st PTO ACCESSORIES
8173300010	ALTERNATOR GUARD



## 8010300010 - CRANKSHAFT

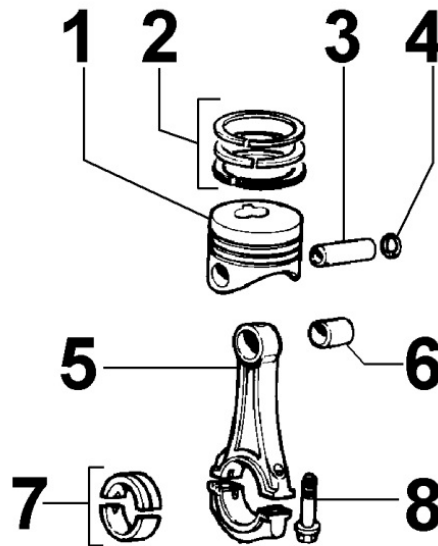
8 010 30



Pos	Kit	Included In	Code	Description	Qty	Old Code	Tech. Info
1		(A)	ED0084001200-S	PARAL.PIN	1		
1		(A)	ED0084300040-S	TAPER PIN 3x12 DIN 1481	1		▲
2		(A)	ED0022800820-S	KEY	1		
3	(A)		ED0010511750-S	ALB.GOMITO/CRANKSHAFT D BC**	1	ED0010511350-S	▲
4			ED0098653190-S	CRANKSHAFT BOLT	1	ED0098652580-S	
5		(A)	ED0022801550-S	KEY	1		
6		(A)	ED0090801320-S	PLUG AVSEAL D6 02961-00607	3		▲

## 8011300010 - PISTON / CONNECTING ROD

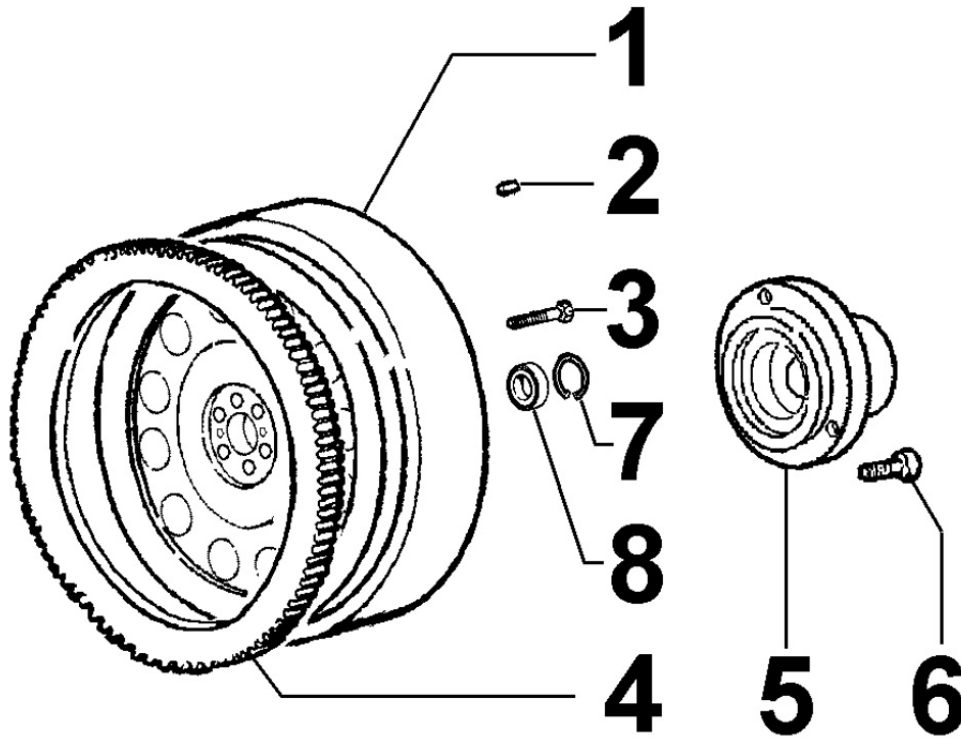
8 011 30




Pos	Kit	Included In	Code	Description	Qty	Old Code	Tech. Info
1	(B)		ED0065007200-S	PISTON STD.	3		▲
1	(B)		ED0065007210-S	PISTON +0.5	3		▲
1	(B)		KDISC.		3	ED0065007220-S	
2		(B)	ED0082112240-S	RINGS STAND.	3		▲
2		(B)	ED0082112250-S	RINGS +0.5	3		▲
2		(B)	ED0082112260-S	RING SET +1.00	3		▲
3		(B)	ED0084800900-S	PISTON PIN	3		▲
4		(B)	ED0011750590-S	SNAP RING	6		▲
5	(A)		ED0015261100-S	CONNECTING ROD	3		
6		(A)	ED0016300210-S	S.ENDBRNG	1		
7			ED0016400400-S	BEARING STD	3/4		
7			ED0016400520-S	BEAR.-0.25	3/4		
7			ED0016400530-S	BEAR.-0.50	3/4		
8		(A)	ED0017801350-S	BULLONE/BOLT 'F IC10	6/8		▲

8012300060 - FLYWHEEL

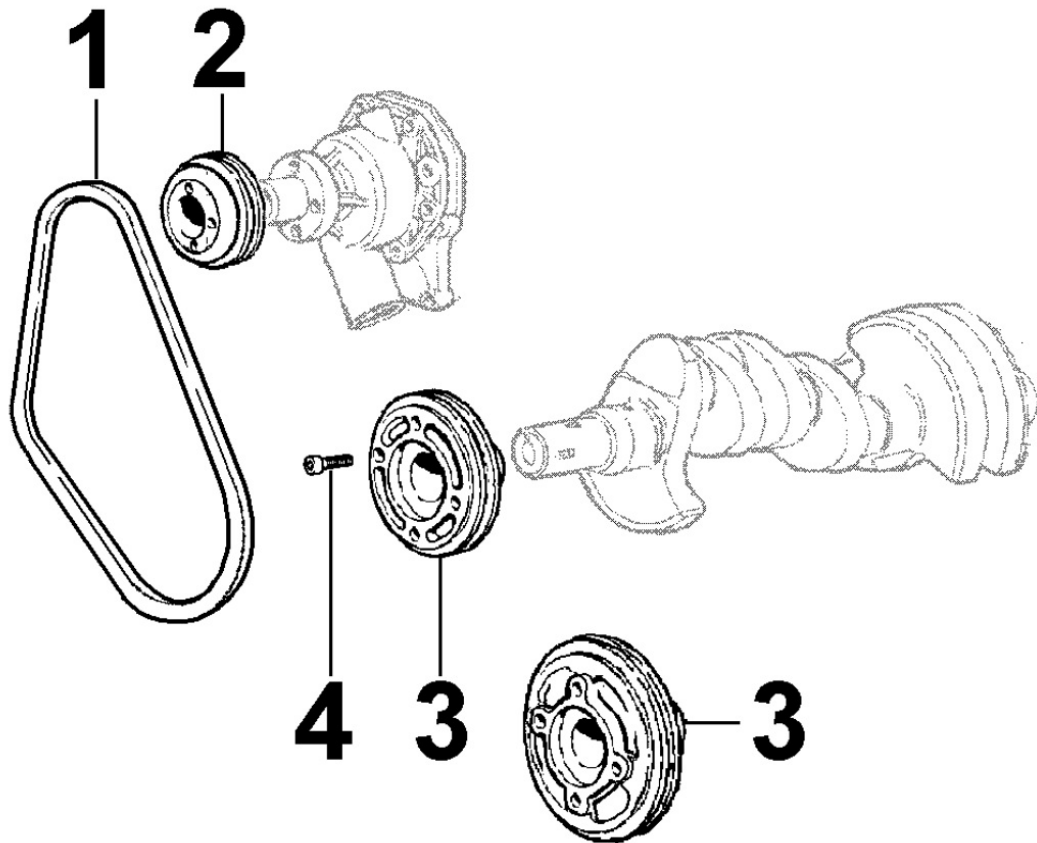
8 012 30




Pos	Kit	Included In	Code	Description	Qty	Old Code	Tech. Info
1	(A)		ED0098809650-S	VOLANO/FLYWHEEL N **	1		
3			ED0018620890-S	BOLT	6		
4		(A)	ED0028160650-S	RING GEAR	1		

## 8014300090 - PULLEYS / BELT

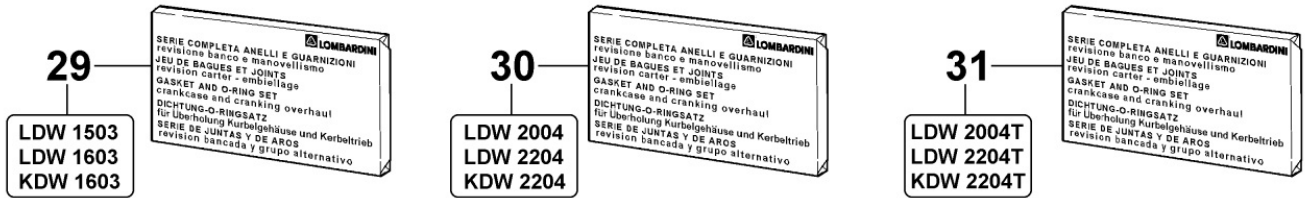
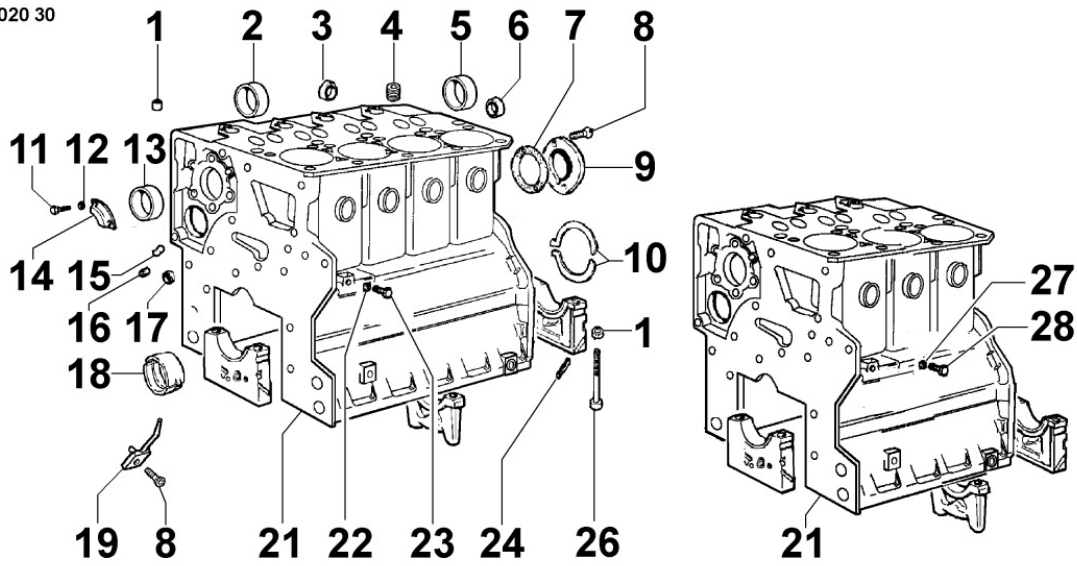
8 014 30



Pos	Kit	Included In	Code	Description	Qty	Old Code	Tech. Info
1			ED0024400840-S	VEEBELT	1	ED0024001150-S	
2			ED0069753150-S	PULLEY	1		
3			ED0069753180-S	PULLEY	1		
4			ED0097300150-S	SOC HEAD SCREW M6X30-5931.8G+ZN.B	4		

8020300010 - CRANKCASE

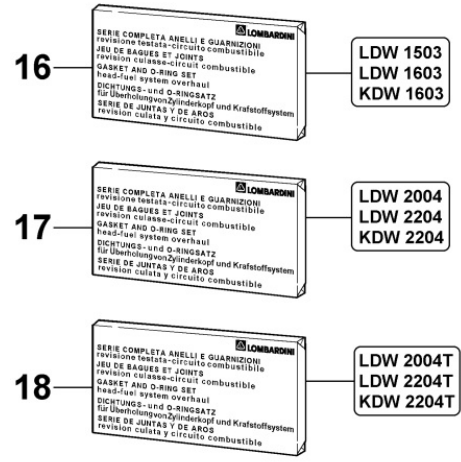
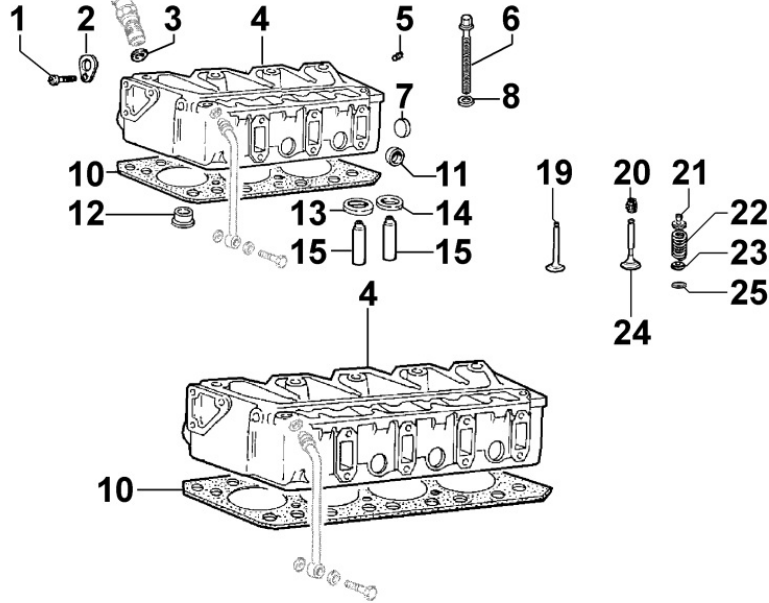
8 020 30



Pos	Kit	Included In	Code	Description	Qty	Old Code	Tech. Info
1		(A)	ED0019701410-S	SLEEVE	10/12		
4			ED0097651400-S	VITE/SCREW D 10	1		▲
7			ED0044312070-S	GASKET FOR CLOSING CAMSHAFT	1	ED0044311550-S	
8			ED0098000610-S	CAPSCREW	2		
9			ED0026150470-S	COP.FORI/HOLE COVER D	1		
10			ED0012571670-S	THRUST BEARING	4/5		▲
10			KDISC.		2	ED0012571680-S	
10			ED0012571690-S	ANELLO/THRUST B. +0,2 SV CR	2		▲
11			ED0017700020-S	HEX.HEAD.SCR.M8X16-5739-	2		
12			ED0075650070-S	SPRING WASHER D14.2/8.2	2		
14			ED0062751200-S	PIASTRA/PLATE D	1		
18			ED0016112050-S	BEAR.STAND.	4/5		▲
18			ED0016112060-S	BEAR.-0.25	4/5		▲
18			ED0016112070-S	BEAR.-0.50	4/5		▲
21			ED0015107520-S	CRANKCASE	1		▲
22			ED0046700610-S	COPPER WASHER D19/14.2 1.5 THK	2		
23			ED0089650210-S	CAP	1		
23			ED0090400120-S	OIL DRAIN PLUG M14	2		
24		(A)	ED0044000540-S	BEARING CUP RUBBER SEAL	4		
27			ED0046700580-S	COPPER WASHER 8,2X12X1,5	1		
29			ED0082051150-S	SET	1		▲
30			ED0082051180-S	SET	1		▲
31			ED0082051210-S	SET	1		▲

8021300010 - CYLINDER HEAD

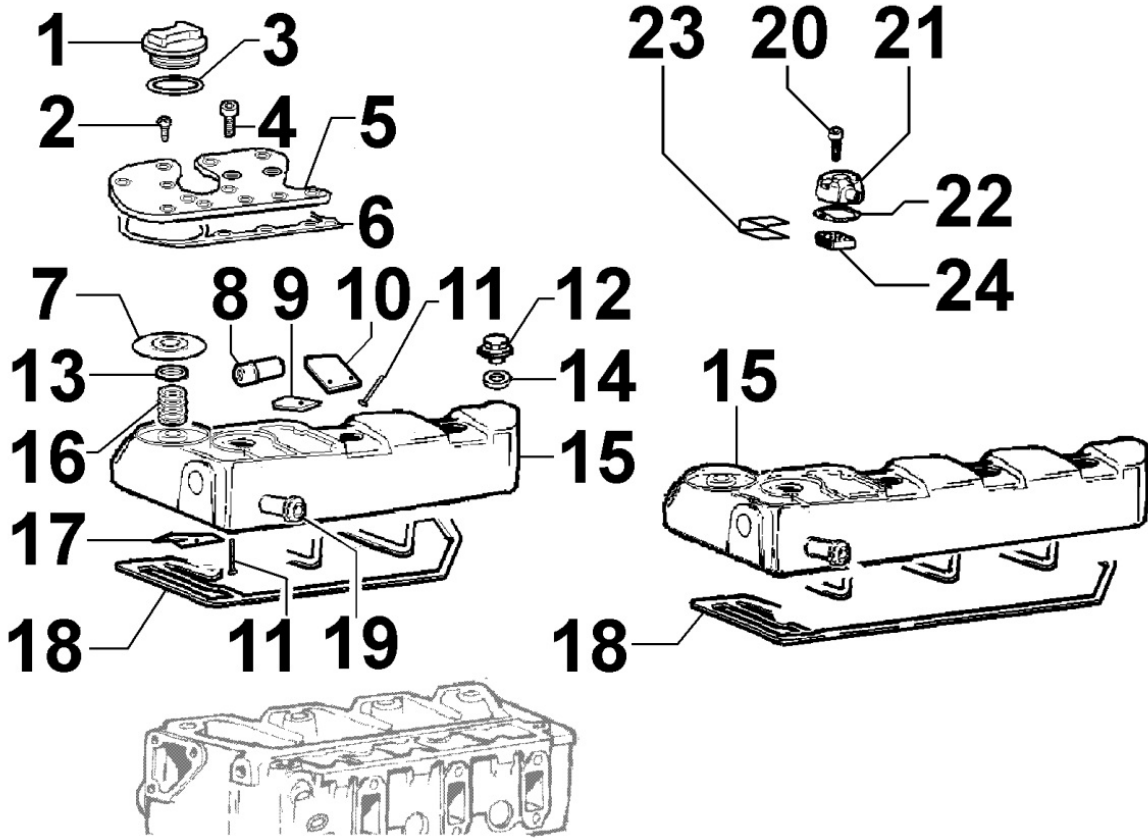
8 021 30



Pos	Kit	Included In	Code	Description	Qty	Old Code	Tech. Info
1			ED0097300240-S	SOC HEAD CAP SCR M8X16L 1.25P	2		
2			ED0085451900-S	BRACE	2		
3			ED0059890060-S	SPARK ARR.	3		
4	(B)		ED0092005310-S	CYLINDER HEAD	1		▲
6			ED0018620910-S	BOLT	8		▲
8			ED0076260400-S	WASHER	8		
10			ED0047306040-S	GUARN. TESTA SP.1,65 LDW1503	1		▲
13		(A)	ED0080001260-S	VALVE SEAT	6		
14		(A)	ED0080001270-S	VALVE SEAT	6		
15			KDISC.		6	ED0048452280-S	
15		(A)	ED0048452270-S	GUIDE	6		▲
16			ED0082051140-S	GASKET SET	1		▲
17			ED0082051170-S	GASKET SET	1		▲
18			ED0082051200-S	SET	1		▲
19				803630...0			
20				803630...0			
21				803630...0			
22				803630...0			
23				803630...0			
24				803630...0			
25				803630...0			

8022300040 - HEAD COVER

8 022 30

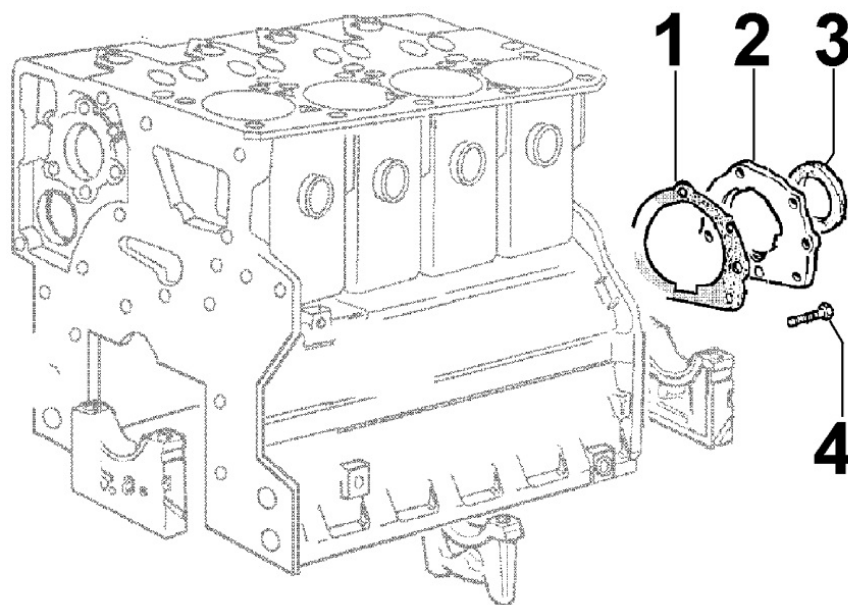


Pos	Kit	Included In	Code	Description	Qty	Old Code	Tech. Info
1			ED0090320640-S	FILLERPL.	1		
5			ED0027502250-S	COVER	1		
12			ED0033002180-S	NUT	3		▲
14			ED0044000500-S	GASKET	3		▲
15			ED0021252340-S	COVER	1		▲
18			ED0044000510-S	GASKET	1		▲
18			ED0044311190-S	GASKET	1		
23			ED0050960500-S	PLATE	1		
23			ED0054961060-S	ELEMENT	1		



## 8023300010 - FLYWHEEL SIDE SUPPORT

8 023 30

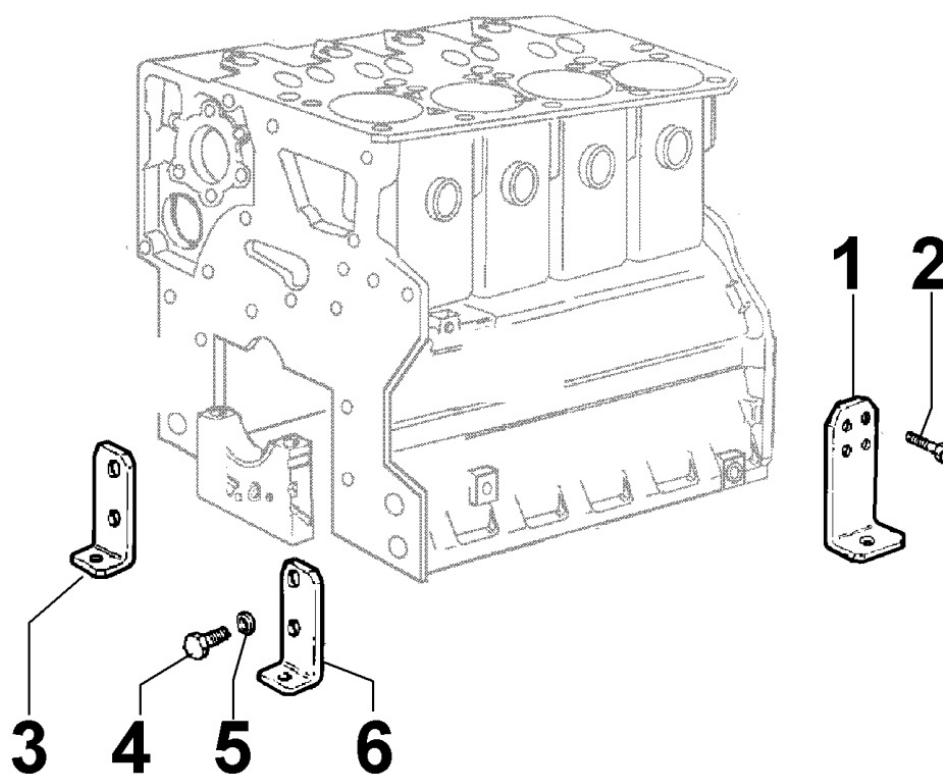


Pos	Kit	Included In	Code	Description	Qty	Old Code	Tech. Info
1			ED0045011600-S	GASKET FOR OIL SEALS FLYWEEL SIDE	1		
2	(A)		ED0037900800-S	FLANGE	1		⚠
3		(A)	ED0012133490-S	SEAL RING	1		⚠
4			ED0097300120-S	SOC HEAD CAP SCR M6X20L STEEL	8		



## 8025300010 - ENGINE MOUNTS

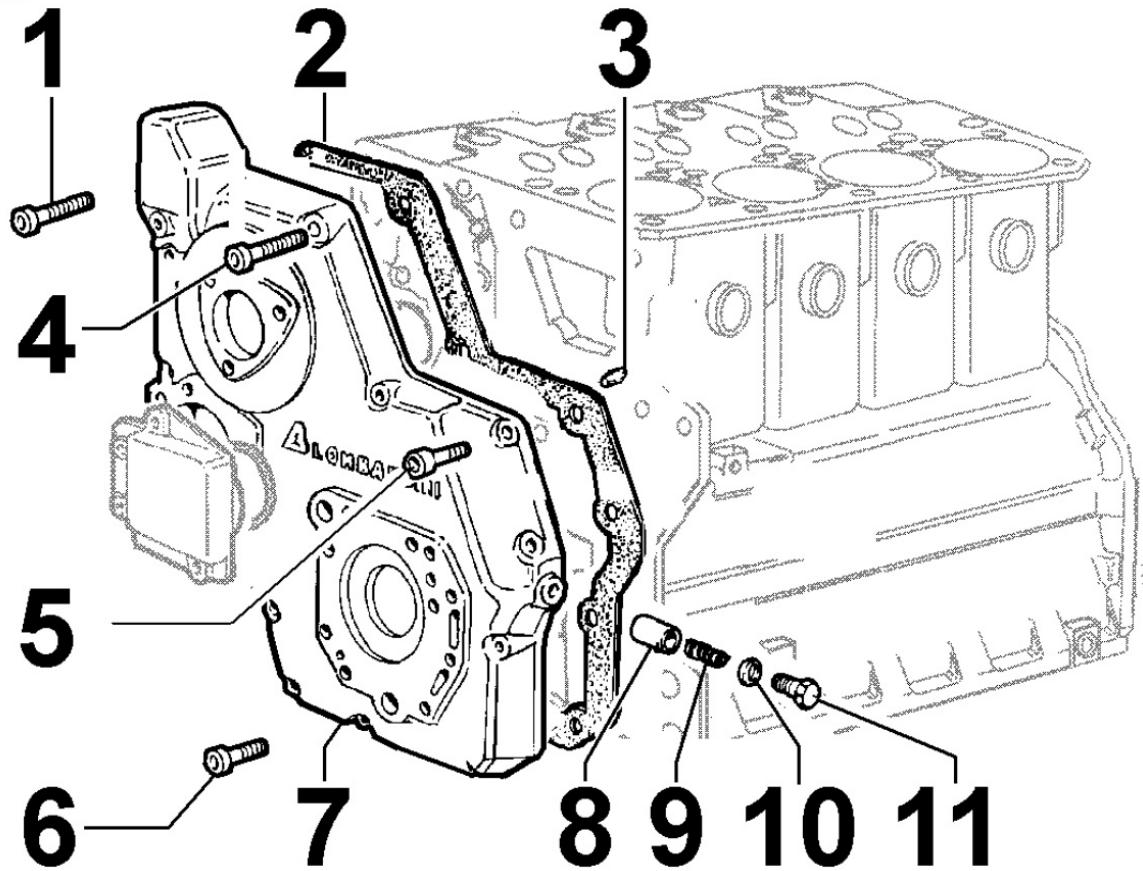
8 025 30



Pos	Kit	Included In	Code	Description	Qty	Old Code	Tech. Info
2			ED0017900370-S	BULLONE/BOLT 'N 10	8		

## 8027300010 - TIMING SYSTEM COVER

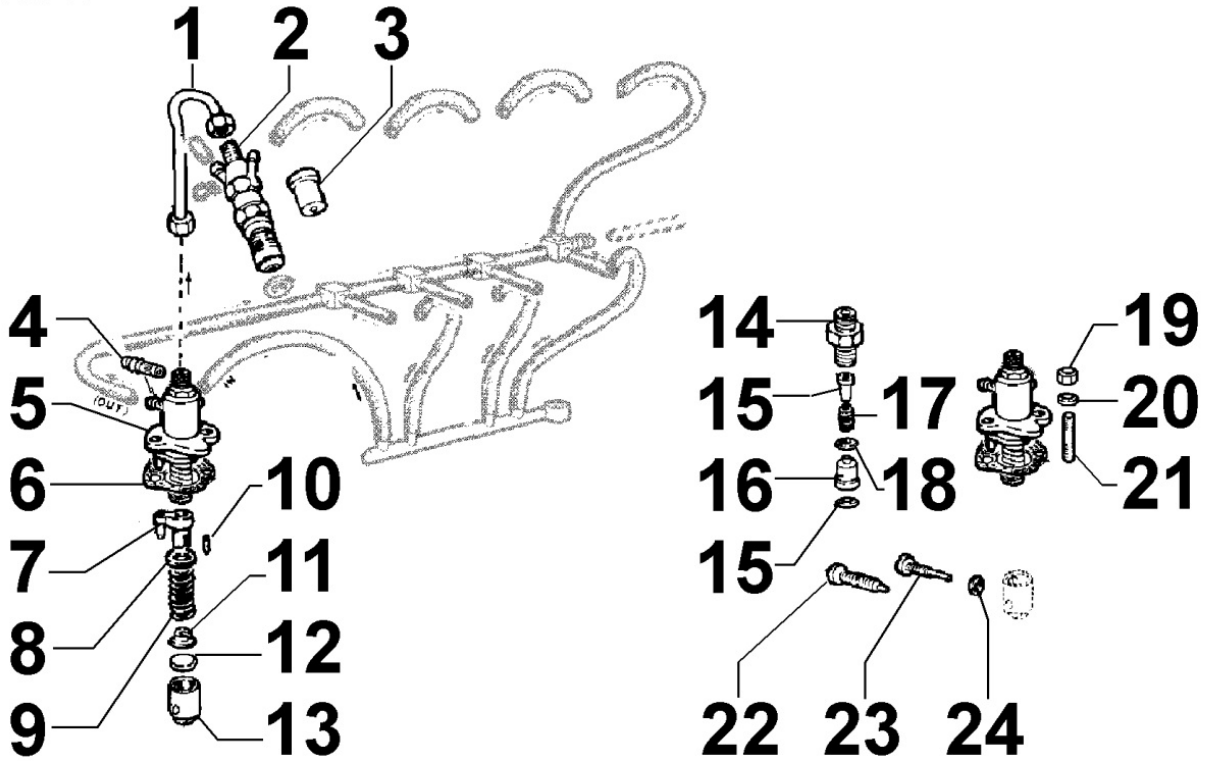
8 027 30



Pos	Kit	Included In	Code	Description	Qty	Old Code	Tech. Info
2			ED0046012050-S	GASKET FOR DISTRIBUTION SIDE SUPPORT	1		
3			ED0084600550-S	PIN	2		
4			ED0097320750-S	SCREW	2		
5			ED0097301000-S	SCREW SHCS M8X25-5931 8.8	2		
6			ED0097300310-S	SOC HEAD CAP SCR M8X40L 1	8		
7	(A)		ED0066580150-S	PORTINA/COVER N =<>	1		
8			ED0064950520-S	PLUNGER	1		
9			ED0056250100-S	SPRING	1		
10			ED0046700190-S	COPPER WASHER D22X16.2 1	1		
11			ED0090150060-S	CAP	1		

8030300020 - INJECTION SYSTEM

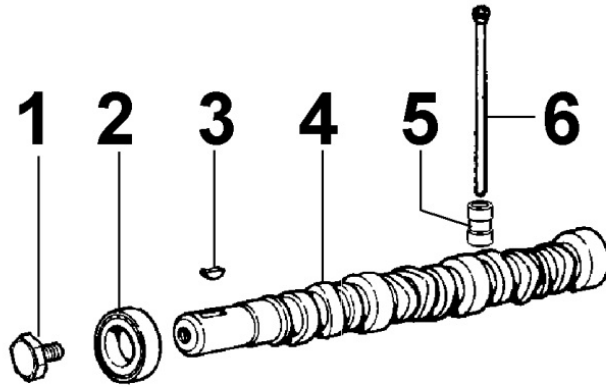
8 030 30



Pos	Kit	Included In	Code	Description	Qty	Old Code	Tech. Info
1			ED0093757390-S	FUEL TUBE	3		
2	(A)		ED0050100510-S	HOLDER	3	ED0050100030-S	⚠
3		(A)	ED0065314680-S	NOZZLE	3/4		⚠
5	(B)		ED0065903180-S	INJ.PUMP	3		
6			KDISC.		6	ED0045801520-S	
6			ED0045802300-S	GASKET FOR INJECTION PUMP CHD	3	ED0045801750-S	
6			ED0045802300-S	GASKET FOR INJECTION PUMP CHD	1	ED0045801090-S	
6			ED0045802300-S	GASKET FOR INJECTION PUMP CHD	1	ED0045801100-S	
6			KDISC.		1	ED0045801110-S	
12			ED0060000720-S	EXP.PLUG	3	ED0060000500-S	
12			ED0060000790-S	EXP.PLUG	3		
12			ED0060001200-S	SHIM 4.7MM	3	ED0060001070-S	
12			ED0060001150-S	SHIM 4.2MM	0		
12			ED0065903180-S	INJ.PUMP	3	ED0065902670-S	
13			ED0072150920-S	TAPPET	3		
13			ED0072151400-S	TAPPET	3		
19			ED0032401630-S	HEX FLANG HEAD NUT M8 RM	6		
20			ED0057150890-S	WASHER	6		
21			ED0067800050-S	STUD	6		
21			ED0097302670-S	VITE/SCREW SV C10	6		
22				805030...0			
23			ED0097302560-S	SCREW	2		
24			ED0046700010-S	COPPER WASHER D10/6.2 1THK	2		

8035300040 - CAMSHAFT

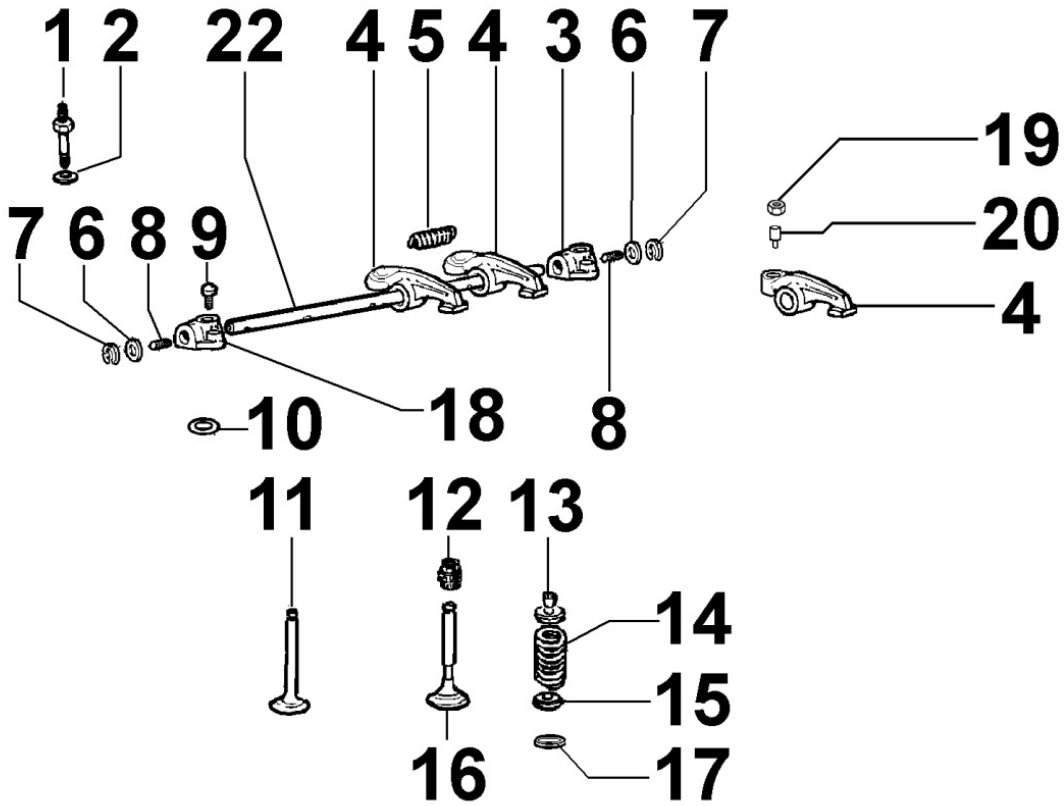
8 035 30



Pos	Kit	Included In	Code	Description	Qty	Old Code	Tech. Info
1			ED0017801040-S	BOLT	1		
2			ED0030010650-S	BEARING	1		
3			ED0022800440-S	KEY	1		
4			ED0010111530-S	CAMSHAFT	1		⚠
5			KDISC.		6	ED0072150670-S	
6			ED0014100900-S	PUSHROD	6		⚠

8036300010 - ROCKER ARMS / VALVES

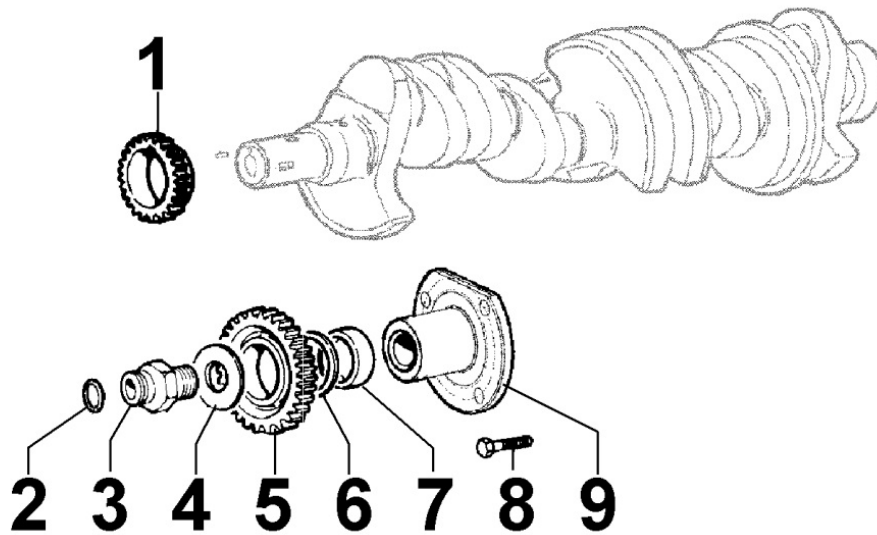
8 036 30



Pos	Kit	Included In	Code	Description	Qty	Old Code	Tech. Info
0			KDISC.		1	ED0097651630-S	
1			ED0098651450-S	FIXING SCREW	3		
2			ED0076251250-S	WASHER	3		
5		(A) (B)	ED0056150090-S	SPRING	2		
6		(A) (B)	ED0077011480-S	RONDELLA/WASHER 10	4		
7		(B)	ED0012400060-S	SNAP RING	2		
8		(A) (B)	ED0097650090-S	SCREW	2		
11			KDISC.		3	ED0096521040-S	
11			ED0096521520-S	INTAKEVAL.	3		▲
12			ED0045350150-S	VALVE STEM SEAL	6		▲
13			ED0064100980-S	CAP	6	ED0064000600-S	
14			ED0057550040-S	SPRING	6		
15			ED0034301410-S	DISK	6		
16			ED0096851450-S	EXH.VALVE	3	ED0096851080-S	▲
22	(A)		ED0043300460-S	R.A.ASS.Y	1		▲
22	(A)		ED0060450740-S	R.ARMSHAFT	1		▲

**8038300010 - TIMING SYSTEM**

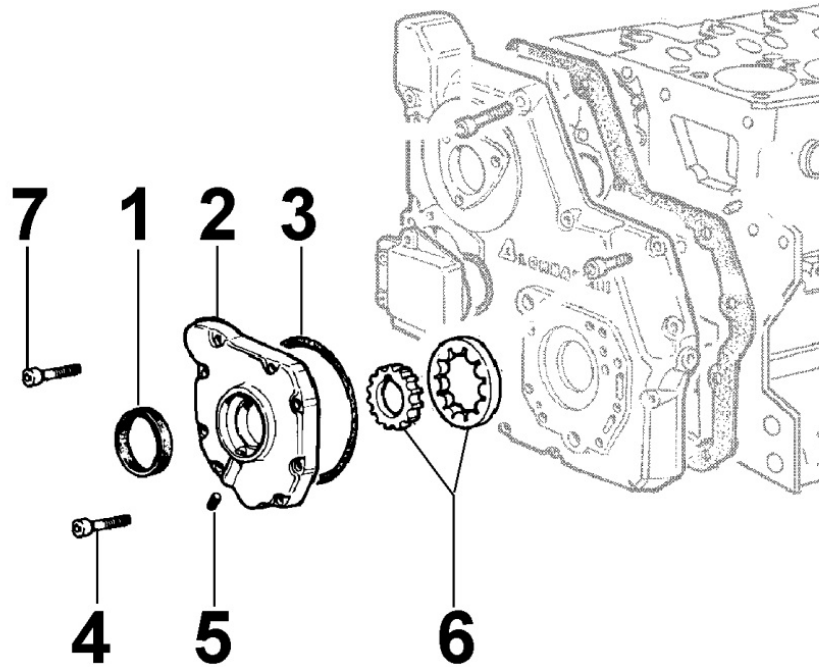
8 038 30



Pos	Kit	Included In	Code	Description	Qty	Old Code	Tech. Info
1			ED0049361670-S	GEAR	1		
2			ED0012002190-S	O RING	1		
3			ED0098201380-S	SCREW	1		
4			ED0012571560-S	THRUST BEARING	1		
5	(A)		ED0049361650-S	GEAR	1		
6			ED0012571570-S	THRUST BEARING	1		
7		(A)	ED0015801540-S	BUSHING	1		
8			ED0097320740-S	SOC HEAD SCR M8X20L UNI5931 ST	4		
9			ED0061300990-S	GEAR SHAFT	1		

## 8040300010 - OIL PUMP

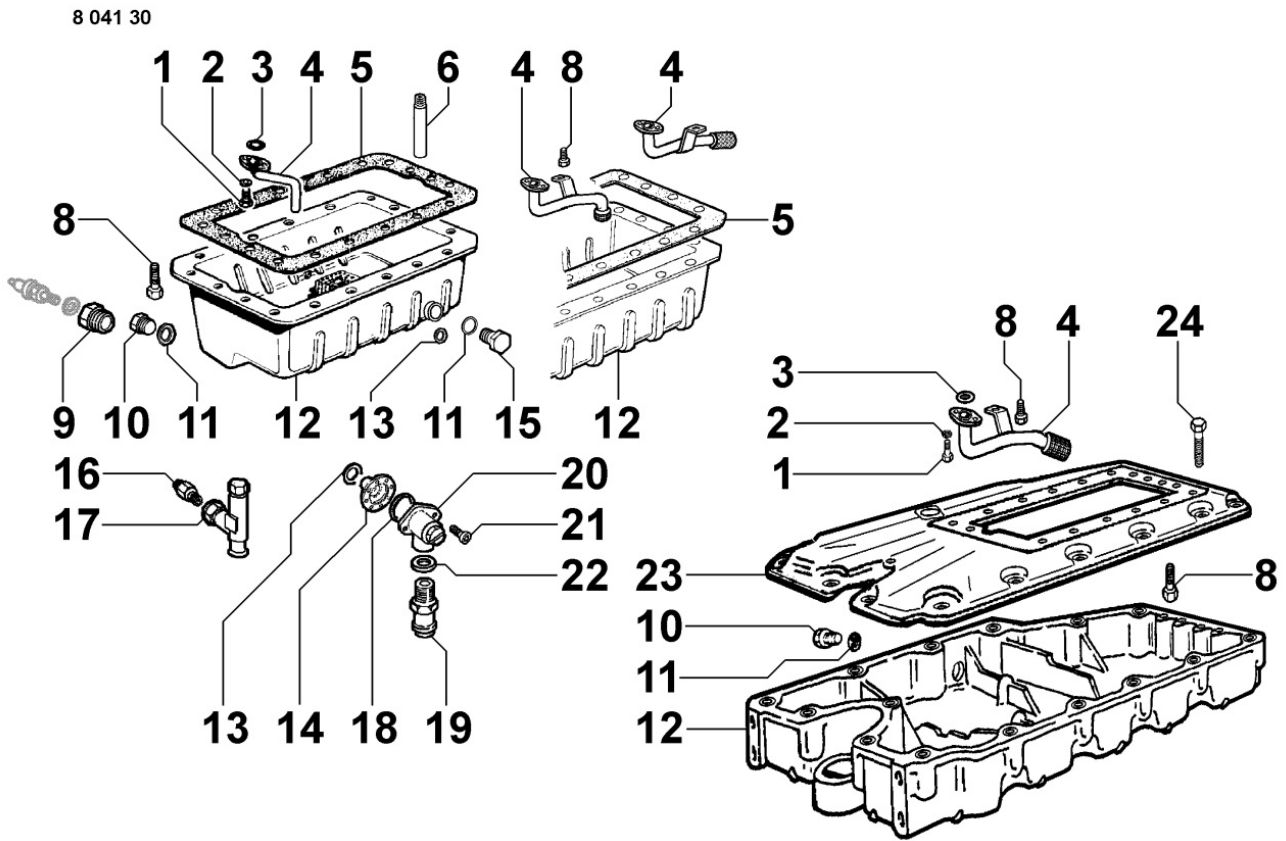
8 040 30



Pos	Kit	Included In	Code	Description	Qty	Old Code	Tech. Info
1		(A)	ED0012133480-S	SEAL RING	1		▲
2	(A)		ED0026500570-S	COVER	1		▲
3			ED0044311490-S	GASKET	1		▲
4			ED0097300120-S	SOC HEAD CAP SCR M6X20L STEEL	7		
5	(A)		ED0090802400-S	CAP	1		
6			ED0077501630-S	ROTOR	1	ED0077500810-S	
7			ED0097304160-S	SOCKET HEAD SCREW M6X20 WITH DRYLOC	2		



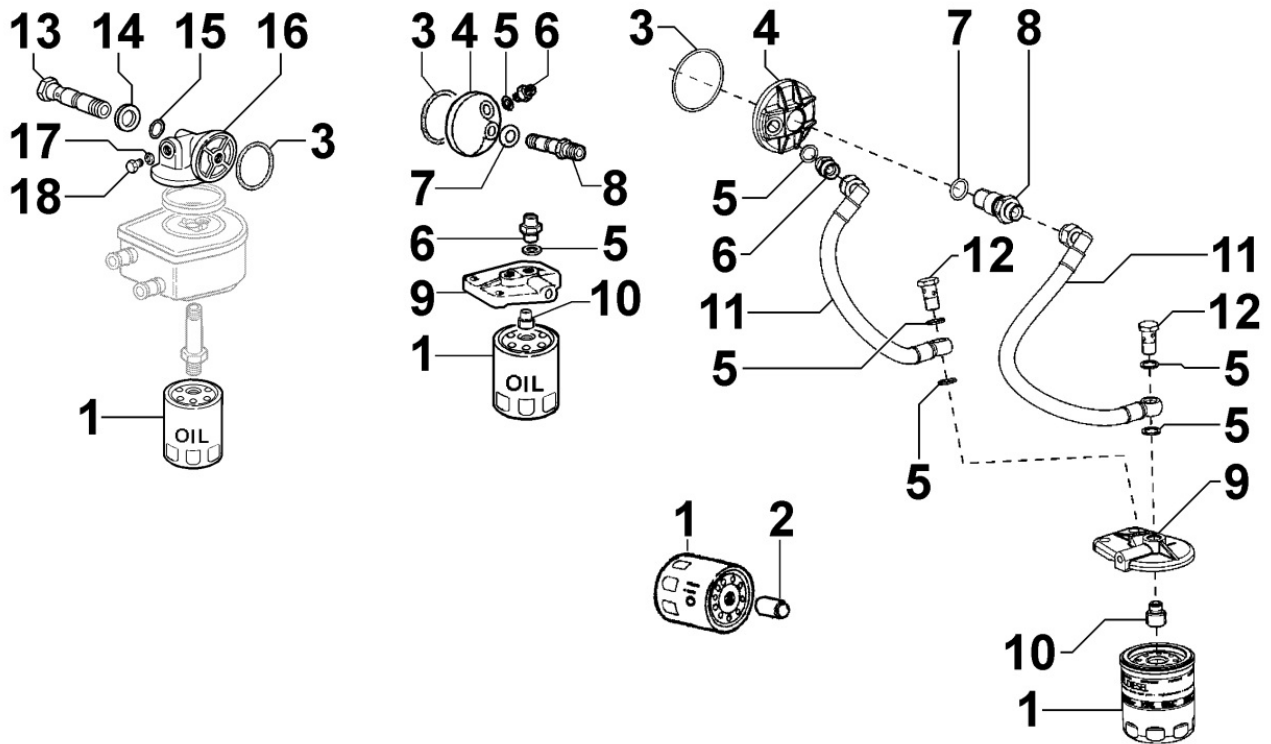
8041300010 - OIL PAN



Pos	Kit	Included In	Code	Description	Qty	Old Code	Tech. Info
1			ED0017600050-S	HEX BOLT M6X16L 8.8	2		
2			ED0075650040-S	SPRING WASHER D11.1/6.1 1.3 TH	2		
3			ED0012002260-S	O RING	1		
4			ED0093201360-S	TUBE	1		
5			ED0046010670-S	GASKET	1		
8			ED0017701600-S	HEX FLANG HEAD M8x16-8G+ZN.B	18		
10			ED0090400350-S	OIL DRAIN PAN	1		
11			ED0046700880-S	CUPPER WASHER 18X24X1	1		
12			ED0066455620-S	OIL PAN	1		▲



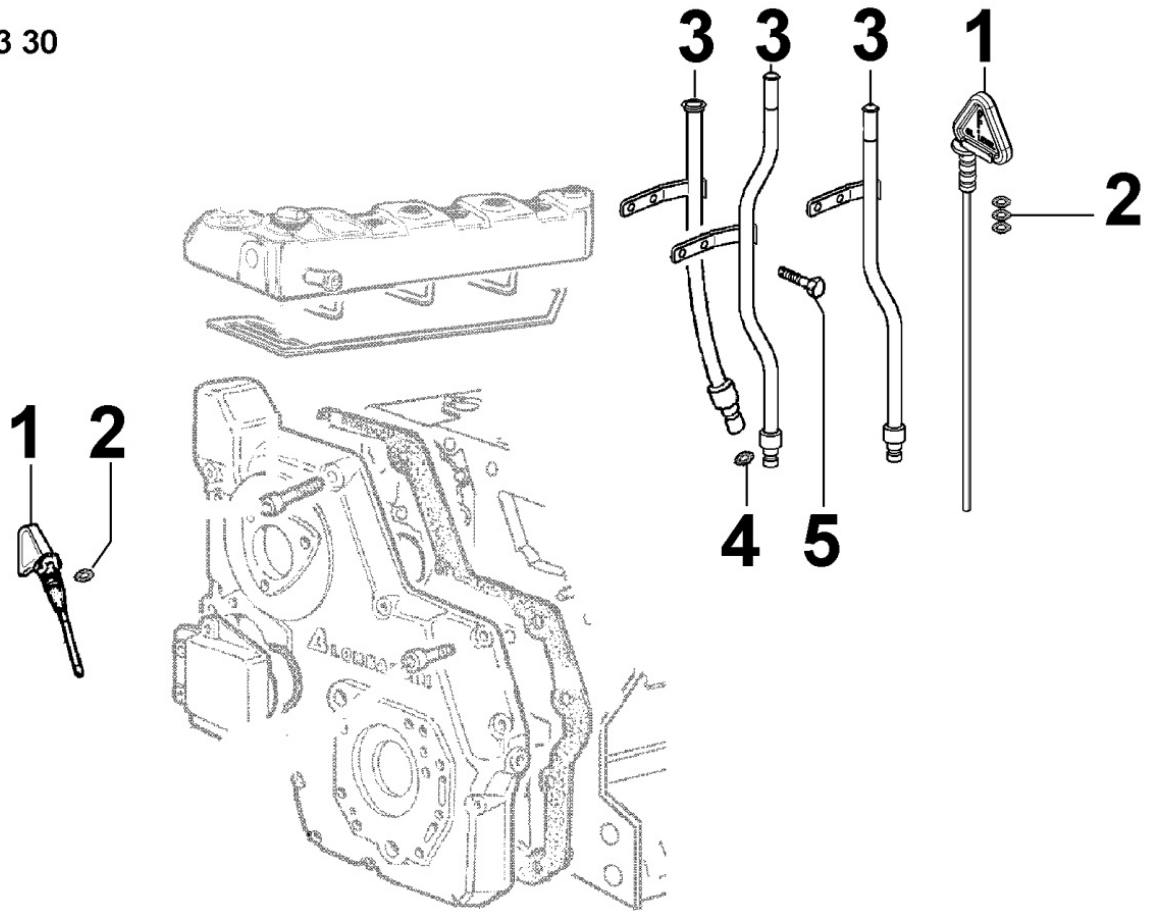
8042300020 - OIL FILTER



Pos	Kit	Included In	Code	Description	Qty	Old Code	Tech. Info
1			ED0021752850-S	OIL FILTER CARTRIDGE	1	ED0021751310-S	
2			ED0072650210-S	OIL FILTER CONNECTION	1		

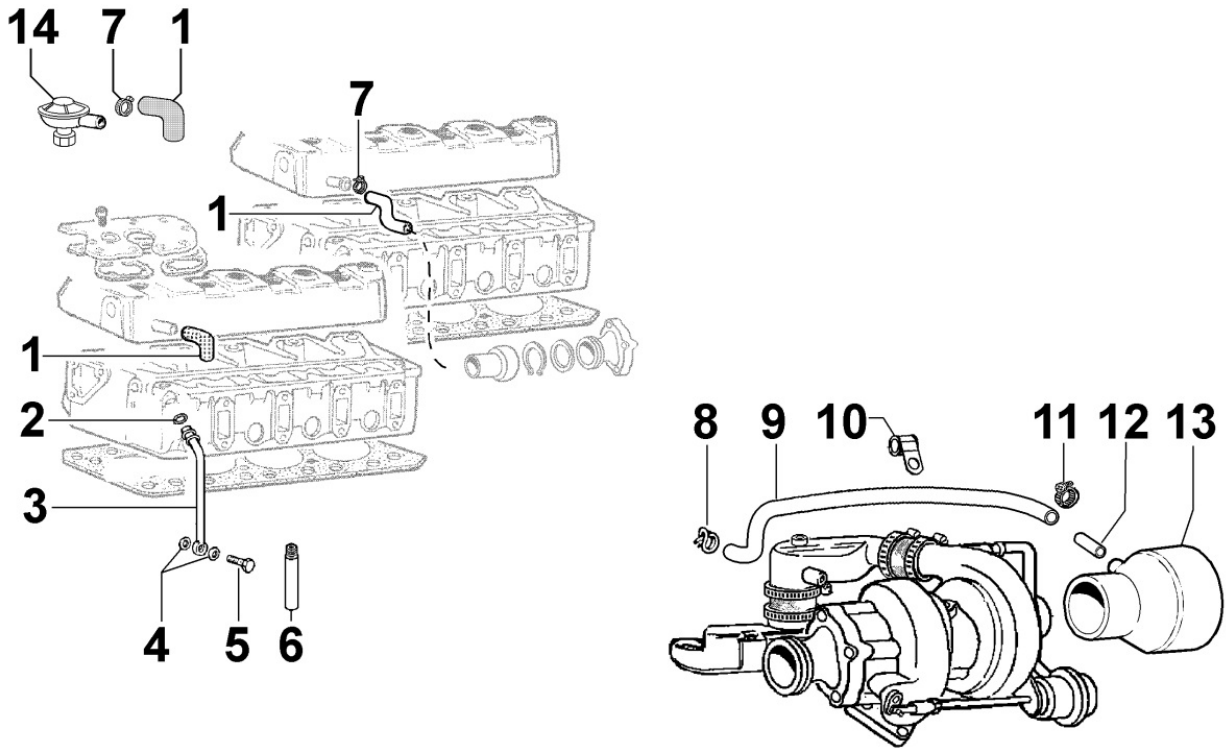
8043300010 - OIL DIPSTICK


8 043 30



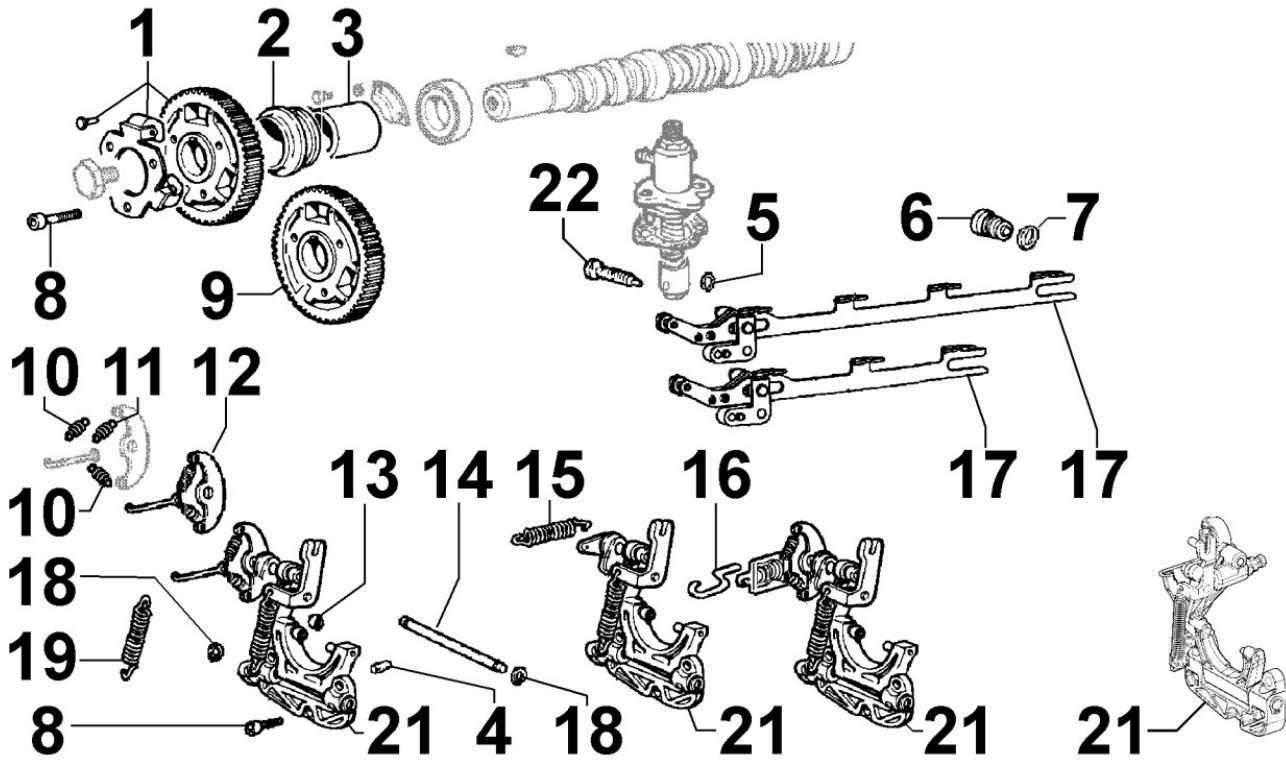
Pos	Kit	Included In	Code	Description	Qty	Old Code	Tech. Info
1	(A)		ED0014002130-S	DIPSTICK	1		
2		(A)	ED0012002660-S	O RING	2		
2		(A)	ED0012003250-S	O RING	3		

8045300010 - BREATHER SYSTEM



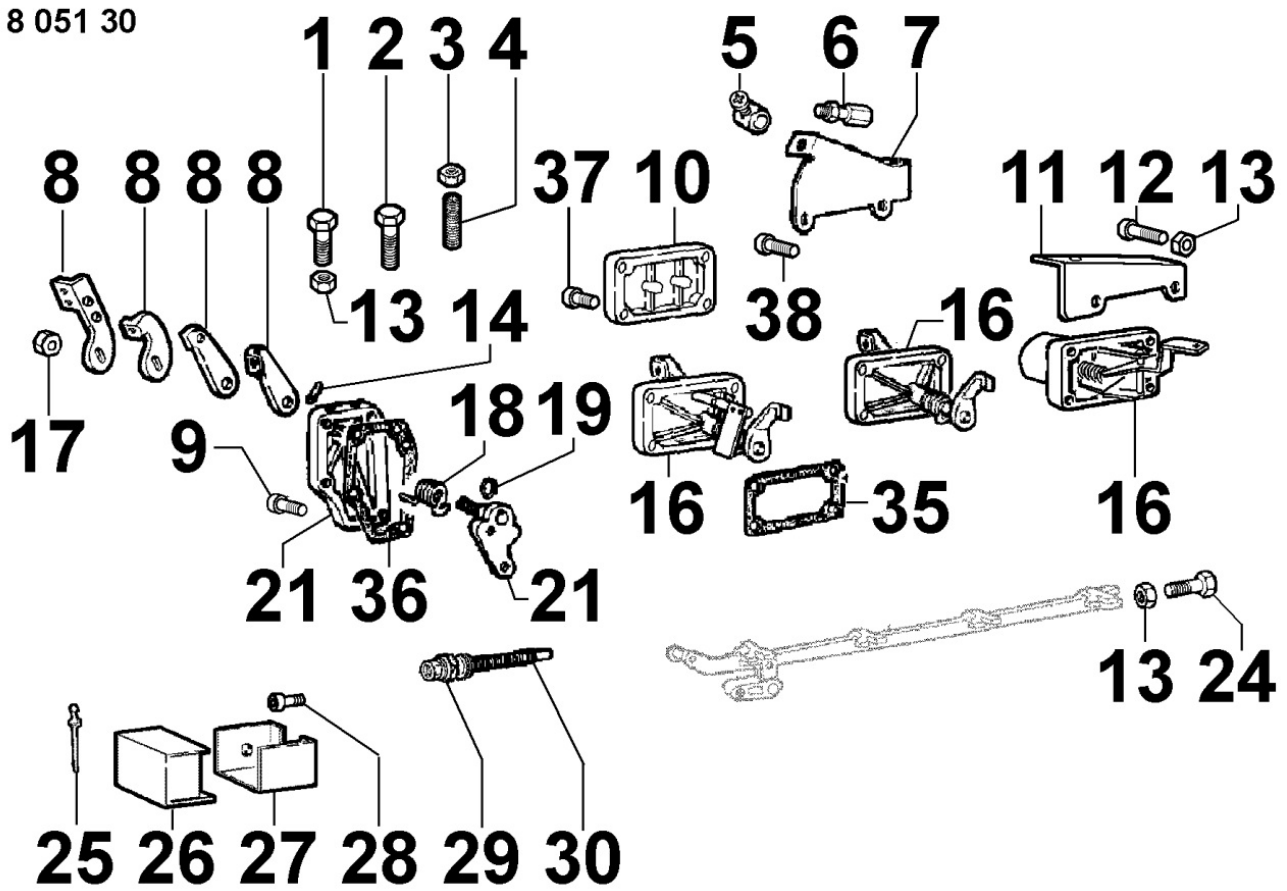
Pos	Kit	Included In	Code	Description	Qty	Old Code	Tech. Info
0			ED0017600030-S	SCREW 6X12-5739-8G+ZN.B	1		
0			ED0076250620-S	WASHER	1		
6			ED0095800320-S	TUBE	1		
9			ED0094000620-S	SUCTION LINE	1		
10			ED0036170890-S	CALMP 20	1		

8050300010 - SPEED GOVERNOR



Pos	Kit	Included In	Code	Description	Qty	Old Code	Tech. Info
0			ED0032030480-S	NUT M 6X1 H=5,5 ACC.6S+ ZN.b	1		
1			ED0073623280-S	GOVERNOR	1		
1			ED0073620020-S	GOVER. WITH LIGHT MASS.(SINT.)	3	ED0054961300-S	
2			ED0020861220-S	BELL	1		
3			ED0034950460-S	SPACER	1		
4			ED0084600550-S	PIN	2		
5			ED0076251240-S	WASHER	1		
6			ED0041901030-S	RING NUT	1		
7			ED0046700210-S	GASKET	1		
8			ED0097300100-S	SOC HEAD CAP SCR M6X16L STEEL	3		
10		(A) (B)	ED0056551290-S	SPRING	1		
10		(A) (B)	ED0056551350-S	SPRING	1		
12			ED0015410250-S	ROCKERARM	1		
12	A		ED0015412010-S	BILANCIERE REGOLATORE COMPLETO DI MOLLE	1		
13			ED0019702030-S	SLEEVE	2		
14		(B)	ED0061404080-S	PERNO LEVA/LEVER S. D	1		
17			ED0013801080-S	CONNECTING ROD PUMPS 1603	1		
18		(B)	ED0012400020-S	EXT. CIRCLIP D8/7.6 0.8	2		
19		(B)	ED0058012080-S	SPRING	1		
21	B		ED0052009060-S	GOV.LEVER 3000 R.P.M.	1		
22			ED0097301980-S	SCREW	1		

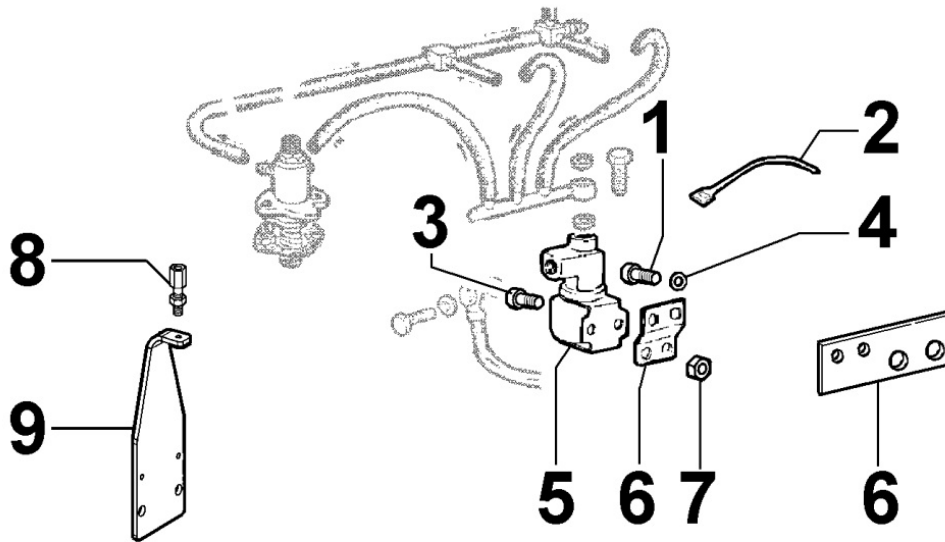
8051300150 - CONTROLS



Pos	Kit	Included In	Code	Description	Qty	Old Code	Tech. Info
1			ED0017600280-S	BOLT	2		
5			ED0058301190-S	CONNECTOR 'FV C10	2		
6			ED0091801930-S	END	2		
7			ED0050600080-S	PANEL	1		
8			ED0052001080-S	LEVER	1		
9		(A) (B)	ED0012000520-S	O RING	2		
15			ED0097301070-S	VITE TCEI 6X14-5931-8G+ZN.B	2		
16	(B)		ED0025161050-S	CONTROL	1		
18		(A) (B)	ED0056801260-S	MOLLA/SPRING N 10	1		
21	(A)		ED0025161650-S	CONTROL	1		
29			KDISC.		1	ED0085760750-S	
35			ED0044312050-S	GASKET FOR STOP COMMAND COVER	1	ED0044311530-S	
36			ED0044312060-S	GASKET FOR COMMAND AND REGULATOR COVER	1		
37			ED0097300090-S	VITE TCEI 6X12 Uni5931 12.9+DA	8		

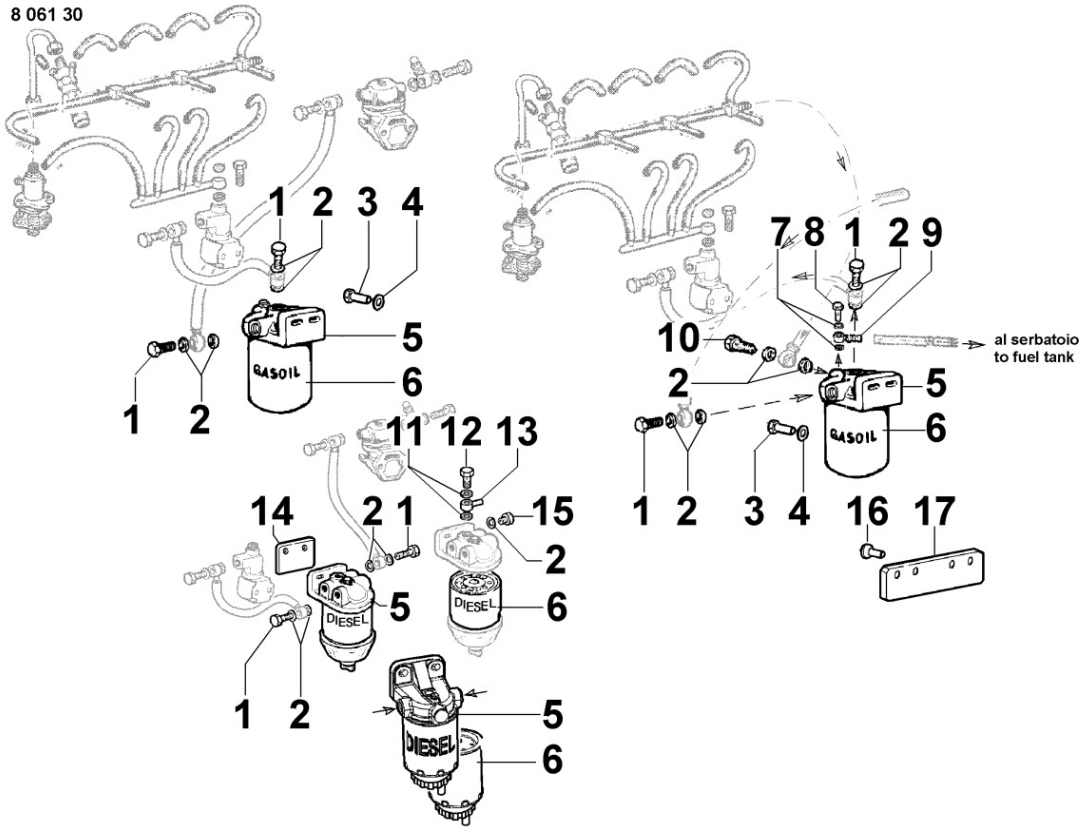
## 8052300040 - ELECTROVALVE

8 052 30



Pos	Kit	Included In	Code	Description	Qty	Old Code	Tech. Info
1			ED0017600030-S	SCREW 6X12-5739-8G+ZN.B	2		
2			ED0024710060-S	NYLON COLLAR	1		
3			ED0097300080-S	SCREW 6X10-5931-8.8+Zn.B	2		
4			ED0076250620-S	WASHER	2		
5			ED0035871420-S	EL. VALVE	1		
6			ED0089003270-S	SUPPORT	1		
7			ED0032030500-S	SELF LOCKING NUT M6 X 1	2		

8061300010 - FUEL FILTER

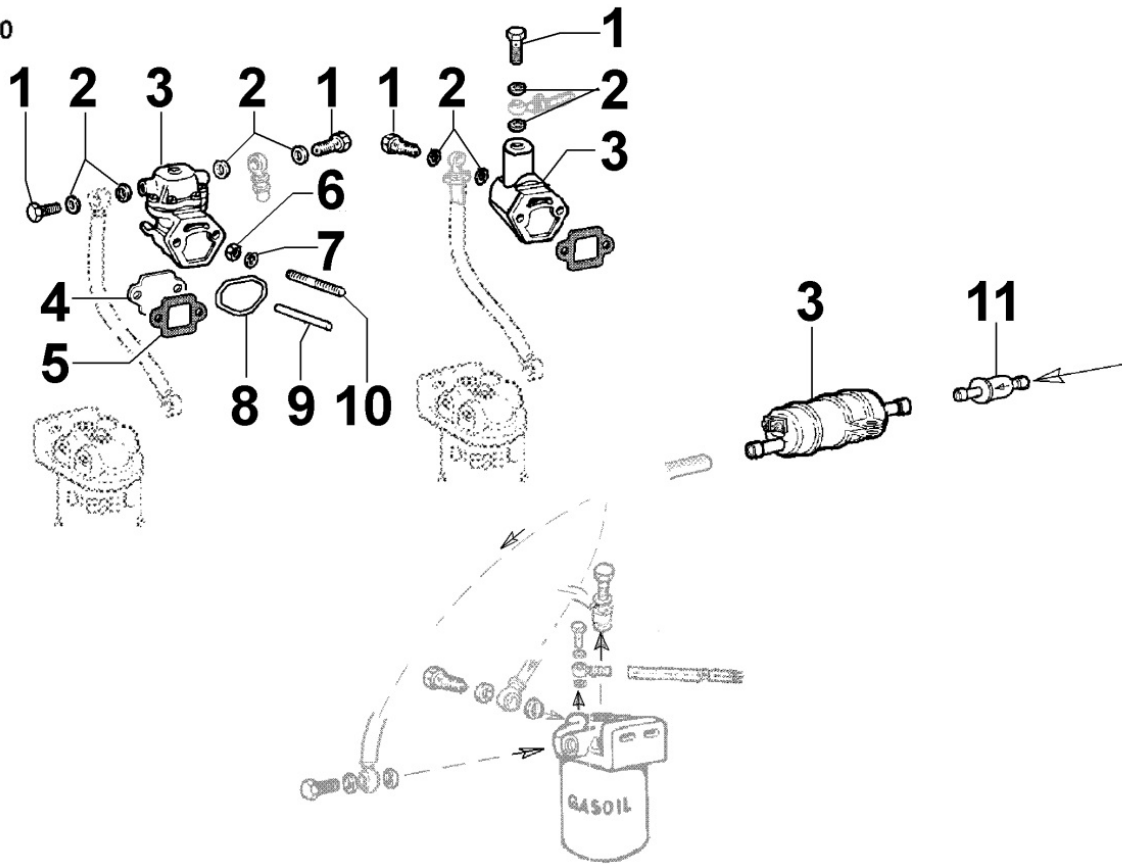



Pos	Kit	Included In	Code	Description	Qty	Old Code	Tech. Info
1			ED0019010320-S	Banjo bolt 14X1	2		
2			ED0046700610-S	COPPER WASHER D19/14.2 1.5 THK	4		
3			ED0017800310-S	VITE TE.10X25-5739-8G+ZN.B	1		
4			ED0076250200-S	PLAIN WASHERS 10,5X21X2	1		
5	(A)		ED0037301530-S	FUEL FIL.	1		
6		(A)	ED0021752860-S	FUEL FILTER CARTRIDGE	1	ED0021750460-S	



8062300020 - FUEL FEED PUMP

8 062 30

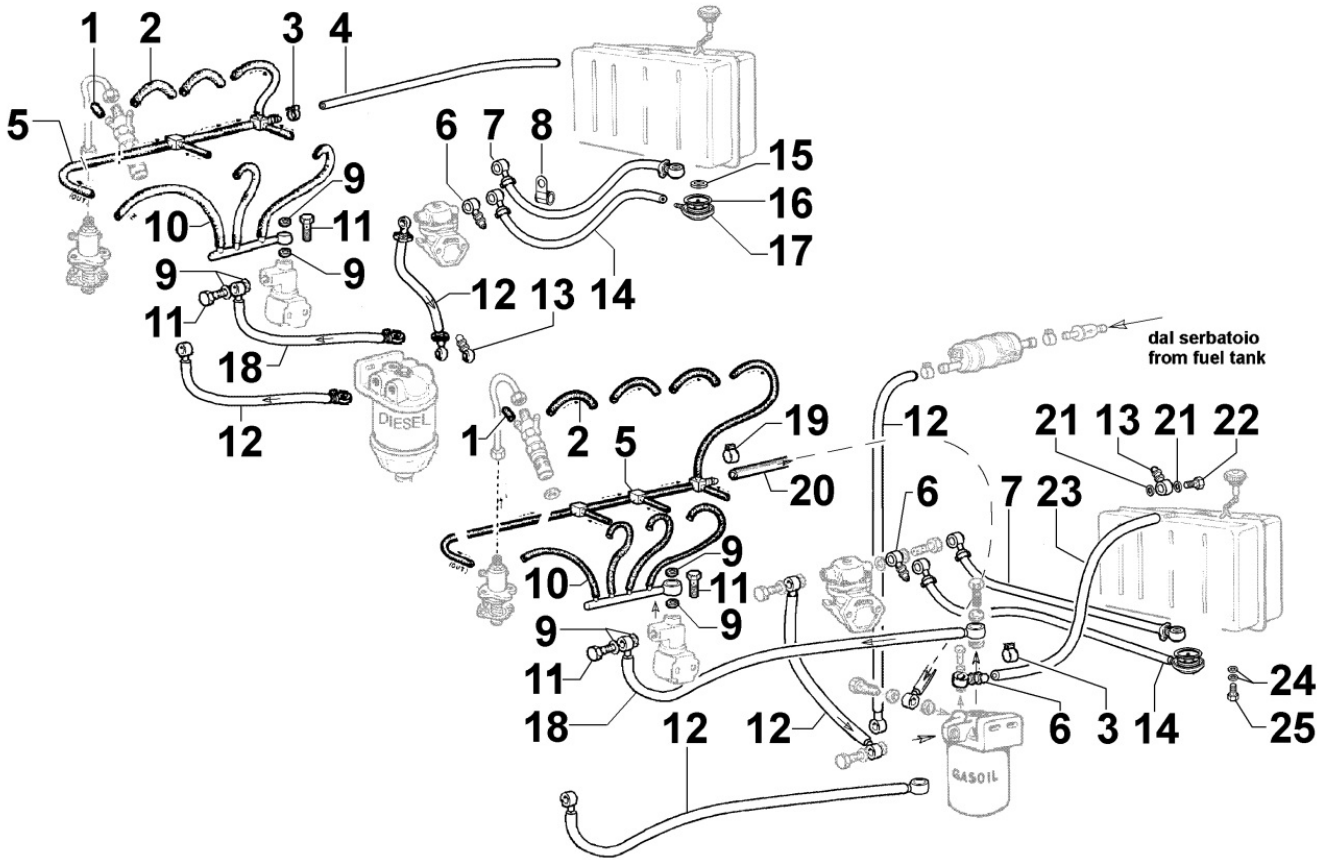


Pos	Kit	Included In	Code	Description	Qty	Old Code	Tech. Info
1			ED0019011930-S	UNION BOLT M 10	2	ED0019010300-S	
2			ED0046700590-S	COPPER WASHER D14/10.2 1.	4		
3			ED0065851390-S	FEED PUMP WITH FILTER	1	ED0065850660-S	
3			ED0065850950-S	FEED PUMP	1		
6			ED0032401640-S	NUT	2	ED0032030470-S	
7			ED0075550290-S	BEL WASHER D15/8.4 0.8 T	2		
7			ED0075650070-S	SPRING WASHER D14.2/8.2	2		
8			ED0012000870-S	O-RING	1		
9			ED0072000780-S	DRIVE ROD	1		
10			ED0067800490-S	*STUD M8X20	2		



8064300040 - FUEL LINES

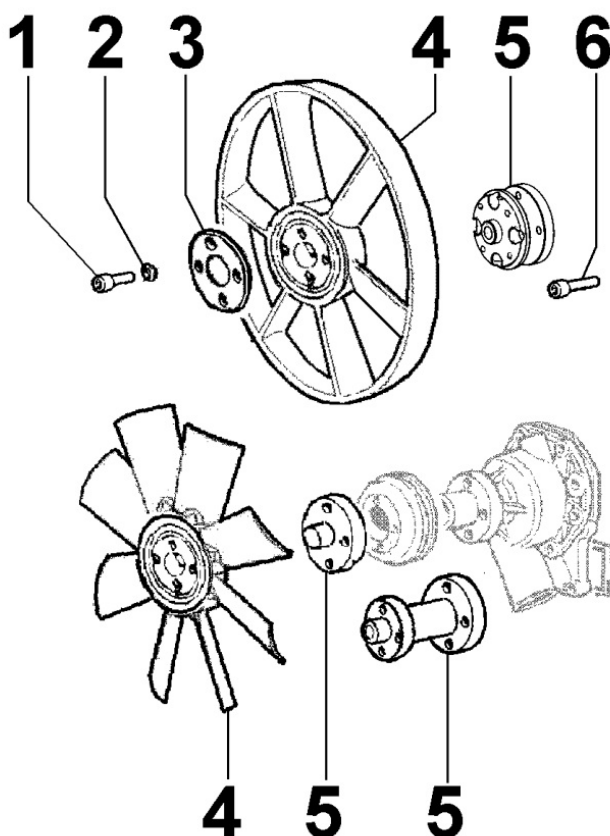
8 064 30



Pos	Kit	Included In	Code	Description	Qty	Old Code	Tech. Info
0			KDISC.		1	ED0073011120-S	
1			ED0090802620-S	CAP	1		
2			ED0095710910-S	WASTELINE	2		
5			ED0095711570-S	WASTELINE	1		
6			ED0072701380-S	BANJO D.10	1		
9			ED0046700590-S	COPPER WASHER D14/10.2 1.	3		
10			ED0093756380-S	FUEL TUBE	1		
11			ED0019011930-S	UNION BOLT M 10	2		
12			ED0093758530-S	FUEL HOSE 10/14 6X12 L=1000	2		
13			ED0072701070-S	RACCORDO ORIENTABILE D.14	1		

8071300010 - COOLING FAN

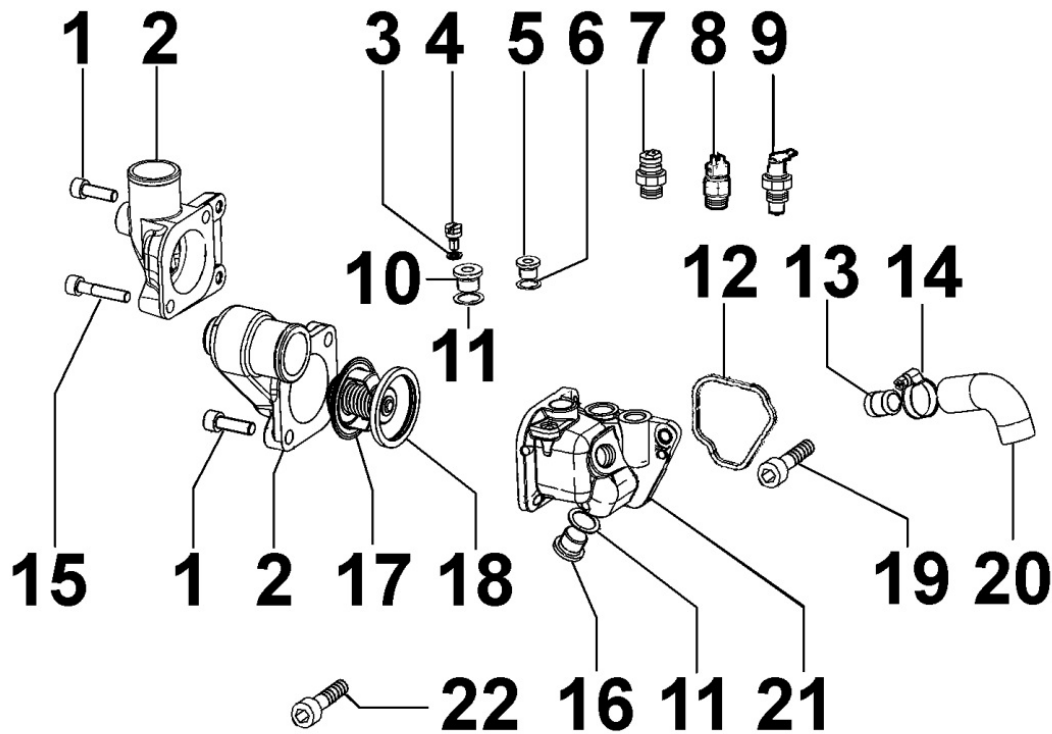
8 071 30



Pos	Kit	Included In	Code	Description	Qty	Old Code	Tech. Info
1			ED0097300120-S	SOC HEAD CAP SCR M6X20L STEEL	4		
2			ED0076250620-S	WASHER	4		

## 8074300250 - THERMOSTAT UNIT

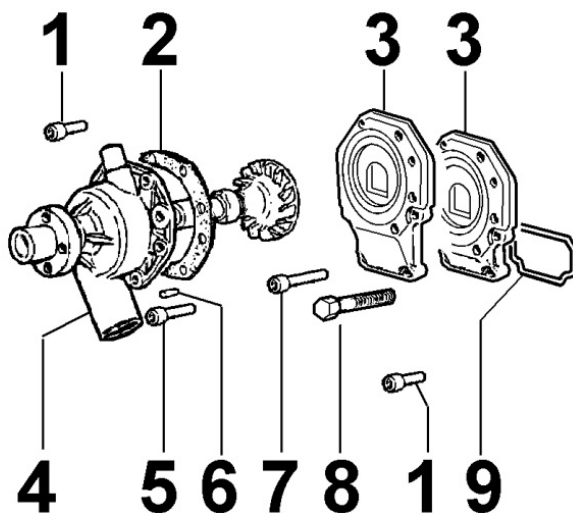
8 074 30



Pos	Kit	Included In	Code	Description	Qty	Old Code	Tech. Info
1		(A)	ED0097301000-S	SCREW SHCS M8X25-5931 8.8	1		
2		(A)		POS. 21			
3		(A)	ED0046700010-S	COPPER WASHER D10/6.2 1THK	1		
4		(A)	ED0090800370-S	TAPPO DISAREAZIONE	1		
6			ED0046700610-S	COPPER WASHER D19/14.2 1.5 THK	1		
7			ED0091950770-S	TERMOSTATO SPIA TEMP.H20 M16	1		
10		(A)	ED0090400310-S	HEX PLUG M16X1.5 DIN 908 + ZNB	1		
11		(A)	ED0046700190-S	COPPER WASHER D22X16.2 1	1		
11		(A)	ED0046700190-S	COPPER WASHER D22X16.2 1	1	ED0044800110-S	
12			ED0012002390-S	O RING	1		
13		(A)	ED0072850240-S	UNION	2		
14			ED0036301470-S	CLAMP d.12-22 SX9C W2	1		
15		(A)	ED0097300310-S	SOC HEAD CAP SCR M8X40L 1	1		
16			ED0089650070-S	CAP	1		
17		(A)	ED0091950010-S	THERMOSTAT VALVE ASSEMBLY CHD	1	ED0091950920-S	
18		(A)	ED0044201220-S	GASKET FOR THERMOSTATICS VALVE	1		
19			ED0097302670-S	VITE/SCREW SV C10	1		
20		(A)	ED0093050190-S	HOSE	1		
21	A		ED0048966780-S	THERMOSTAT	1	ED0048962280-S	
22			ED0097320740-S	SOC HEAD SCR M8X20L UNI5931 ST	1		

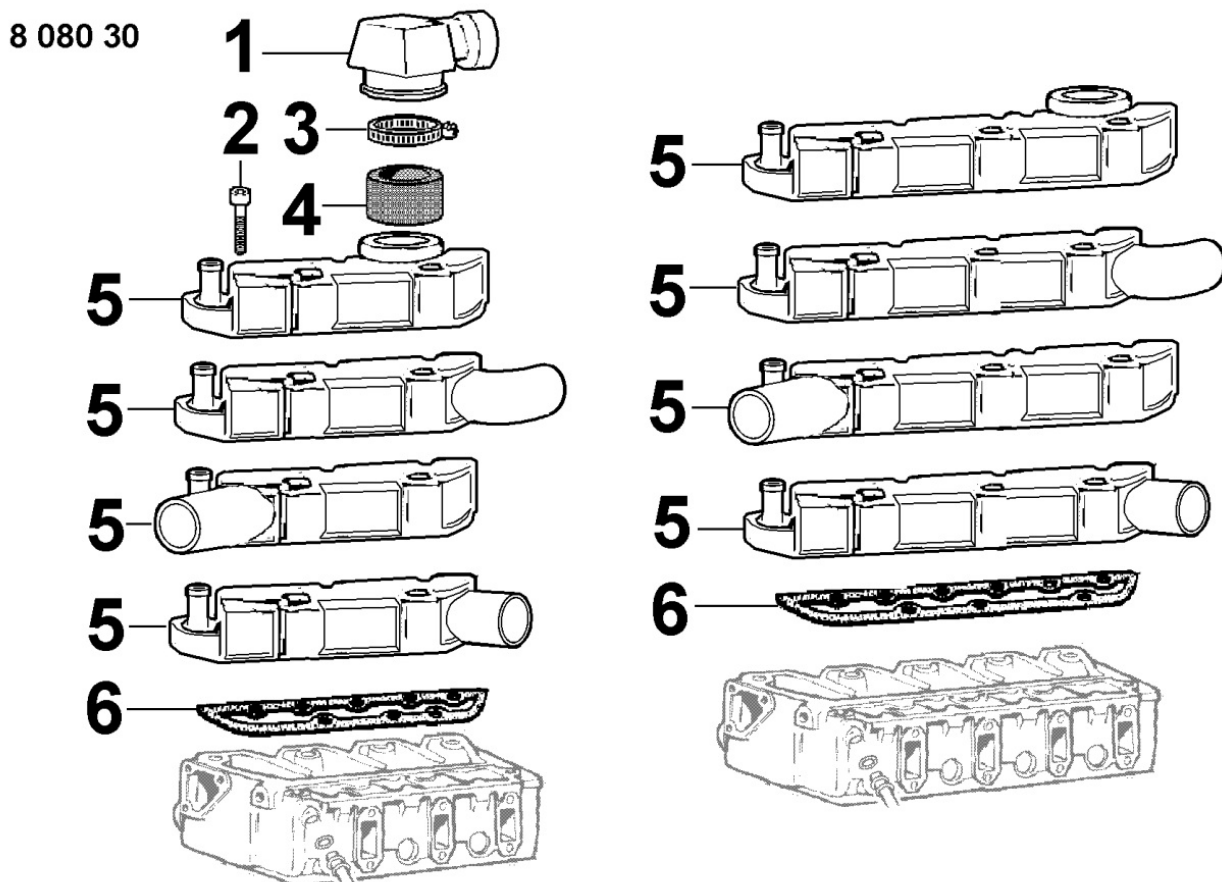
## 8077300090 - COOLANT PUMP

8 077 30 015 0 Pompa acqua  
Water pump



Pos	Kit	Included In	Code	Description	Qty	Old Code	Tech. Info
0			ED0089650070-S	CAP	1		
0			ED0046700190-S	COPPER WASHER D22X16.2 1	1	ED0044800110-S	
1			ED0097301000-S	SCREW SHCS M8X25-5931 8.8	7		
2			ED0045801220-S	GASKET	1		▲
3		(A)		pos. 4			
4	(A)		ED0065844450-S	WATER PUMP	1	ED0088361760-S	▲
4				KDISC.	1	ED0065844080-S	
4			ED0065844450-S	WATER PUMP	1		▲
5			ED0097320640-S	SOC HEAD SCREW M8x30-5931.8G+Zn.B	1		
6			ED0084300550-S	TAPER PIN	1		
8			ED0097320370-S	VITE TCEI 10X40-5931.8G+Zn.B	1		
9			ED0012001160-S	O RING	1		

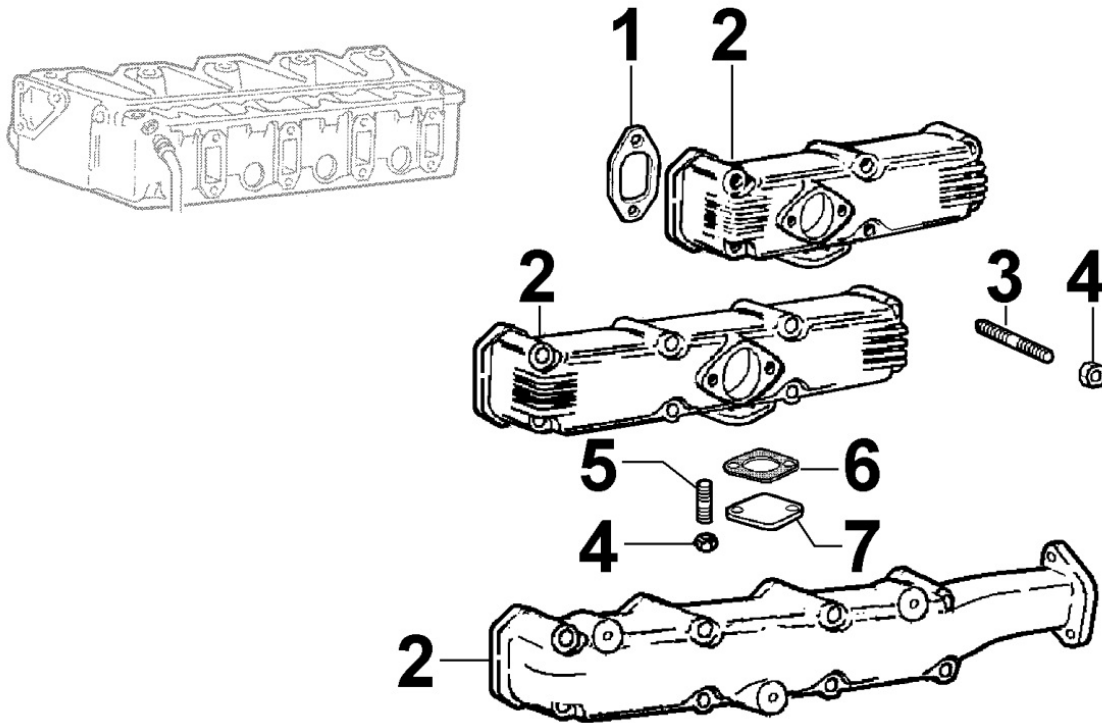
## 8080300070 - AIR INLET MANIFOLD / AIR FILTER



Pos	Kit	Included In	Code	Description	Qty	Old Code	Tech. Info
1			ED0093650180-S	TUBE COMPLETE FOR INTAKE COLLECTOR	1	ED0093650150-S	
2			ED0097300350-S	SOC HEAD SCREW M8X65-5931.8G+ZN.B	5		
3			ED0036301530-S	HOSE CLAMP	1		
4			ED0047400460-S	GASKET	1		
5			KDISC.		1	ED0024862810-S	
6			ED0044200840-S	GASKET	1	ED0044200440-S	

**8085300060 - EXHAUST GAS MANIFOLD**

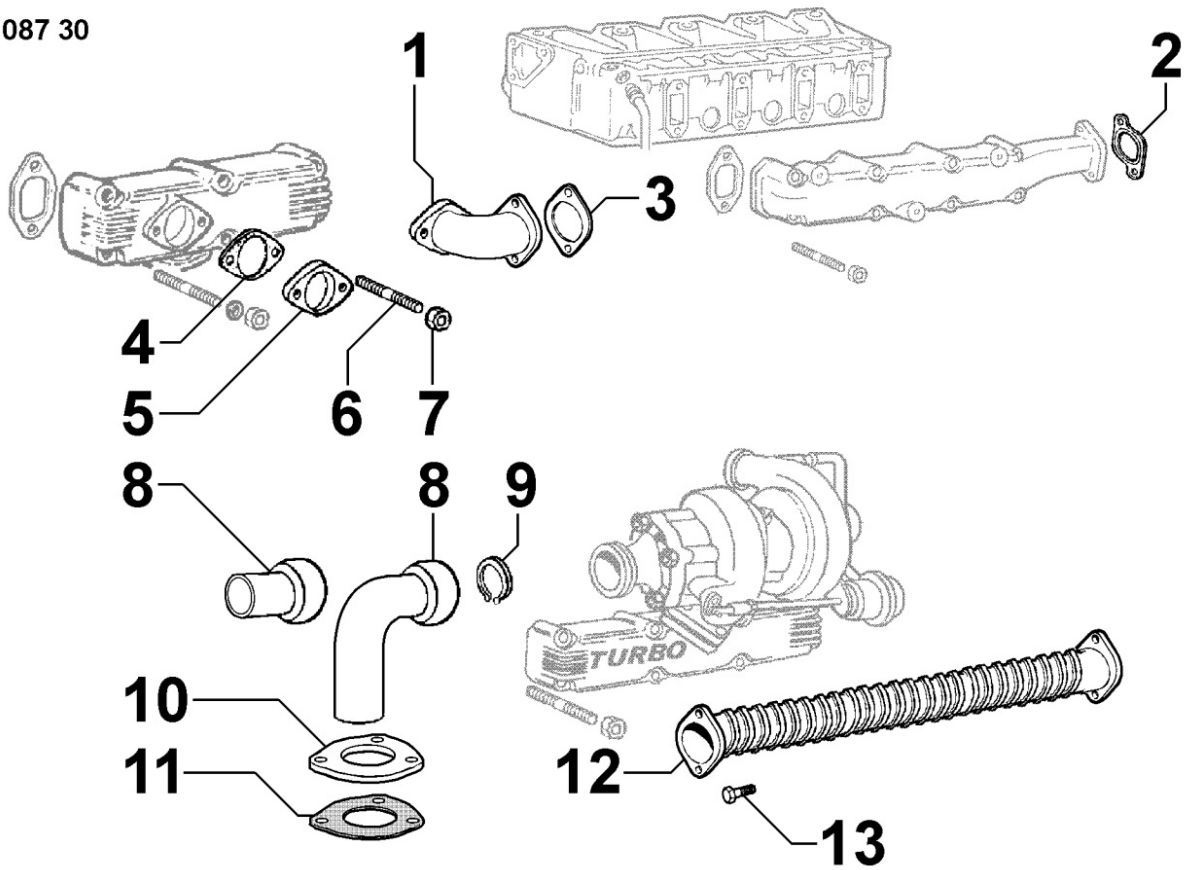
8 085 30



Pos	Kit	Included In	Code	Description	Qty	Old Code	Tech. Info
1			ED0044200710-S	GASKET	3		
2			ED0024860040-S	EXH. MANIF. LDW1603 TWO OUT.	1	ED0024862980-S	
3			ED0067800280-S	STUD M8X55 UNI5911 ACC.C40 Zn	6		
4			ED0032401630-S	HEX FLANG HEAD NUT M8 RM	8		
5			ED0067801710-S	STUD M8x22	2		
6			ED0045011180-S	GASKET	1		
7			ED0063000180-S	PLATE	1		

8087300070 - EXHAUST GAS ACCESSORIES

8 087 30

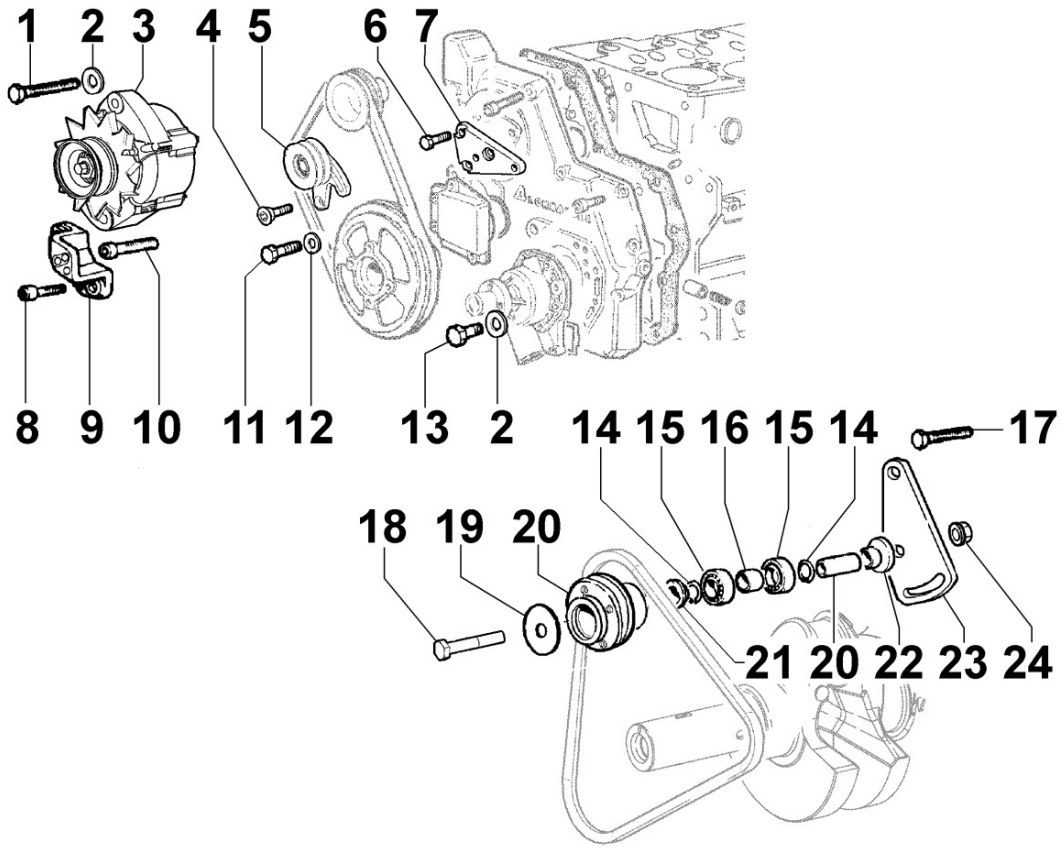


Pos	Kit	Included In	Code	Description	Qty	Old Code	Tech. Info
4			ED0045011180-S	GASKET	1		
5			ED0038150130-S	FLANGE	1		
6			ED0067801710-S	STUD M8x22	2		
7			ED0032401630-S	HEX FLANG HEAD NUT M8 RM	2		



8100300040 - VOLTAGE ALTERNATOR

8 100 30

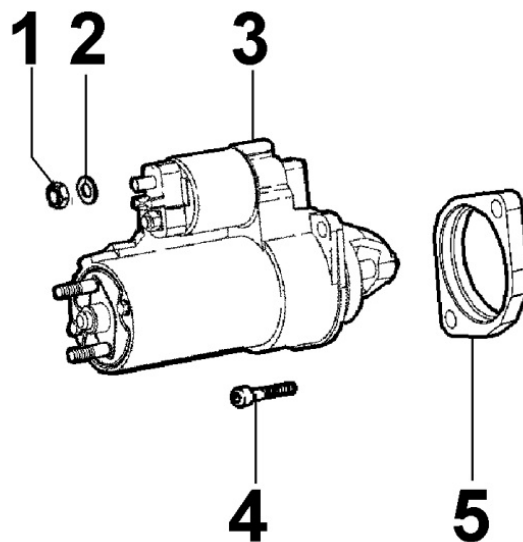


Pos	Kit	Included In	Code	Description	Qty	Old Code	Tech. Info
1			ED0017800270-S	BOLT	2		
2			ED0076252560-S	RONDELLA PIANA D.10X25,5X3	2		
3			ED0011573600-S	ALTERNATOR 14V-45A ISKRA	1	ED0011572690-S	
8			ED0097301000-S	SCREW SHCS M8X25-5931 8.8	2		
9			ED0087250520-S	SUPPORT	1		
10			ED0097300310-S	SOC HEAD CAP SCR M8X40L 1	1		



## 8101300010 - STARTING MOTOR

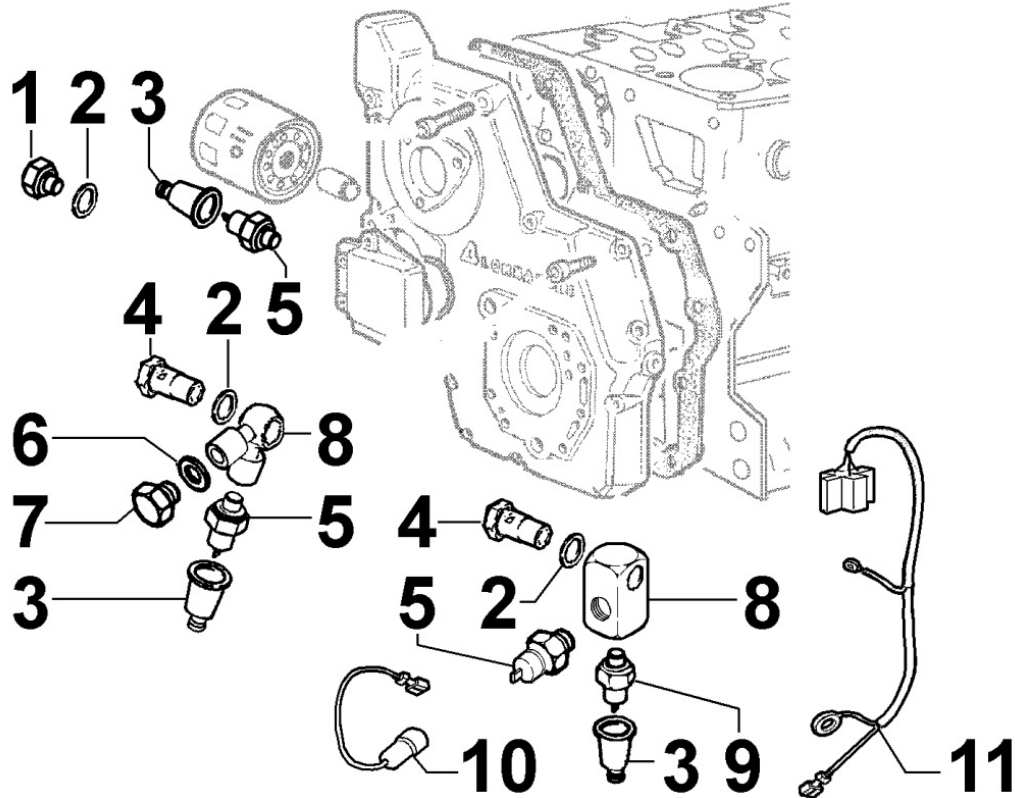
8 101 30



Pos	Kit	Included In	Code	Description	Qty	Old Code	Tech. Info
1			ED0032400180-S	HEX NUT M8 1.25P STEEL 8	1		
2			ED0075650070-S	SPRING WASHER D14.2/8.2	1		
3			ED0058402810-S	STARTING MOTOR	1	ED0058401910-S	
4			ED0097300450-S	VITE TCEI 10X30-5931-12.9+dac	2		

8102300010 - OIL PRESSURE SWITCH

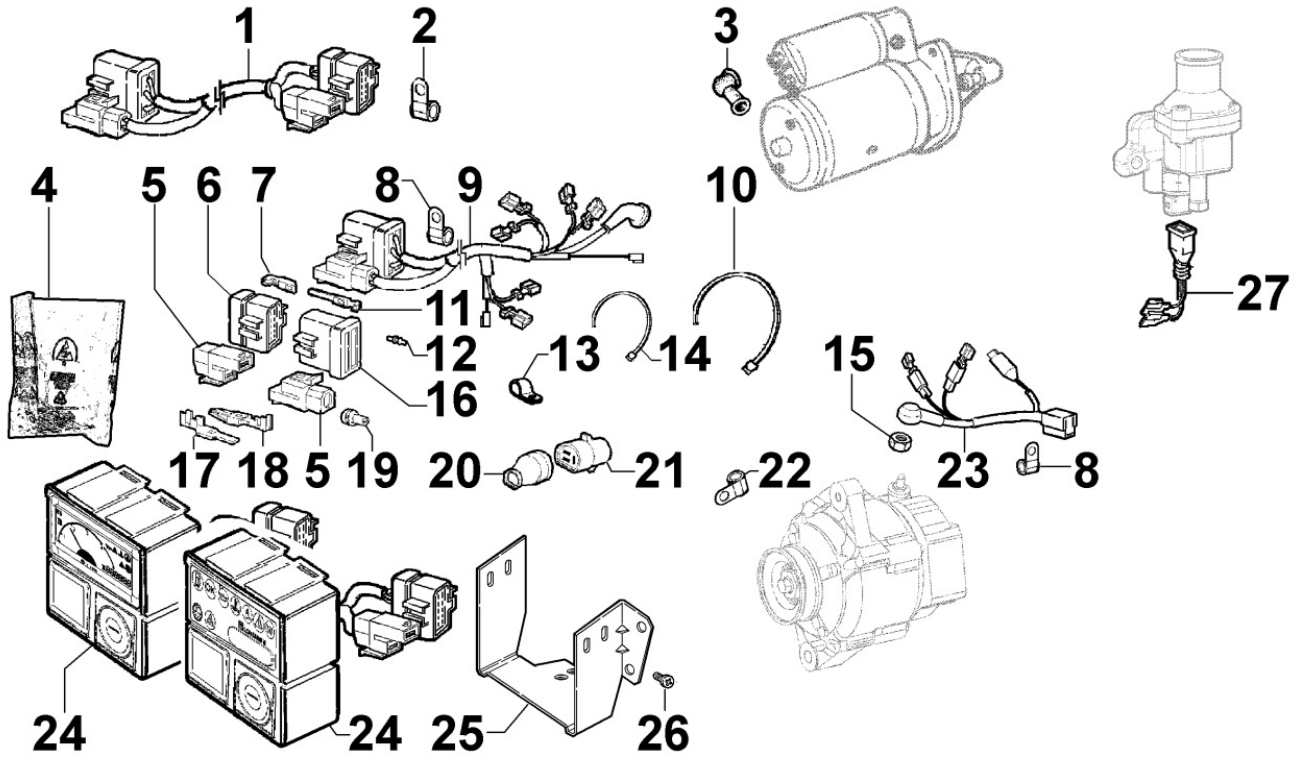
8 102 30



Pos	Kit	Included In	Code	Description	Qty	Old Code	Tech. Info
3			ED0064910130-S	GROMMET	1		
5			ED0067450930-S	OIL PRESSURE SWITCH 0.3BAR	1		

8103300010 - CONTROL PANEL / ENGINE WIRES

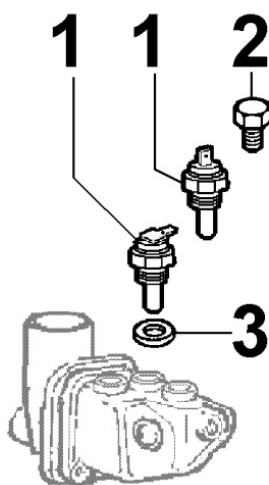
8 103 30



Pos	Kit	Included In	Code	Description	Qty	Old Code	Tech. Info
3			KDISC.		1	ED0064910120-S	
8			ED0036170880-S	CLAMP	1		
15			ED0032400080-S	NUT M6-Cl.8 type 1-ISO	2		
23			ED0021861430-S	*ALTERNATOR CABLE+DIOD + RES. 2W	1		

## 8104300010 - TEMPERATURE SENSORS

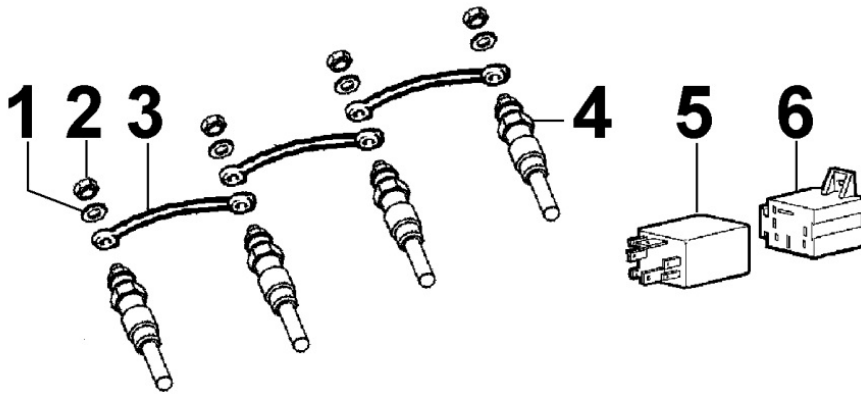
8 104 30



Pos	Kit	Included In	Code	Description	Qty	Old Code	Tech. Info
1			ED0091950940-S	SENSORE CENTRAL.PRERISC.CANDEL	1		
3			ED0046700610-S	COPPER WASHER D19/14.2 1.5 THK	1		

**8106300030 - GLOW PLUGS / PRE-HEATING RELAY**

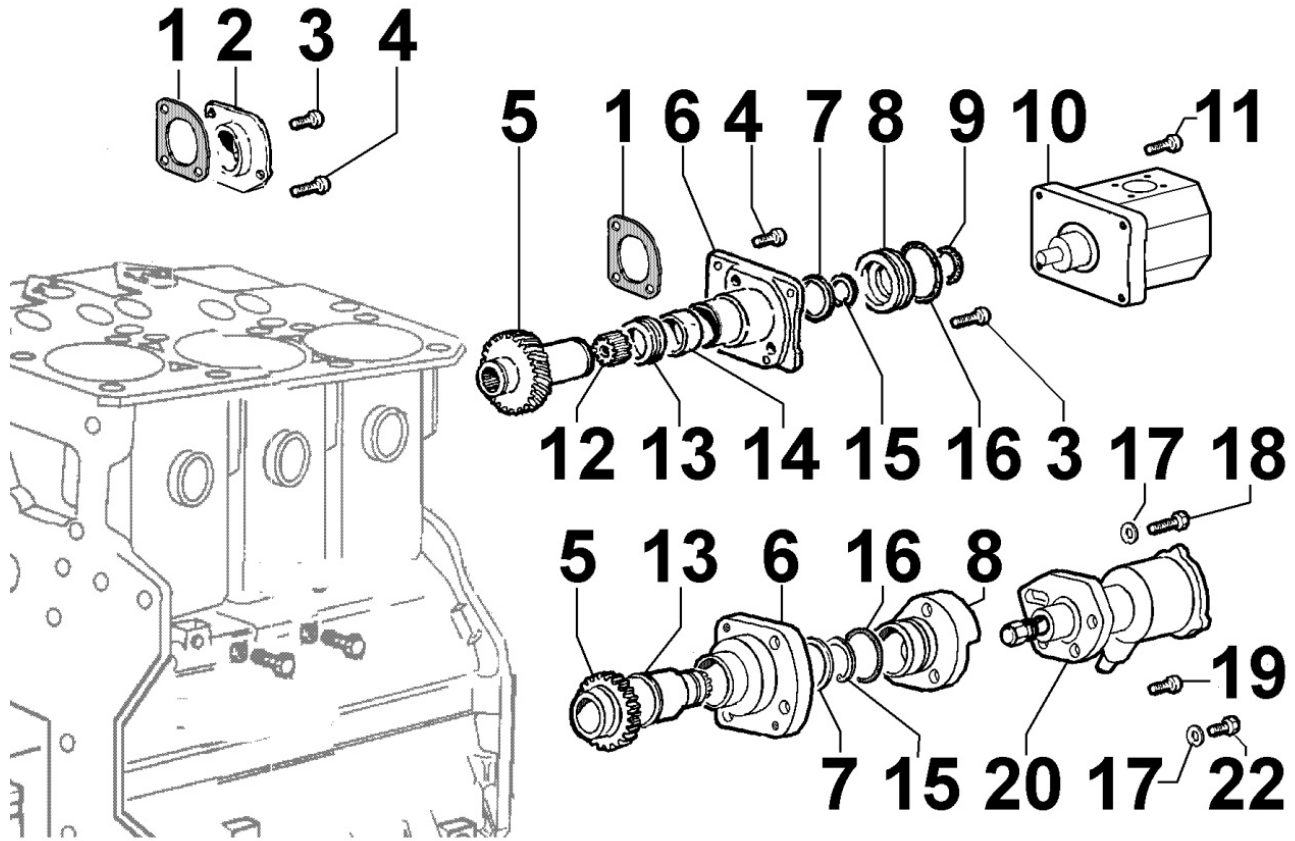
8 106 30



Pos	Kit	Included In	Code	Description	Qty	Old Code	Tech. Info
1			ED0076260660-S	WASHER	3		
2			ED0032400040-S	NUT M5 UNI 5588 6s PG Zinc Pla	3	ED0032400050-S	
3			ED0021855480-S	CONNECTION CABLE	2		
4			ED0021000890-S	GLOW PLUG	3	ED0021000770-S	
4			ED0021000890-S	GLOW PLUG	3	ED0021000980-S	
5			ED0021931340-S	GLOW PLUG MODULE	1	ED0021930840-S	
5			ED0021931340-S	GLOW PLUG MODULE	1	ED0021931110-S	
6			ED0058301610-S	MORSETTO PER CENTRALINA DI PRE	1		

8140300050 - 3rd PTO

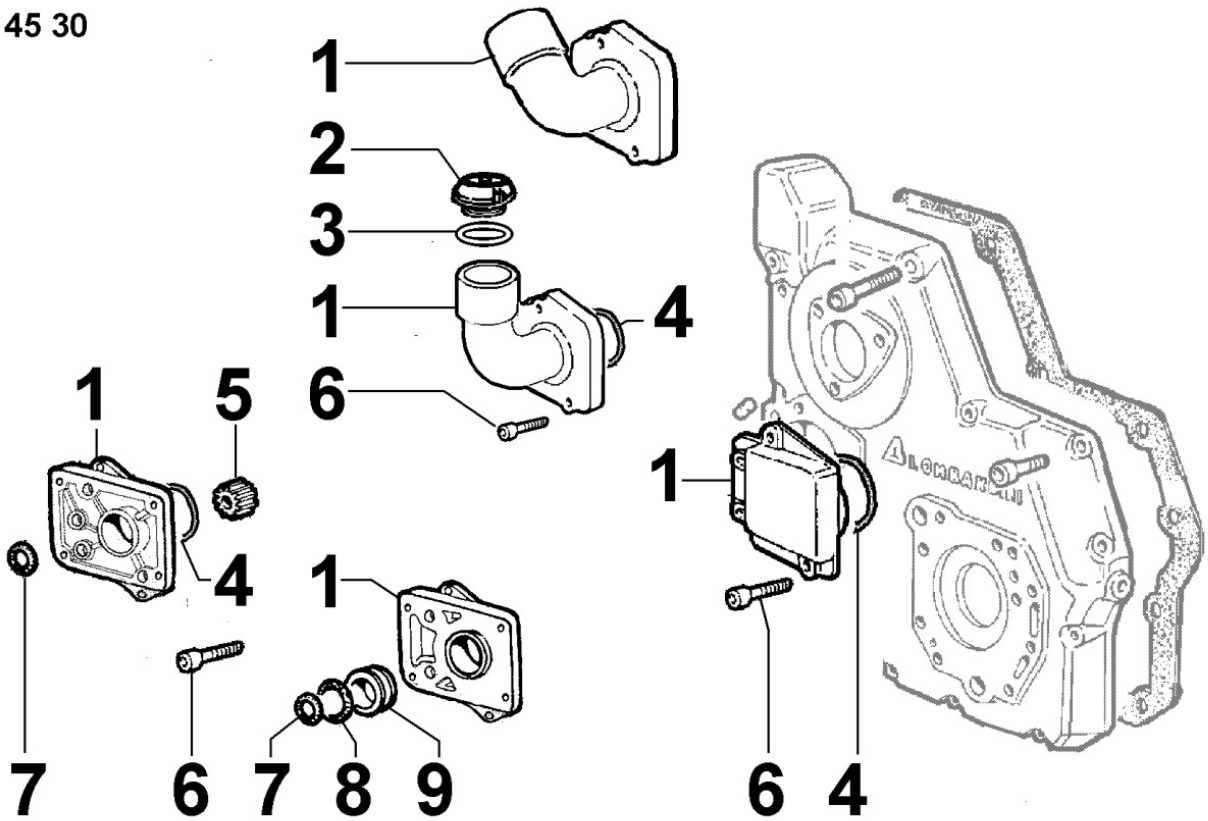
8 140 30



Pos	Kit	Included In	Code	Description	Qty	Old Code	Tech. Info
1			ED0045801850-S	GASKET	1		
3			ED0097320740-S	SOC HEAD SCR M8X20L UNI5931 ST	1		
4			ED0097301000-S	SCREW SHCS M8X25-5931 8.8	2		
5			ED0049361210-S	COUPLING - #3 PTO CHD	1		
6	(A)		ED0038100850-S	FLANGE, PUMP	1		
7			ED0012570330-S	WASHER, THRUST	1		
8			ED0013010470-S	RING, PUMP SHAFT	1		
9			ED0012020170-S	ANELLO OR 3143-GOMMA SILICONE	1		
12			ED0059000150-S	PINION, DRIVE (PUMP SIDE)	1		
13			ED0012570320-S	PLATE, WEAR	1		
14		(A)	ED0015801470-S	BUSHING	2		
15			ED0012400370-S	SNAP RING	1		
16			ED0012000730-S	O RING	1		

8145300010 - 4th PTO

8 145 30



Pos	Kit	Included In	Code	Description	Qty	Old Code	Tech. Info
1			ED0026600080-S	COVER	1		
4			ED0012000910-S	OR 3193	1		
6			ED0097300100-S	SOC HEAD CAP SCR M6X16L STEEL	4		

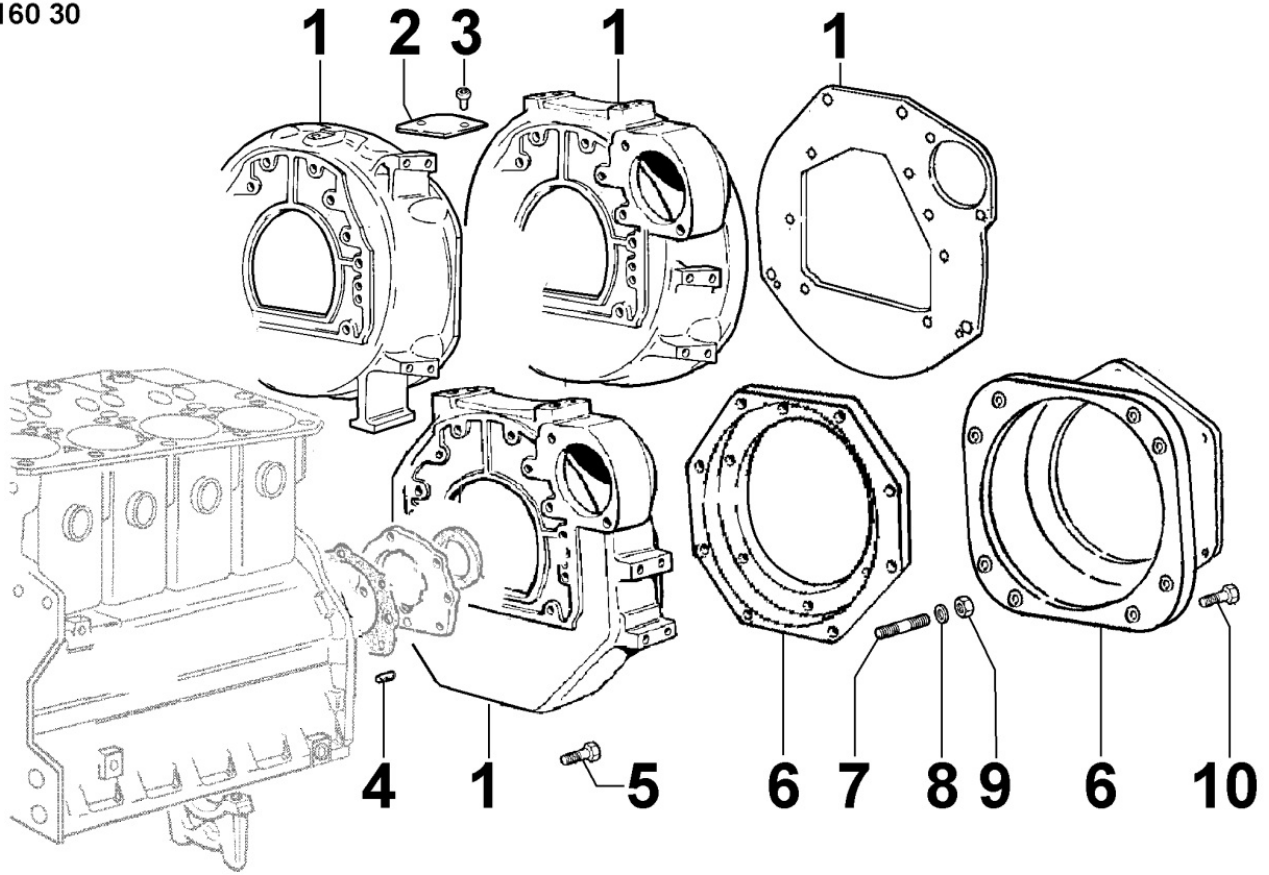
**8152300010 - HOURMETER, TACHOMETER, RIGHT ANGLE GEAR**

Pos	Kit	Included In	Code	Description	Qty	Old Code	Tech. Info
0			ED0097300100-S	SOC HEAD CAP SCR M6X16L STEEL	3		
0			ED0026150400-S	HOLE COVER	1		
0			ED0044311460-S	GASKET	1		



8160300130 - ENGINE FLANGE / BACKPLATE

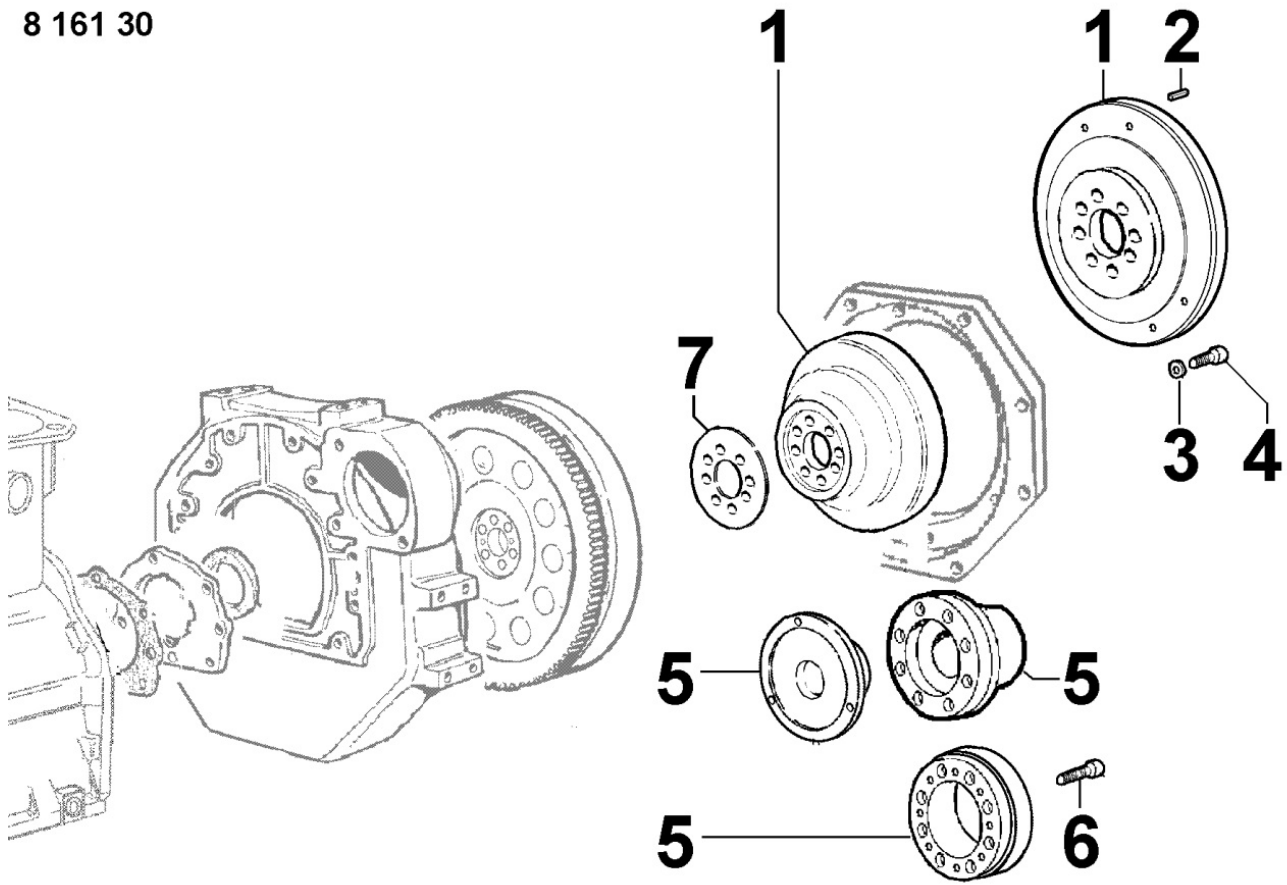
8 160 30



Pos	Kit	Included In	Code	Description	Qty	Old Code	Tech. Info
1			ED0020323570-S	BELL	1		
4			ED0084001080-S	DOWEL PIN D.10X20 UNI 1707	2		
5			ED0017800310-S	VITE TE.10X25-5739-8G+ZN.B	12		
6			ED0011981900-S	ANELLO/RING D	1		
8			ED0075650110-S	LOCK WASHER M10	8		
10			ED0017800060-S	VITE TE.10X30-5739-8G+ZN.B	8		

8161300050 - 1st PTO ACCESSORIES

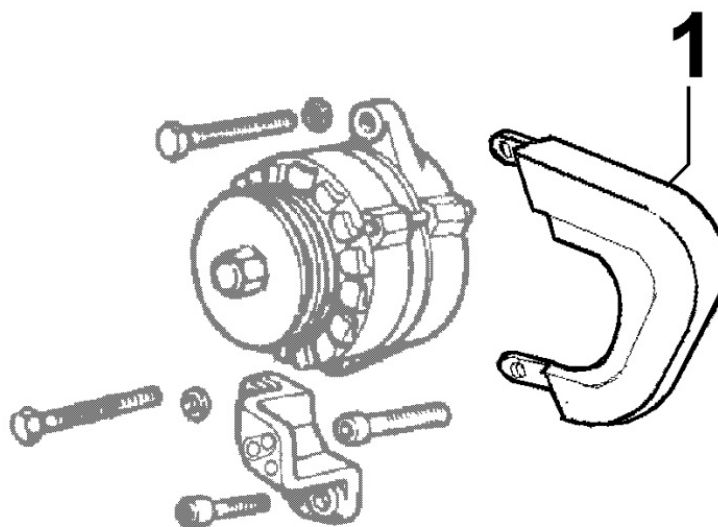
8 161 30



Pos	Kit	Included In	Code	Description	Qty	Old Code	Tech. Info
3			ED0075650040-S	SPRING WASHER D11.1/6.1 1.3 TH	3		
4			ED0097320780-S	SOC HEAD CAP SCR M6X25 8.8	3		
5			ED0038551140-S	FLANGIA/FLANGE N	1		

## 8173300010 - ALTERNATOR GUARD

8 173 30



Pos	Kit	Included In	Code	Description	Qty	Old Code	Tech. Info
1			ED0069274820-S	PROTEZIONE/GUARD N	1		

# KOHLER® ENGINES