
ED372033

Spare Parts Catalogue

§LDW 2004 L.MARINE

Update Date 29/11/2022

Print Date 12/06/2023

KOHLER.Engines

Tavola ricambi

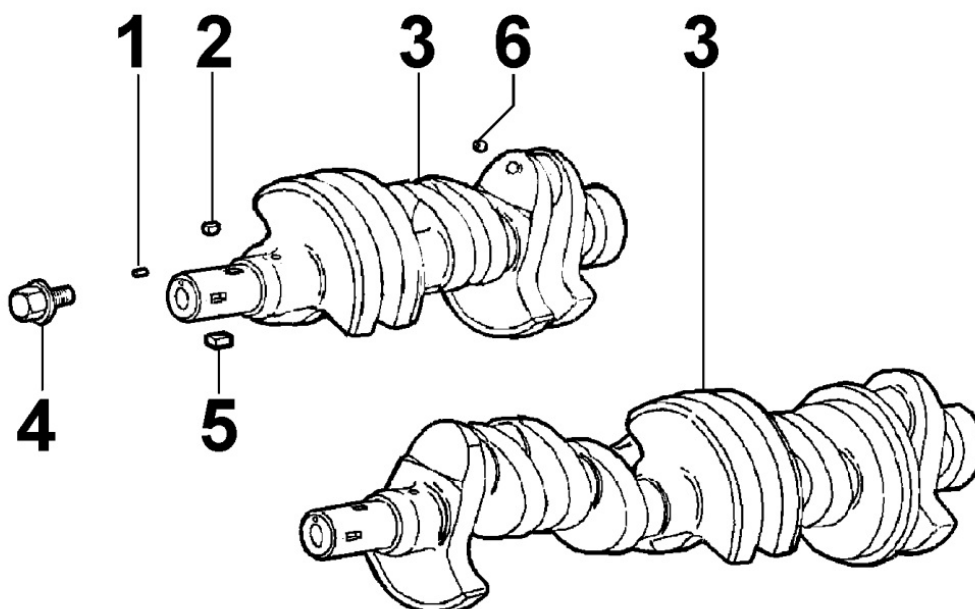
Index	Description
8010300020	CRANKSHAFT
8011300020	PISTON / CONNECTING ROD
8012300020	FLYWHEEL
8013300020	EQUALIZER SHAFT
8014300030	PULLEYS / BELT
8020300040	CRANKCASE
8021300060	CYLINDER HEAD
8022300060	HEAD COVER
8023300010	FLYWHEEL SIDE SUPPORT
8025300090	ENGINE MOUNTS
8027300010	TIMING SYSTEM COVER
8030300030	INJECTION SYSTEM
8035300050	CAMSHAFT
8036300020	ROCKER ARMS / VALVES
8038300010	TIMING SYSTEM
8040300020	OIL PUMP
8041300060	OIL PAN
8042300030	OIL FILTER
8043300050	OIL DIPSTICK
8045300030	BREATHER SYSTEM
8046300020	PUMP FOR OIL EXTRACTION
8050300140	SPEED GOVERNOR
8051300020	CONTROLS
8052300030	ELECTROVALVE
8061300060	FUEL FILTER
8062300020	FUEL FEED PUMP
8064300360	FUEL LINES
8071300010	COOLING FAN
8074300330	THERMOSTAT UNIT
8077300060	COOLANT PUMP
8080300110	AIR INLET MANIFOLD / AIR FILTER
8085300020	EXHAUST GAS MANIFOLD
8100300040	VOLTAGE ALTERNATOR
8101300030	STARTING MOTOR
8102300010	OIL PRESSURE SWITCH
8106300020	GLOW PLUGS / PRE-HEATING RELAY

Tavola ricambi

Index	Description
8140300020	3rd PTO
8145300080	4th PTO
8152300010	HOURMETER, TACHOMETER, RIGHT ANGLE GEAR
8160300080	ENGINE FLANGE / BACKPLATE
8173300010	ALTERNATOR GUARD

8010300020 - CRANKSHAFT

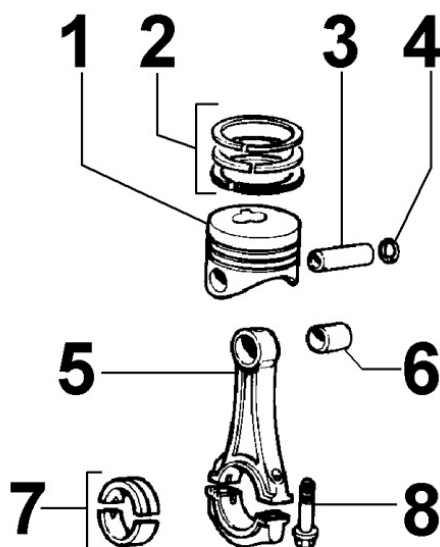
8 010 30



Pos	Kit	Included In	Code	Description	Qty	Old Code	Tech. Info
1		(A)	ED0084001200-S	PIN	1		
1		(A)	ED0084300040-S	TAPER PIN 3X12 DIN 1481	1		▲
2		(A)	ED0022800820-S	KEY	1		
3	(A)		ED0010511760-S	CRANKSHAFT	1	ED0010511370-S	▲
4			ED0098653190-S	CRANKSHAFT BOLT	1	ED0098652580-S	
5		(A)	ED0022801550-S	KEY	1		
6		(A)	ED0090801320-S	CAP	4		▲

8011300020 - PISTON / CONNECTING ROD

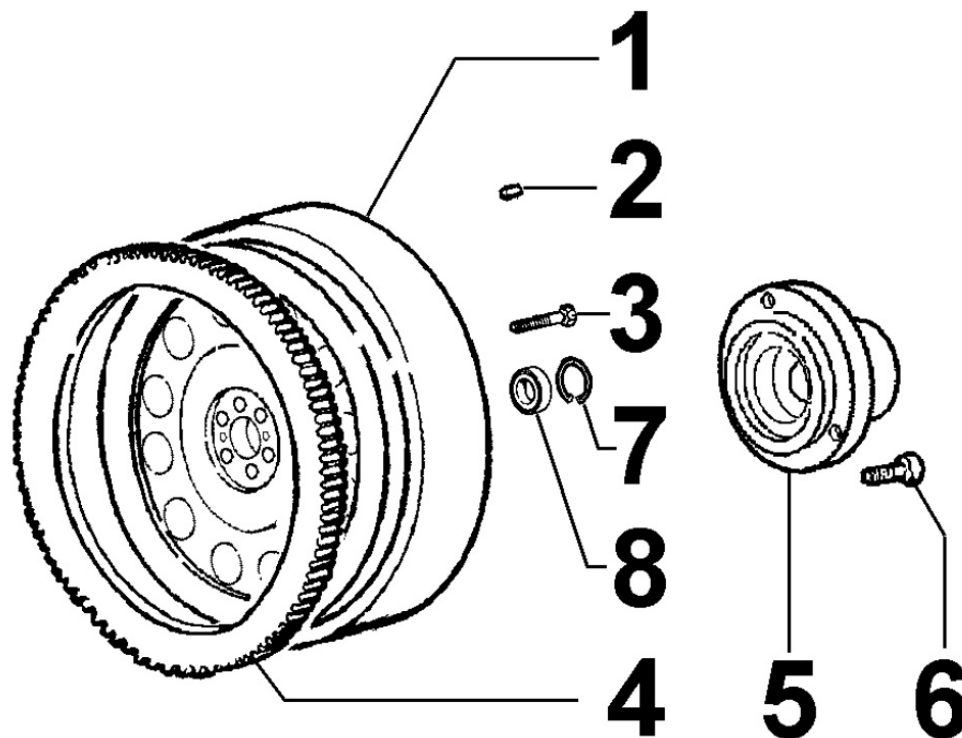
8 011 30




Pos	Kit	Included In	Code	Description	Qty	Old Code	Tech. Info
1	B		ED0065007200-S	PISTON ASS.Y	4		▲
1	B		KDISC.		4	ED0065007210-S	
1	B		KDISC.		4	ED0065007220-S	
2		(B)	ED0082112240-S	RINGS KIT	4		▲
2		(B)	ED0082112250-S	RINGS KIT (Ø+0.5MM)	4		▲
2		(B)	ED0082112260-S	RINGS KIT (Ø+1MM)	4		▲
3		(B)	ED0084800900-S	PISTON PIN	4		▲
4		(B)	ED0011750590-S	RING	8		▲
5	A		ED0015261100-S	CONNECTING ROD	4		
6		(A)	ED0016300680-S	CONROD BUSHING	1	ED0016300210-S	
7			ED0016400400-S	BEARING	3/4		
7			ED0016400520-S	BEARING (Ø-0.25MM)	3/4		
7			ED0016400530-S	BEARING (Ø-0.5MM)	3/4		
8		(A)	ED0017801350-S	SCREW	6/8		▲

8012300020 - FLYWHEEL

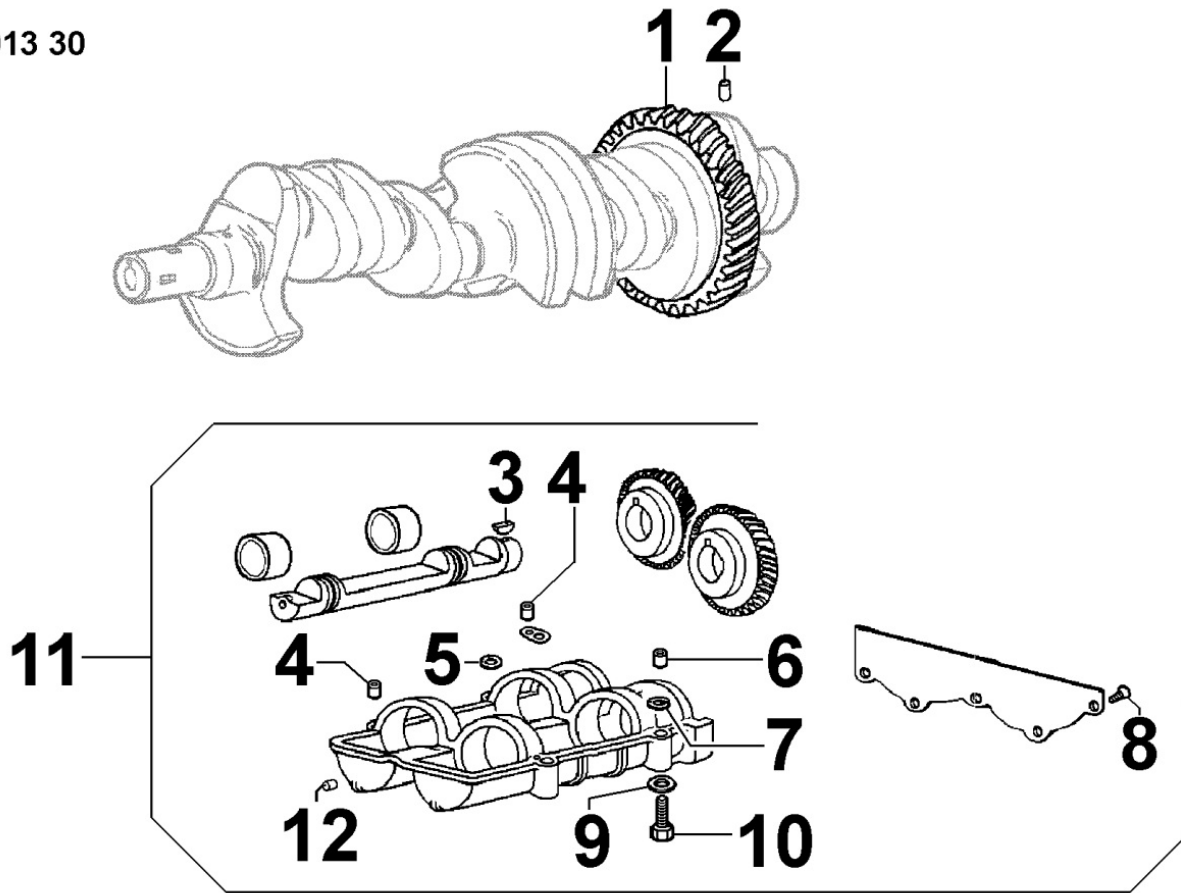
8 012 30



Pos	Kit	Included In	Code	Description	Qty	Old Code	Tech. Info
1	A		ED0098807900-S	FLYWHEEL	1		
3			ED0018620890-S	SCREW	6		
4		(A)	ED0028160650-S	RING GEAR	1		

8013300020 - EQUALIZER SHAFT

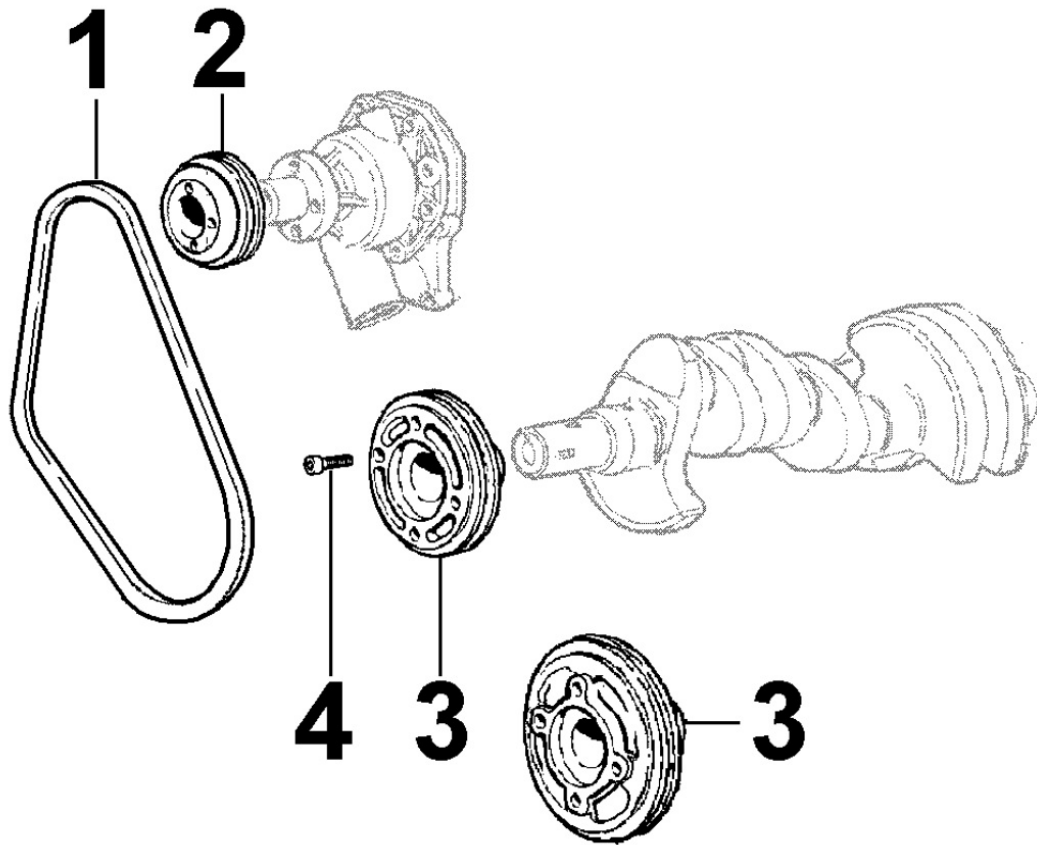
8 013 30



Pos	Kit	Included In	Code	Description	Qty	Old Code	Tech. Info
1			ED0049362280-S	GEAR	1		
2			ED0084301010-S	SPINA/PIN 'N A 10	1		
3		(A)	ED0022800440-S	KEY	1		
4			ED0084301020-S	SPRING	1		
5			ED0076400550-S	WASHER	2		
6		(A)	ED0019701400-S	BUSHING	2		
7			ED0076400540-S	WASHER	6		
8		(A)	ED0098000610-S	SCREW	5		
9			ED0076250190-S	WASHER	4		
10			ED0017800120-S	SCREW	4		
11	(A)		ED0048962740-S	SPARE KIT	1		
12		(A)	ED0090801320-S	CAP	1		

8014300030 - PULLEYS / BELT

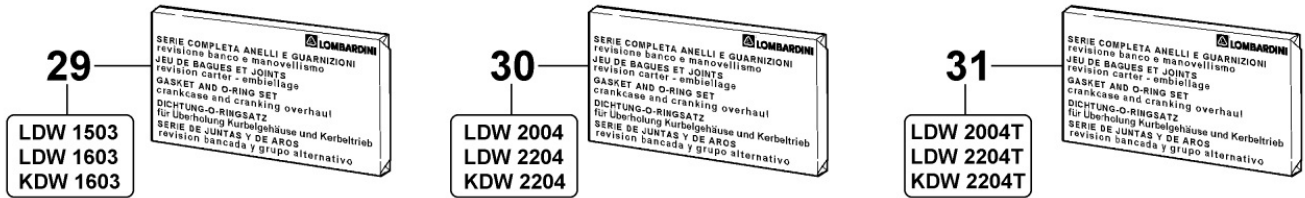
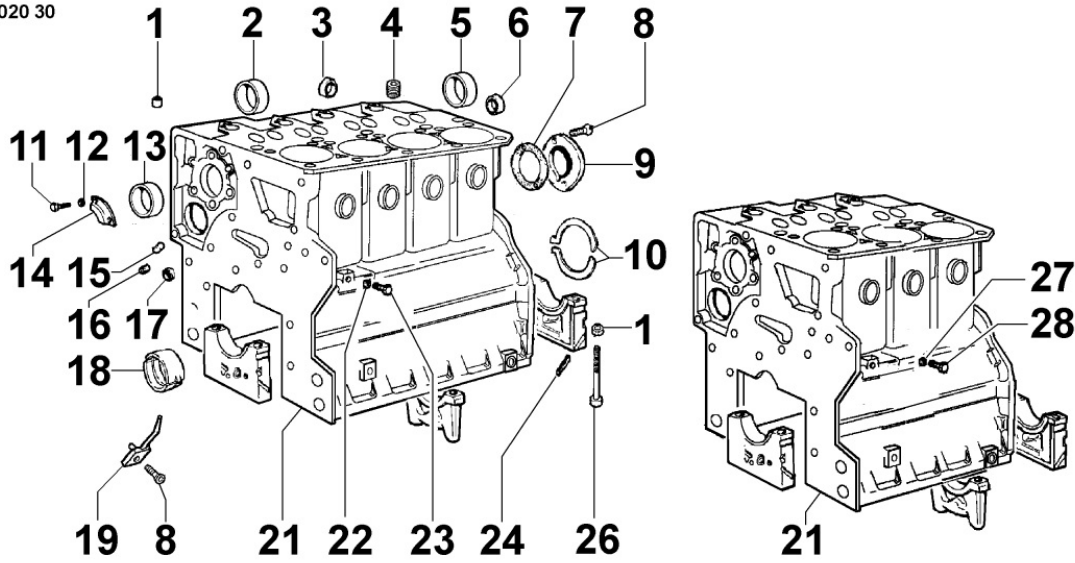
8 014 30






Pos	Kit	Included In	Code	Description	Qty	Old Code	Tech. Info
2			ED0069753100-S	PULLEY	1		
3			ED0069753240-S	PULLEY	1		
3			ED0069753240-S	PULLEY	1	ED0069753270-S	

8020300040 - CRANKCASE

8 020 30

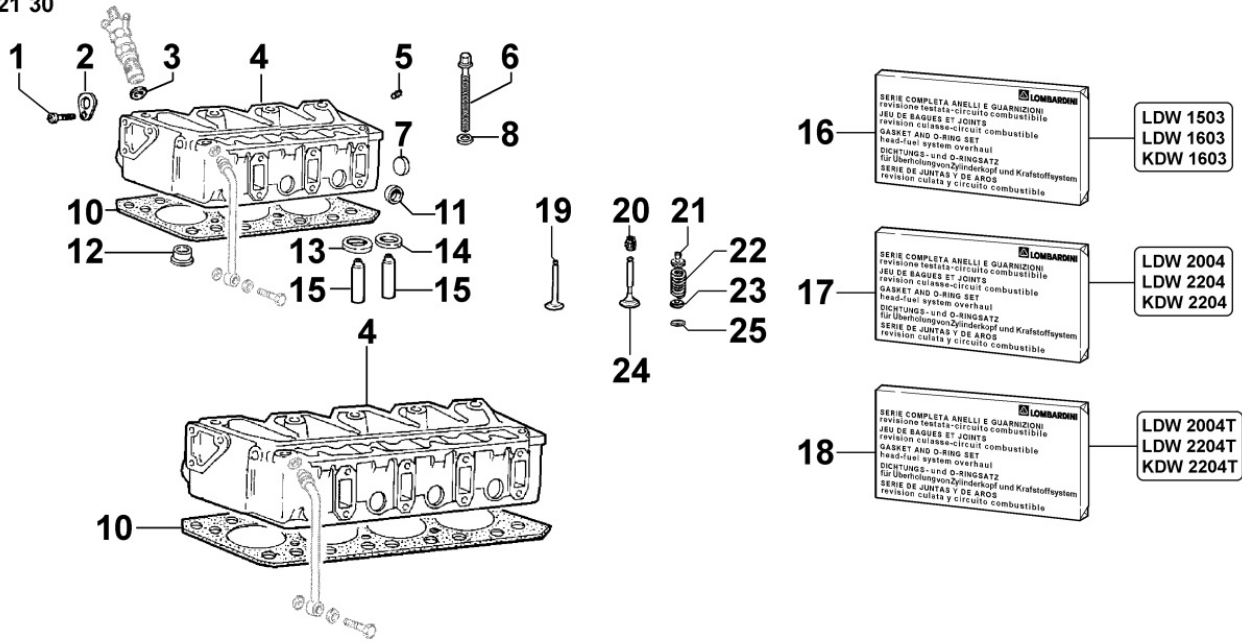


Pos	Kit	Included In	Code	Description	Qty	Old Code	Tech. Info
1		(A)	ED0019701410-S	BUSHING	10/12		
2		(A)	ED0015803370-S	BUSHING	1	ED0015801480-S	
3		(A)	ED0089900220-S	CAP	4		
4			ED0097651400-S	SCREW	1		▲
5		(A)	ED0015803260-S	BUSHING	1	ED0015801670-S	
6			ED00886R0570-S	PLUG	1		
6		(A)	ED0089900540-S	CAP	1		▲
7			ED0044312070-S	GASKET	1	ED0044311290-S	
8			ED0098000610-S	SCREW	2		
9			ED0026150470-S	COVER	1		
10			ED0012571670-S	THRUST WASHER	4/5		▲
10			KDISC.		2	ED0012571680-S	▲
10			ED0012571690-S	THRUST WASHER (+0.2MM)	2		▲
11			ED0017700020-S	SCREW	2		
12			ED0075650070-S	WASHER	2		
13		(A)	ED0015801470-S	BUSHING	1		
14			ED0062751200-S	PLATE	1		
15		(A)	ED0097651110-S	SCREW	1		
16		(A)	ED0089650970-S	CAP	1		
18			ED0016112050-S	BEARING	4/5		▲
18			ED0016112060-S	BEARING (Ø-0.25MM)	4/5		▲
18			ED0016112070-S	BEARING (Ø-0.5MM)	4/5		▲
21	A		ED0015106020-S	CRANKCASE	1		▲
22			ED0046700610-S	GASKET	1		
23			ED0090400120-S	CAP	1		
24		(A)	ED0044000540-S	GASKET	4		
26		(A)	KDISC.		10	ED0018621260-S	
29			ED0082051150-S	CRANKCASE GASKET SET (3 CYL.)	1		▲

Pos	Kit	Included In	Code	Description	Qty	Old Code	Tech. Info
29			ED0082051150-S	CRANKCASE GASKET SET (3 CYL.)	1		
30			ED0082051180-S	CRANKCASE GASKET SET (4 CYL.)	1		
31			ED0082051210-S	CRANKCASE GASKET SET (4 CYL. TURBO)	1		

8021300060 - CYLINDER HEAD

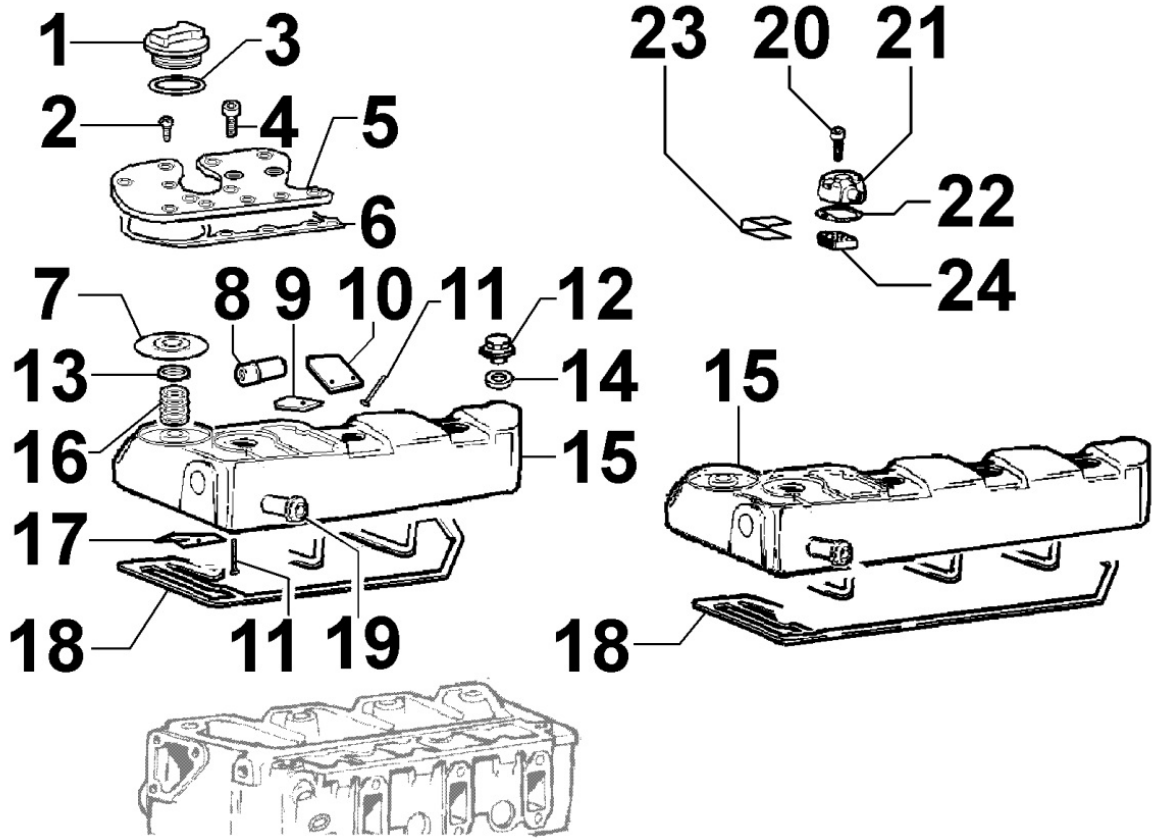
8 021 30



Pos	Kit	Included In	Code	Description	Qty	Old Code	Tech. Info
1			ED0097300240-S	SCREW	2		
2			ED0085451900-S	BRACKET	2		
3			ED0059890060-S	SPARK ARRESTER	4		
5			ED0097650010-S	SCREW	1		
6			ED0018620910-S	SCREW	10		▲
8			ED0076260400-S	WASHER	10		
10			ED0047310540-S	CYL. HEAD GASKET (NO NOTCHES)	1	ED0047305390-S	
12		(A) (B)	ED0090802010-S	CAP	4		▲
13		(A) (B)	ED0080001260-S	VALVE SEAT - INTAKE	4		
14		(A) (B)	ED0080001270-S	VALVE SEAT - EXHAUST	4		
15		(A) (B)	ED0048452270-S	GUIDE	8		▲
16			ED0082051140-S	CYLINDER HEAD GASKET SET (3 CYL.)	1		▲
17			ED0082051170-S	CYLINDER HEAD GASKET SET (4 CYL.)	1		▲
18			ED0082051200-S	CYLINDER HEAD GASKET SET (4 CYL. TURBO)	1		▲
19			803630...0				
20			803630...0				
21			803630...0				
22			803630...0				
23			803630...0				
24			803630...0				
25			803630...0				

8022300060 - HEAD COVER

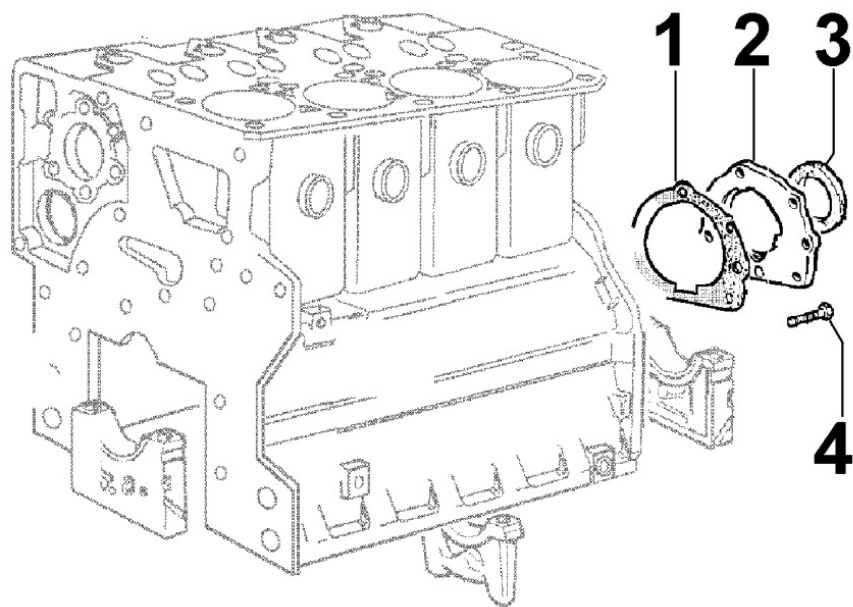
8 022 30



Pos	Kit	Included In	Code	Description	Qty	Old Code	Tech. Info
1			ED0090320640-S	FILLER CAP	1		
5			ED0027502250-S	COVER	1		
12			ED0033002180-S	NUT	4		▲
14			ED0044000500-S	GASKET	4		▲
15			KDISC.		1	ED0021252070-S	
18			KDISC.		1	ED0044000490-S	
22			ED0044311190-S	GASKET	1		
23			ED0050960500-S	PROTECTION PLATE	1		
23			ED0054961060-S	FILTER ELEMENT	1		

8023300010 - FLYWHEEL SIDE SUPPORT

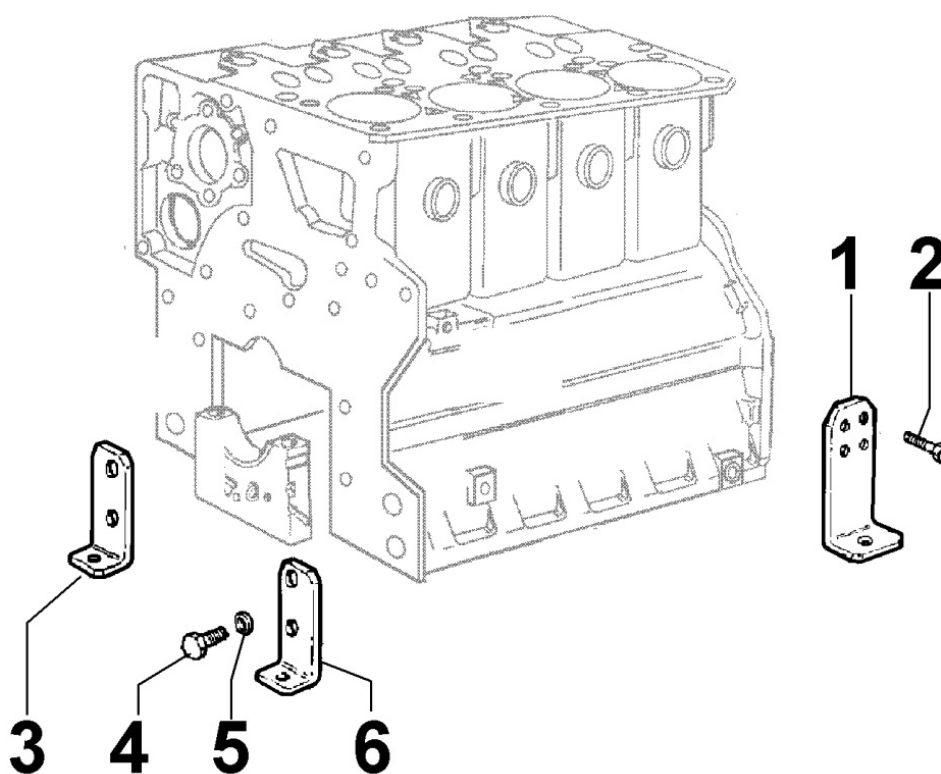
8 023 30



Pos	Kit	Included In	Code	Description	Qty	Old Code	Tech. Info
1			ED0045011600-S	GASKET	1		
2	(A)		ED0037900800-S	FLANGE	1		⚠
3		(A)	ED0012133490-S	SEAL RING	1		⚠
4			ED0097300120-S	SCREW	8		

8025300090 - ENGINE MOUNTS

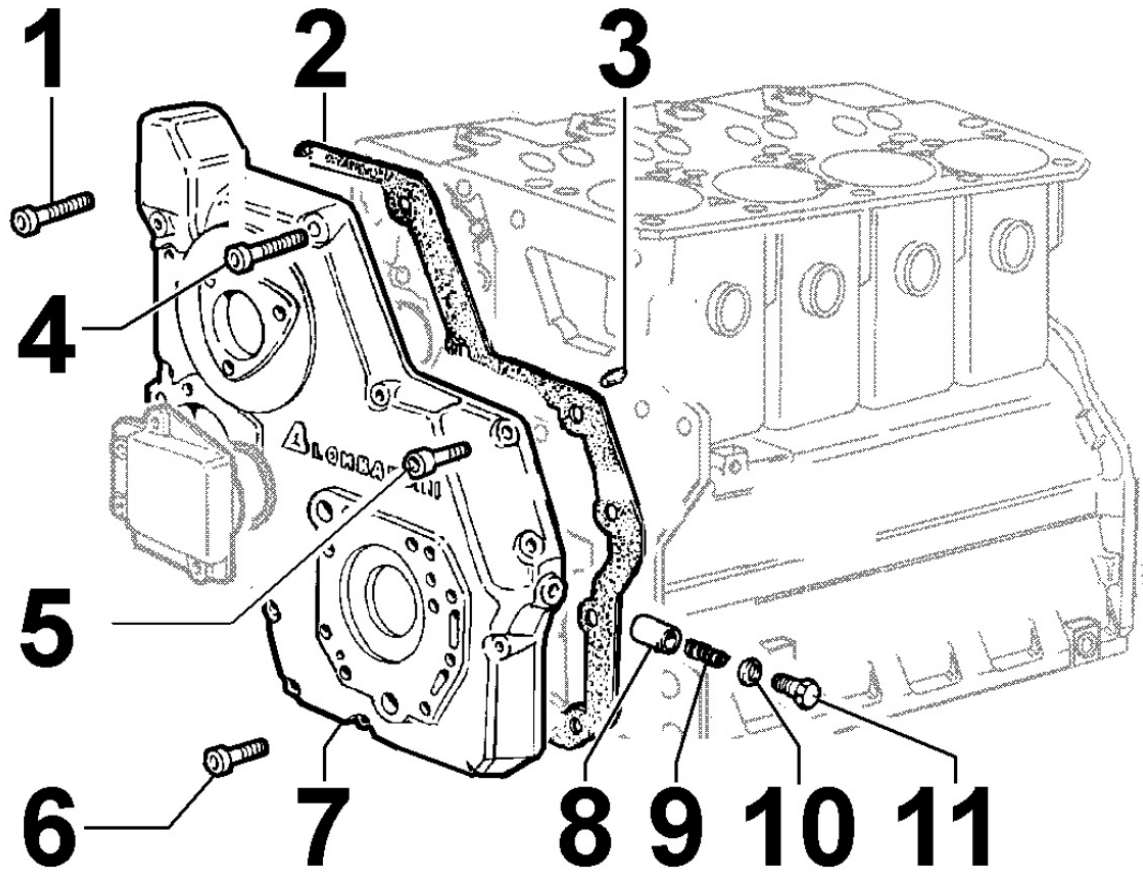
8 025 30



Pos	Kit	Included In	Code	Description	Qty	Old Code	Tech. Info
1			ED0064293240-S	ENGINE MOUNT	2		
1			ED0064293270-S	ENGINE MOUNT	2		

8027300010 - TIMING SYSTEM COVER

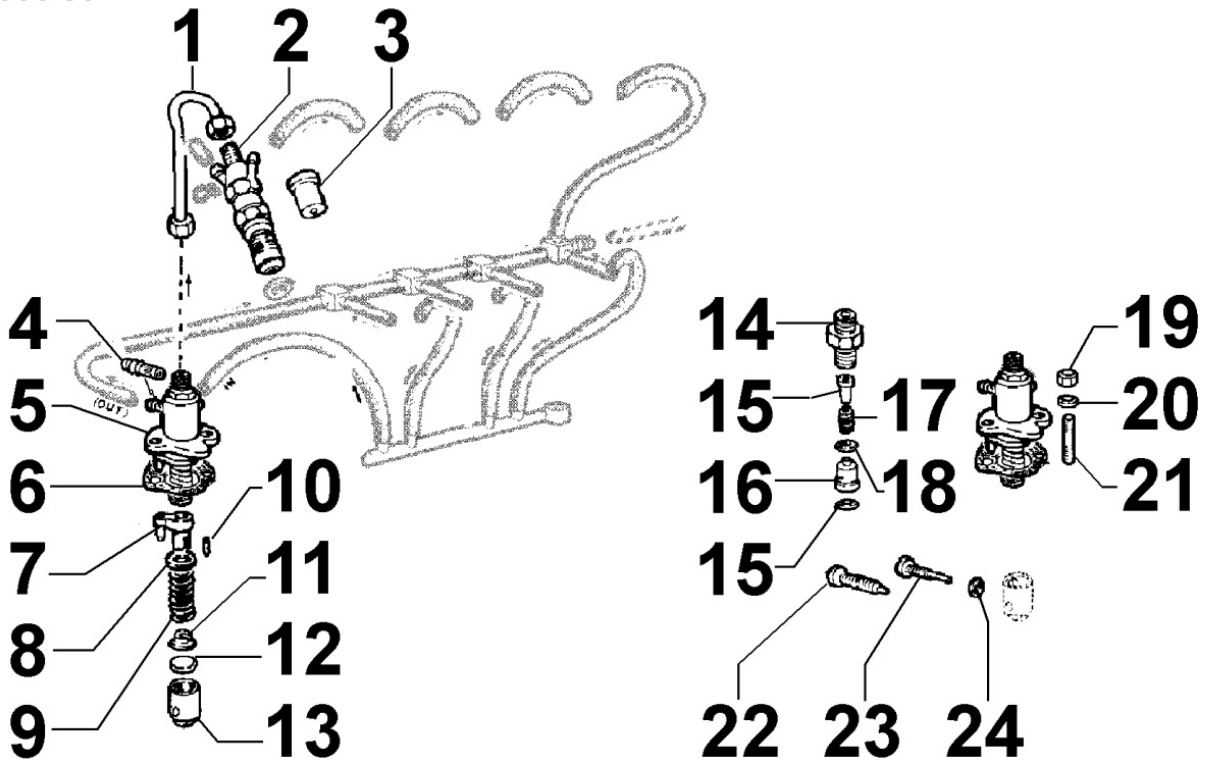
8 027 30



Pos	Kit	Included In	Code	Description	Qty	Old Code	Tech. Info
2			ED0046012050-S	GASKET	1		
3			ED0084600550-S	PIN	2		
4			ED0097320750-S	SCREW	2		
5			ED0097301000-S	SCREW	2		
6			ED0097300310-S	SCREW	8		
7	(A)		ED0066580150-S	DOOR	1		
8			ED0064950520-S	PLUNGER	1		
9			ED0056250100-S	SPRING	1		
10			ED0046700190-S	GASKET	1		
11			ED0090150060-S	CAP	1		

8030300030 - INJECTION SYSTEM

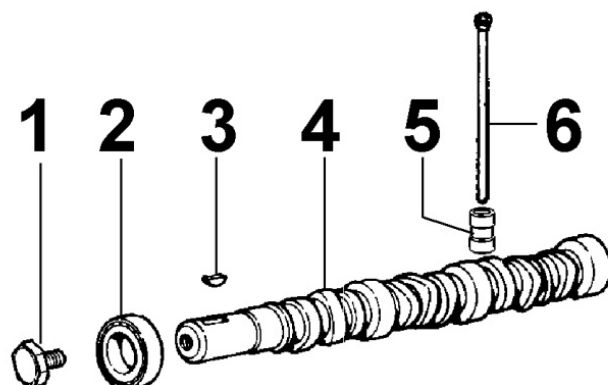
8 030 30



Pos	Kit	Included In	Code	Description	Qty	Old Code	Tech. Info
1			ED0093757390-S	FUEL PIPE	4		
2	A		ED0050100510-S	INJECTOR	4		▲
3		(A)	ED0065314680-S	NOZZLE	3/4		▲
4		(B)	ED0072600420-S	JOINT	1		
5	B		ED0065903180-S	INJECTION PUMP	4		
6			ED0045802300-S	GASKET	4		
7		(B)	ED0054011970-S	JUNCTION	1		▲
8		(B)	KDISC.		1	ED0064101070-S	
9		(B)	KDISC.		1	ED0057550800-S	
10		(B)	ED0084300860-S	ELASTIC PIN 2X8 CODE 10494	2		
11		(B)	ED0064000590-S	RETAINER	1		
12			ED0060001200-S	SHIM (4.7MM)	4	ED0060001070-S	
12			ED0060001150-S	SHIM (4.2MM)	0		
13			ED0072151400-S	TAPPET	4		
14		(B)	KDISC.		1	ED0072650160-S	
15		(B)	ED0074700180-S	FILLER	1		▲
16		(B)	ED0096720920-S	DELIVERY VALVE	1	ED0096721150-S	
17		(B)	ED0057551220-S	SPRING	1		▲
18		(B)	ED0047600360-S	GASKET	2		
19			ED0032401630-S	NUT	8		
20			ED0057150890-S	SPRING	8		
21			ED0067800050-S	STUD	8		
22				805030...0			
23			ED0097302560-S	SCREW	3		
24			ED0046700010-S	GASKET	3		

8035300050 - CAMSHAFT

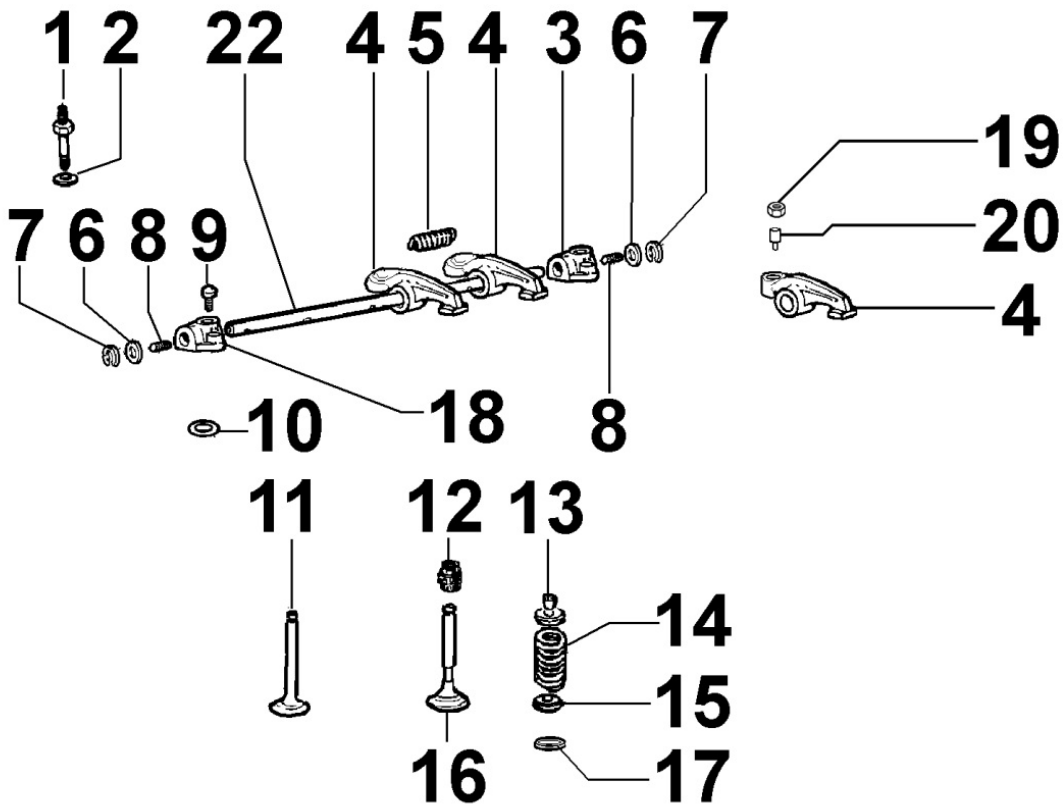
8 035 30



Pos	Kit	Included In	Code	Description	Qty	Old Code	Tech. Info
1			ED0017801040-S	SCREW	1		
2			ED0030010650-S	BEARING	1		
3			ED0022800440-S	KEY	1		
4			ED0010112720-S	CAMSHAFT	1		⚠
5			KDISC.		8	ED0072150670-S	
5				NO MORE AVAILABLE			
6			ED0014100900-S	PUSHROD	8		⚠

8036300020 - ROCKER ARMS / VALVES

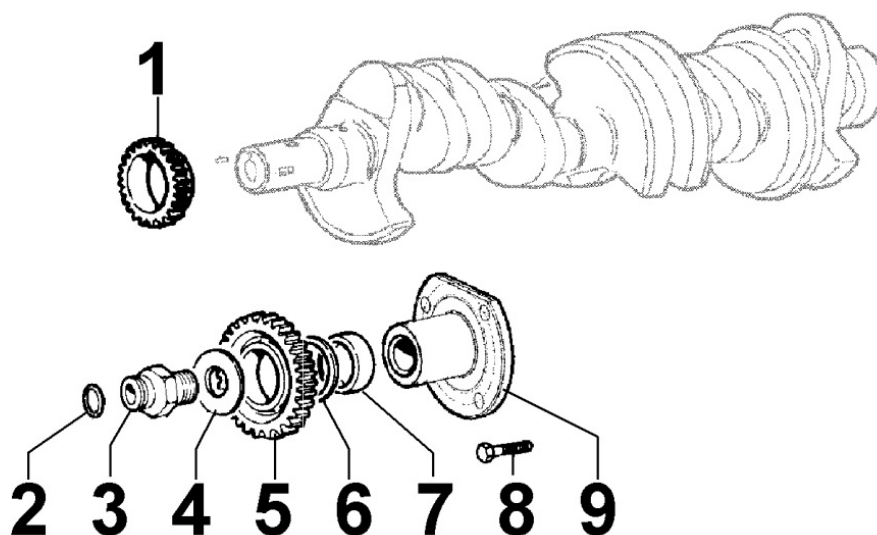
8 036 30



Pos	Kit	Included In	Code	Description	Qty	Old Code	Tech. Info
0			KDISC.		1	ED0097651630-S	
1			ED0098651450-S	FIXING SCREW	4		
2			ED0076251250-S	WASHER	4		
5		(A) (B)	ED0056150090-S	SPRING	3		
6		(A) (B)	ED0077011480-S	WASHER	4		
7		(B)	ED0012400060-S	SNAP RING	2		
8		(A) (B)	ED0097650090-S	SCREW	2		
11			KDISC.		4	ED0096521040-S	
11			ED0096521520-S	INTAKE VALVE	4		⚠
12			ED0045350150-S	GASKET	8		⚠
13			ED0064100980-S	VALVE SPRING RETAINER	8	ED0064000600-S	
14			ED0057550040-S	SPRING	8		
15			ED0034301410-S	DISC	8		
16			ED0096851450-S	EXHAUST VALVE	4	ED0096851080-S	⚠
22	A		KDISC.		1	ED0060450820-S	
22	A		KDISC.		1	ED0043300470-S	
22	B		KDISC.		1	ED0043300580-S	

8038300010 - TIMING SYSTEM

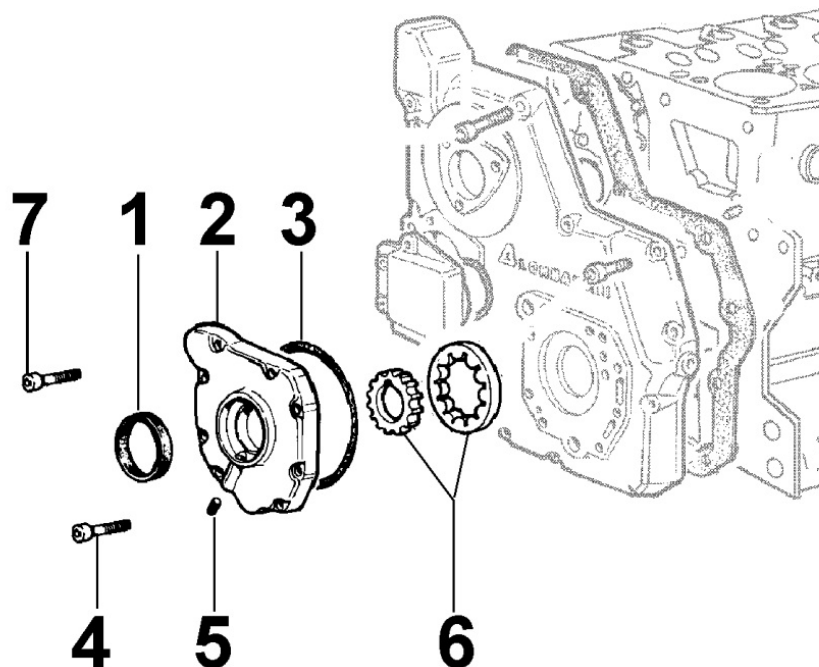
8 038 30



Pos	Kit	Included In	Code	Description	Qty	Old Code	Tech. Info
1			ED0049361670-S	GEAR	1		
2			ED0012002190-S	O-RING	1		
3			ED0098201380-S	SCREW	1		
4			ED0012571560-S	THRUST WASHER	1		
5	(A)		ED0049361650-S	GEAR	1		
6			ED0012571570-S	THRUST WASHER	1		
7		(A)	ED0015803150-S	BUSHING	1	ED0015801540-S	
8			ED0097320740-S	SCREW	4		
9			ED0061300990-S	GEAR SHAFT	1		

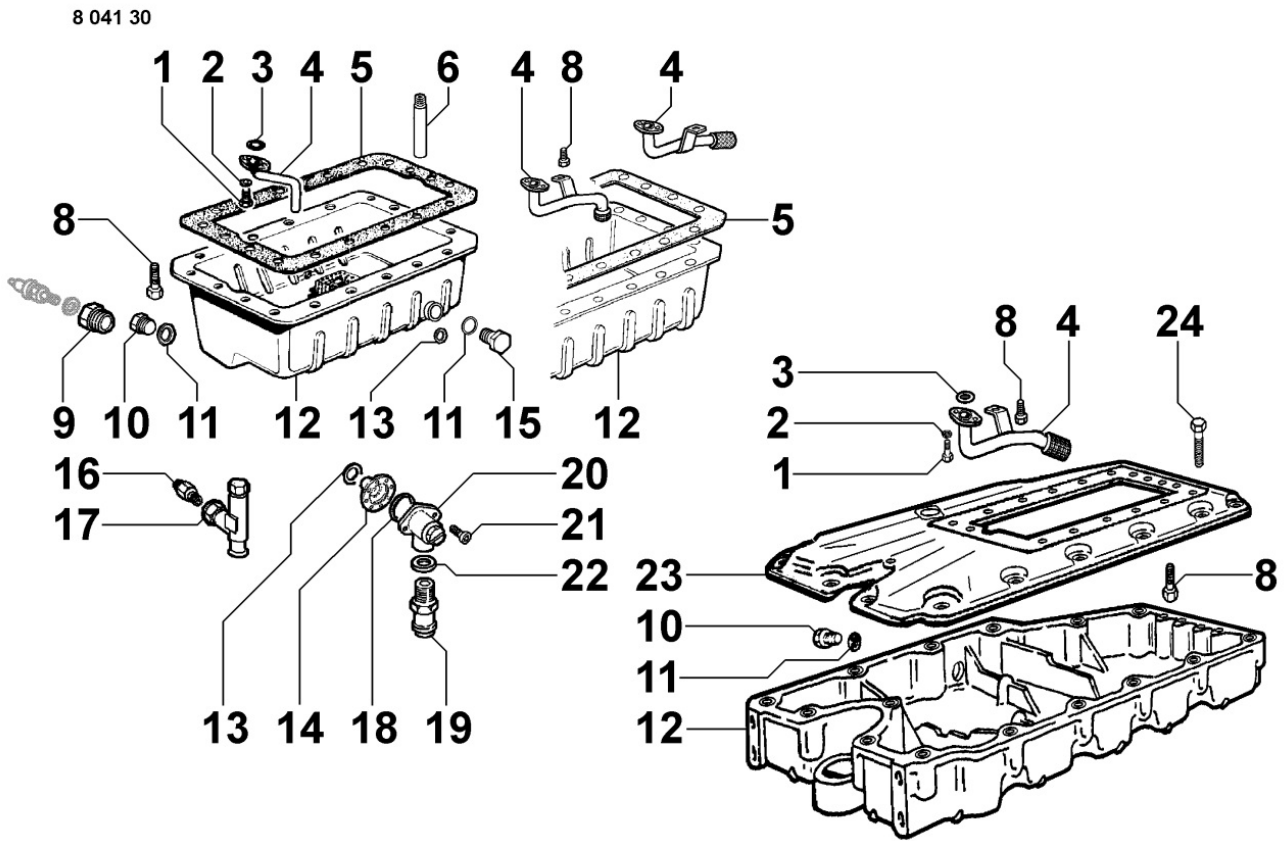
8040300020 - OIL PUMP

8 040 30



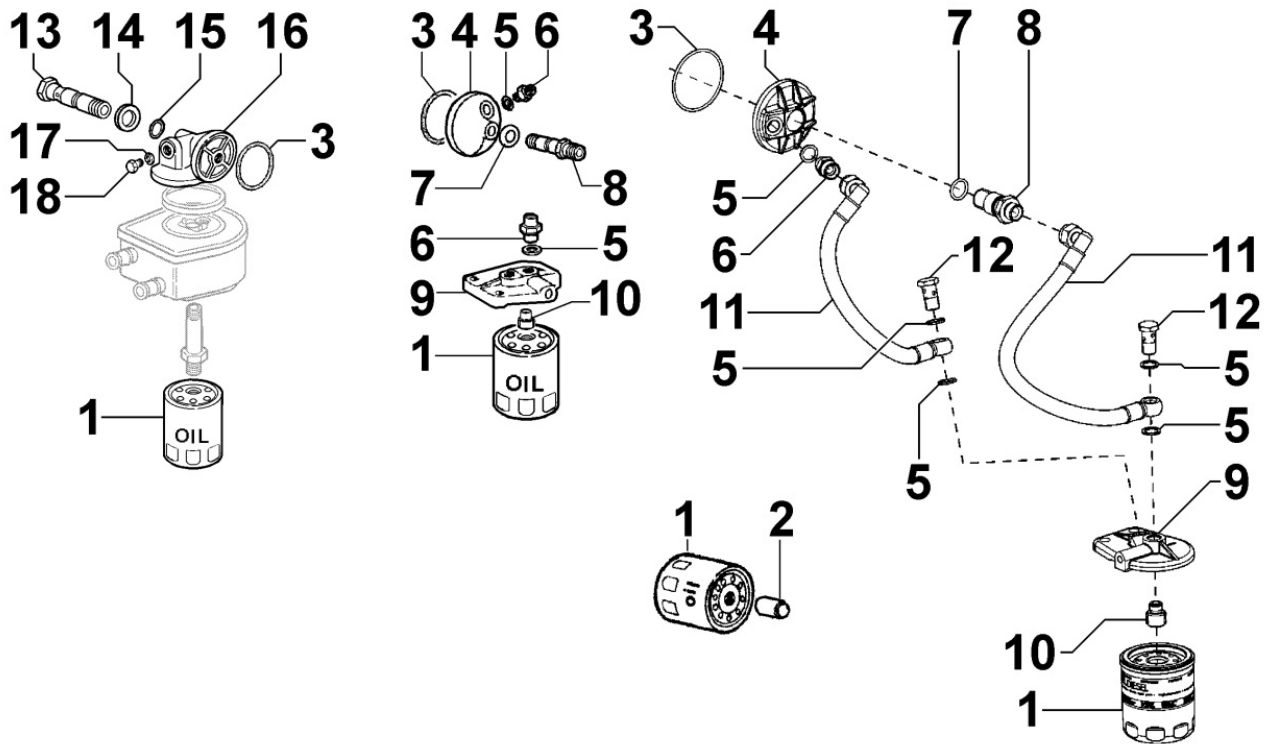
Pos	Kit	Included In	Code	Description	Qty	Old Code	Tech. Info
1		(A)	ED0012133480-S	SEAL RING	1		▲
2	(A)		ED0026500570-S	COVER	1		▲
3			ED0044311490-S	GASKET	1		▲
4			ED0097300120-S	SCREW	7		
5		(A)	ED0090802400-S	CAP	1		
6			ED0077501630-S	ROTOR	1	ED0077500810-S	
7			ED0097304160-S	SCREW	2		

8041300060 - OIL PAN



Pos	Kit	Included In	Code	Description	Qty	Old Code	Tech. Info
0			ED0075550290-S	WASHER	22		
1			ED0017600050-S	SCREW	2		
2			ED0075650040-S	WASHER	2		
3			ED0012002260-S	O-RING	1		
4			ED0093201680-S	HOSE	1		
7			ED0097300080-S	SCREW	1		
8			ED0017701600-S	SCREW	22		
8			ED0097300240-S	SCREW	22		
10			ED0089650050-S	CAP	1		
11			ED0046700160-S	GASKET	1		

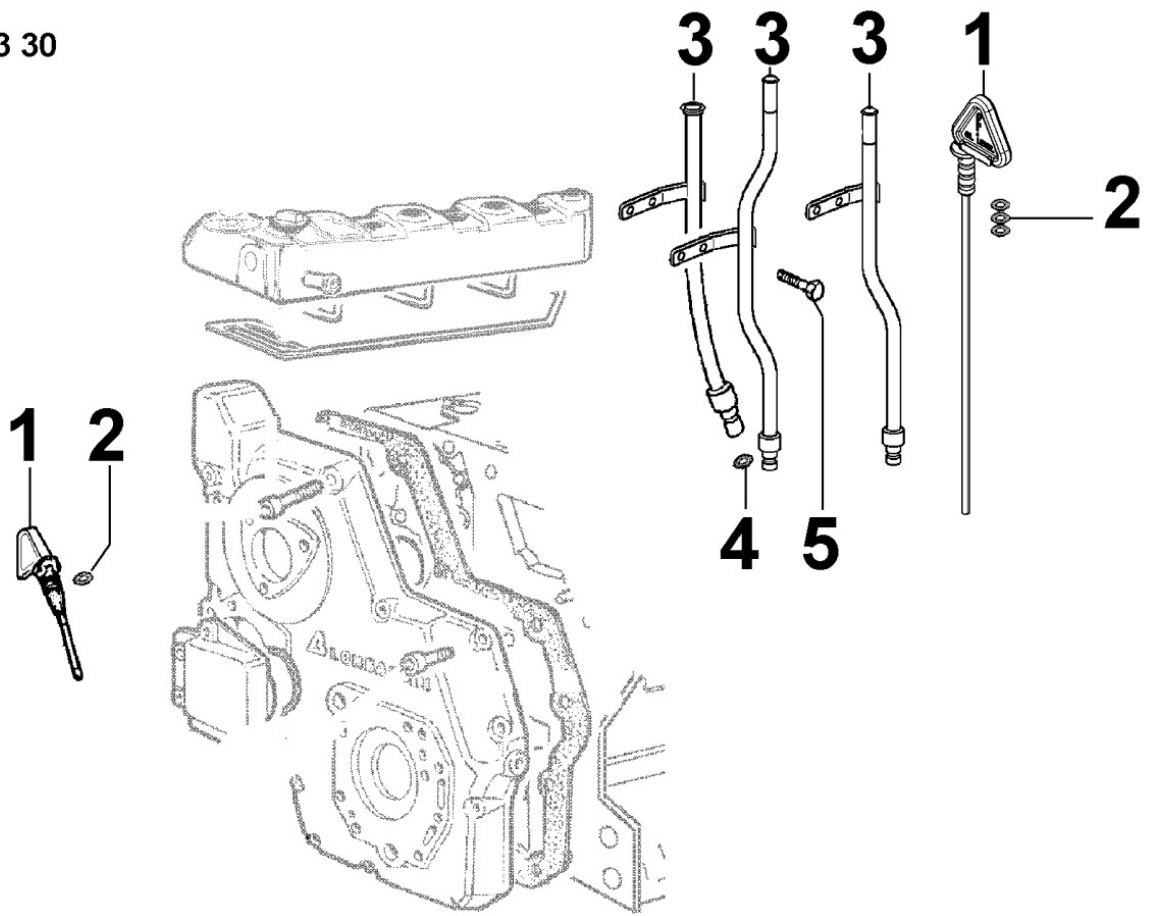
8042300030 - OIL FILTER



Pos	Kit	Included In	Code	Description	Qty	Old Code	Tech. Info
1			ED0021752800-S	OIL CARTRIDGE	1	ED0021751040-S	
2			ED0072650210-S	JOINT	1		

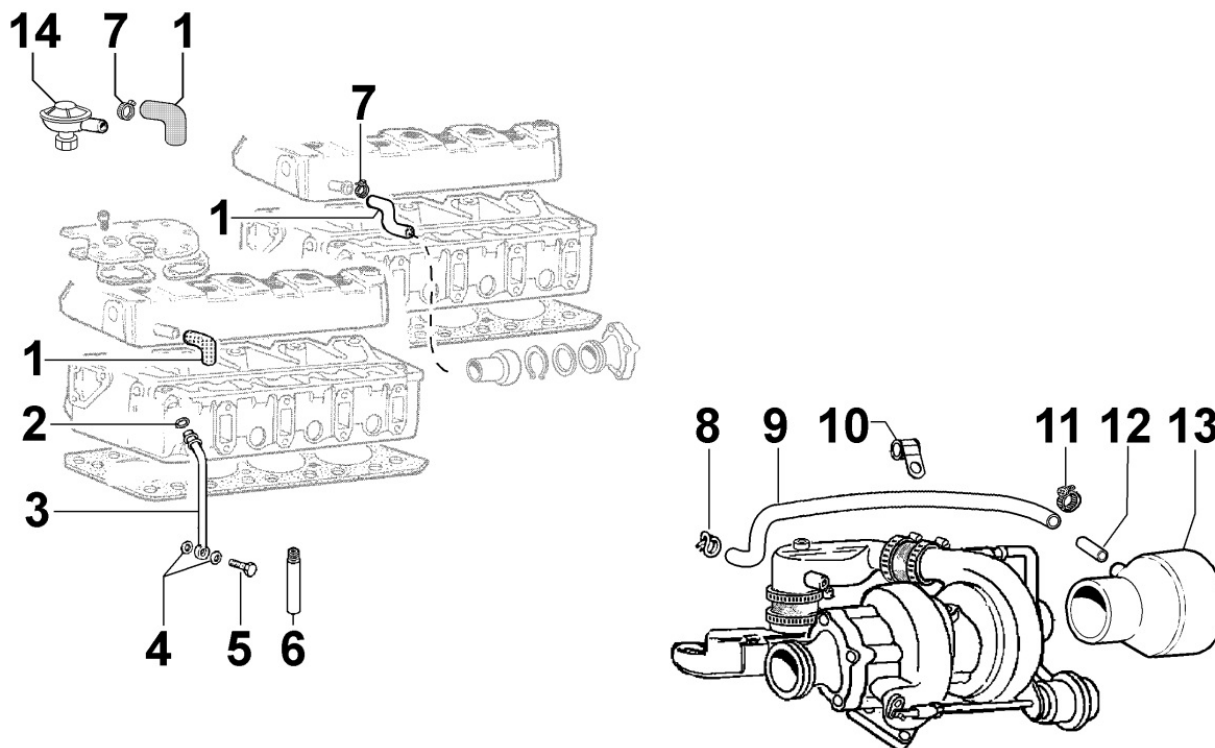
8043300050 - OIL DIPSTICK

8 043 30



Pos	Kit	Included In	Code	Description	Qty	Old Code	Tech. Info
3			ED0093300660-S	HOSE	1		
4			ED0012000010-S	O-RING	1		

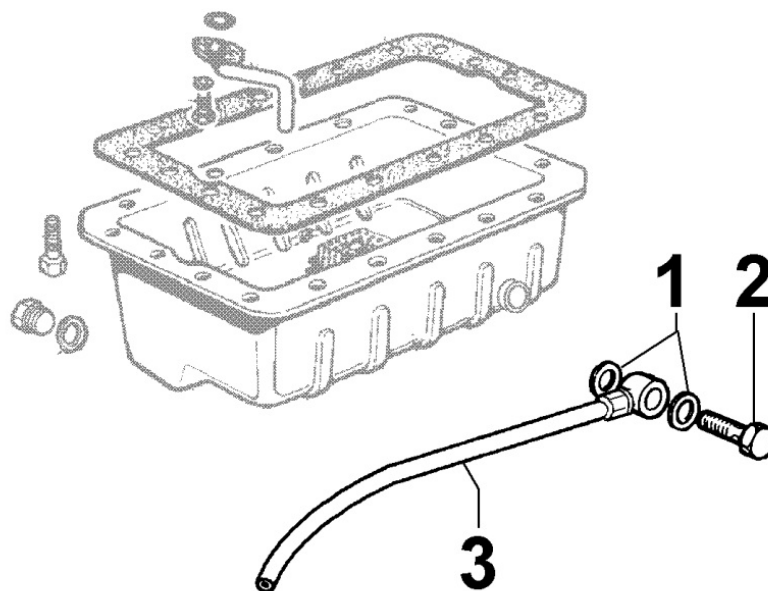
8045300030 - BREATHER SYSTEM



Pos	Kit	Included In	Code	Description	Qty	Old Code	Tech. Info
0			ED0017601150-S	SCREW	1		
0			ED0076250620-S	WASHER	1		
6			ED0095800320-S	PIPE	1		
7			ED0036301160-S	CLAMP	1		
9			ED0094000620-S	HOSE	1		⚠
10			ED0036170890-S	CLAMP	1		

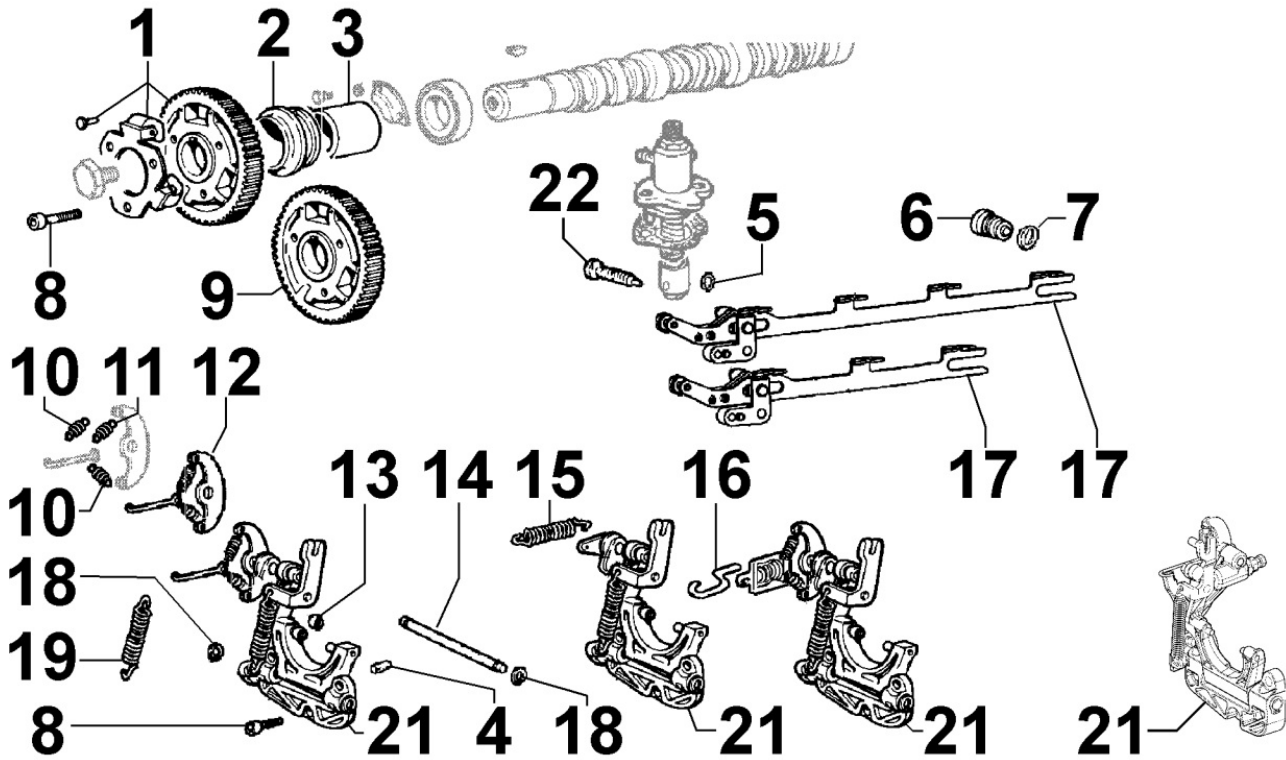
8046300020 - PUMP FOR OIL EXTRACTION

8 046 30



Pos	Kit	Included In	Code	Description	Qty	Old Code	Tech. Info
1			ED0046700610-S	GASKET	2		
2			ED0019011550-S	UNION SCREW	1		
3			ED0093201570-S	HOSE	1		

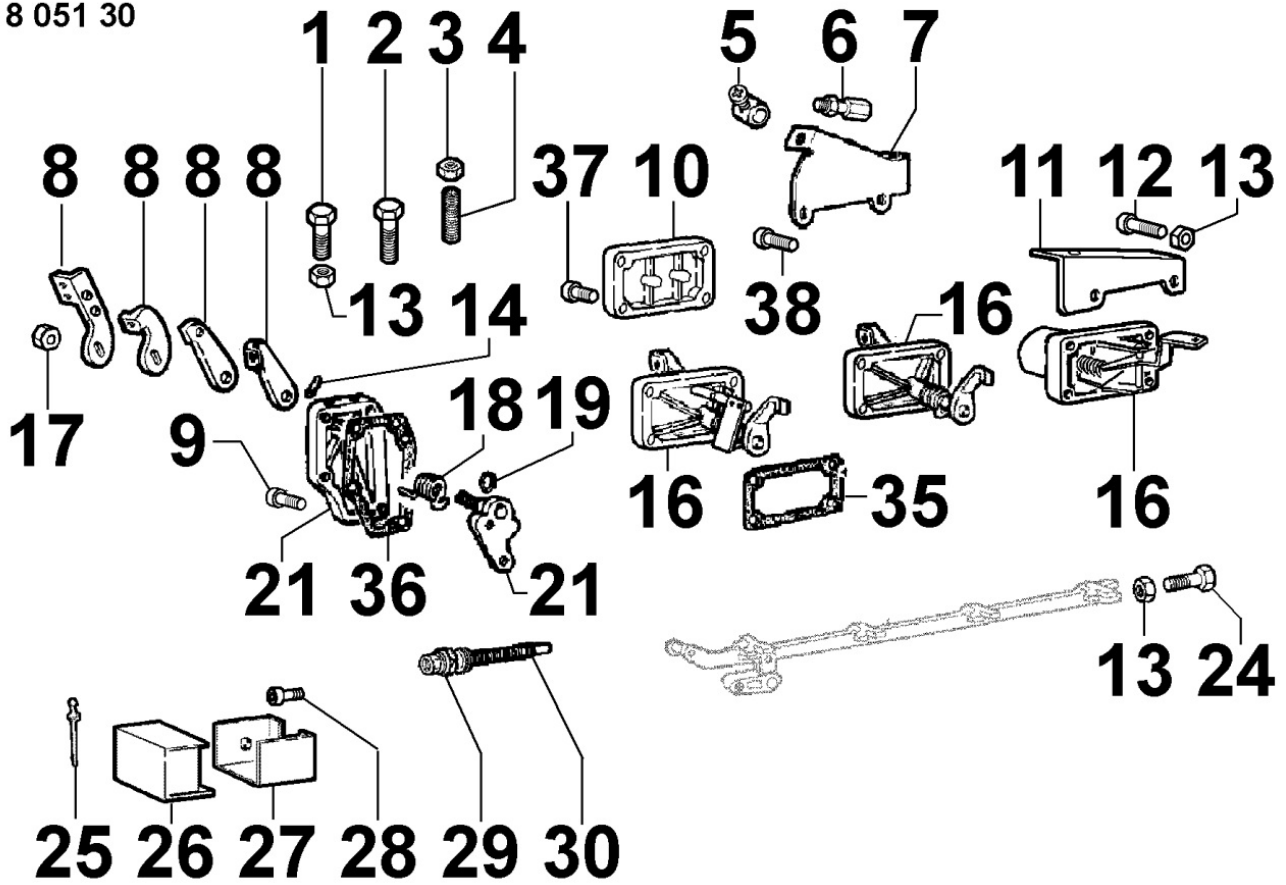
8050300140 - SPEED GOVERNOR



Pos	Kit	Included In	Code	Description	Qty	Old Code	Tech. Info
0			ED0032030480-S	NUT	1		
1			ED0073620020-S	GOVERNOR	1	ED0073622960-S	
2			ED0020861220-S	HOUSING	1		
3			ED0034950460-S	SPACER	1		
4			ED0084600550-S	PIN	2		
5			ED0076251240-S	WASHER	1		
6			ED0041901030-S	RING NUT	1		
7			ED0046700210-S	GASKET	1		
8			ED0097300100-S	SCREW	3		
10		(A) (B)	ED0056551290-S	SPRING	1		
10		(A) (B)	ED0056551350-S	SPRING	1		
12			ED0015410250-S	ROCKER ARM	1		
13			ED0019702030-S	BUSHING	2		
14		(B)	ED0061404080-S	PIN	1		
17			ED0013801090-S	ROD	1	ED0013800400-S	
19		(B)	ED0058012080-S	SPRING	1		
21	B		ED0052009060-S	LEVER	1		
22			ED0097301980-S	SCREW	1		

8051300020 - CONTROLS

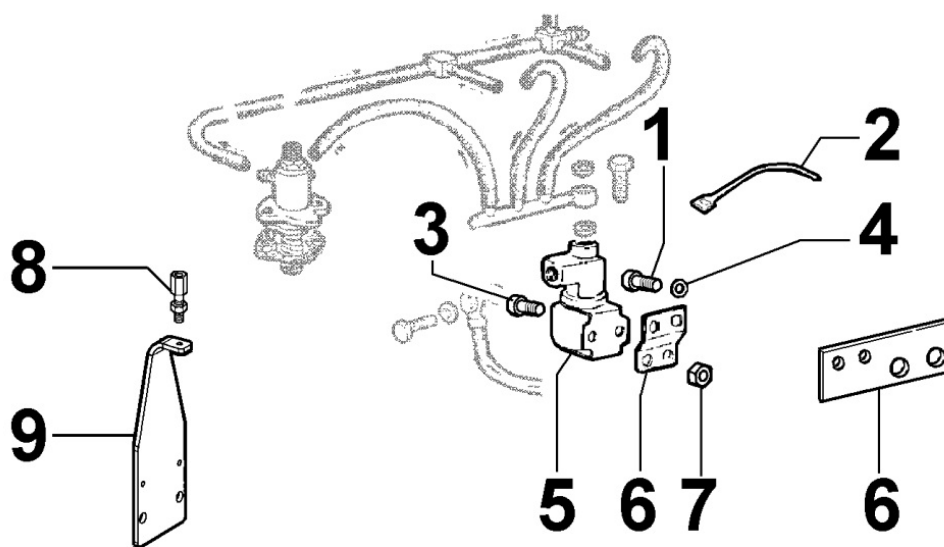
8 051 30



Pos	Kit	Included In	Code	Description	Qty	Old Code	Tech. Info
0			ED0032401640-S	NUT	1		
1			ED0017600280-S	SCREW	2		
7			ED0050600090-S	SUPPORT	1		
8			ED0052001080-S	LEVER	1		
9		(A) (B)	ED0012000520-S	O-RING	2		
14			ED0084300040-S	TAPER PIN 3X12 DIN 1481	1		⚠
15			ED0097301070-S	SCREW	2		
16	(B)		ED0025161050-S	CONTROL	1		
18		(A) (B)	ED0056801260-S	SPRING	1		
21	(A)		ED0025161650-S	CONTROL	1		
24			ED0017600340-S	SCREW	1		
30			ED0085761190-S	CHOKE	1		
35			ED0044312050-S	GASKET	1		
36			ED0044312060-S	GASKET	1		
37			ED0097300090-S	SCREW	6		

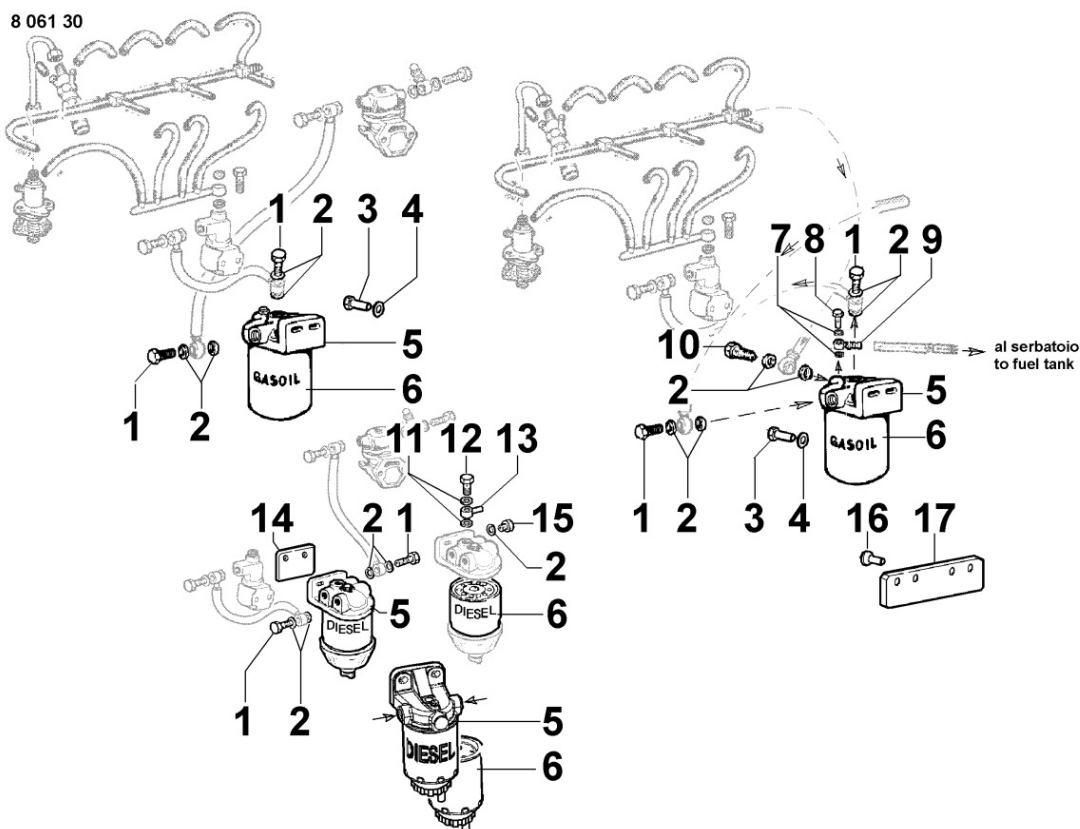
8052300030 - ELECTROVALVE

8 052 30



Pos	Kit	Included In	Code	Description	Qty	Old Code	Tech. Info
3			ED0097300120-S	SCREW	2		
6			ED0089003360-S	SUPPORT	1		

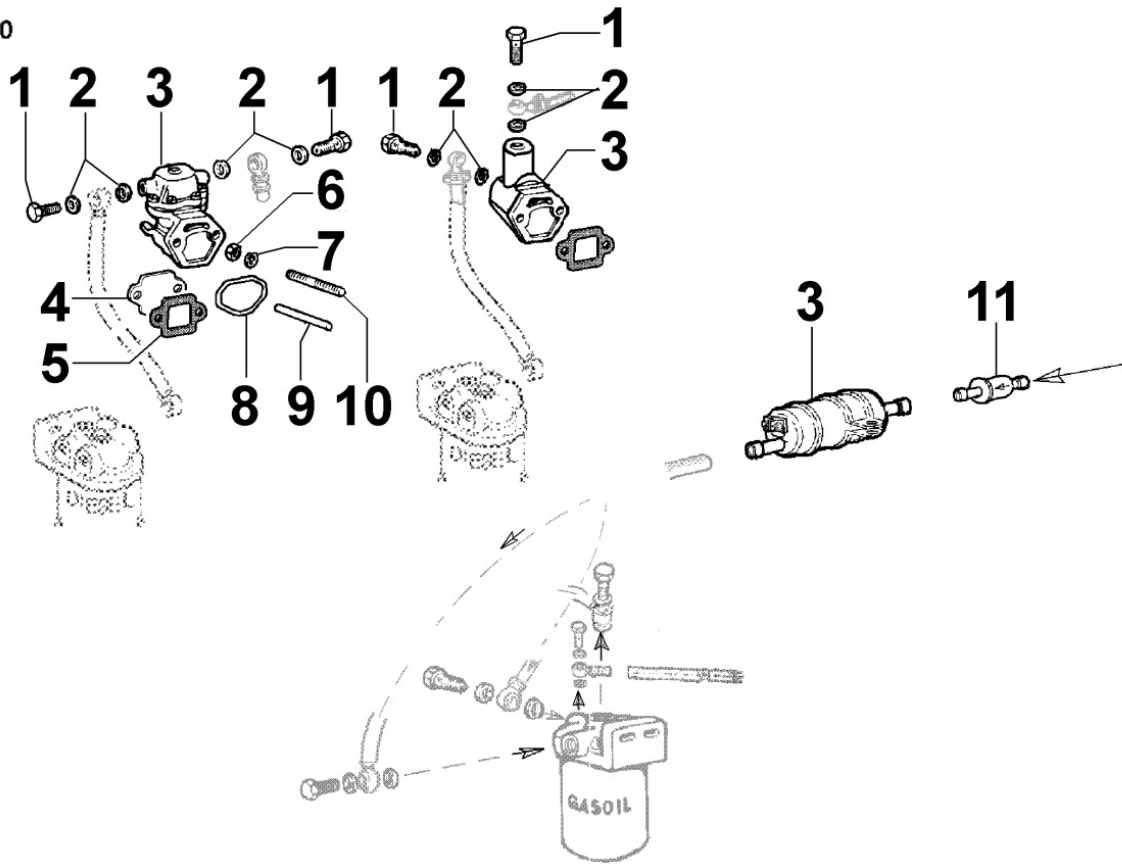
8061300060 - FUEL FILTER



Pos	Kit	Included In	Code	Description	Qty	Old Code	Tech. Info
1			ED0019010320-S	UNION SCREW	2		
2			ED0046700610-S	GASKET	4		
4			ED0076250200-S	WASHER	2		
5			ED0037300820-S	FILTER	1		
6		(A)	ED0021752860-S	FUEL CARTRIDGE	1	ED0021750460-S	

8062300020 - FUEL FEED PUMP

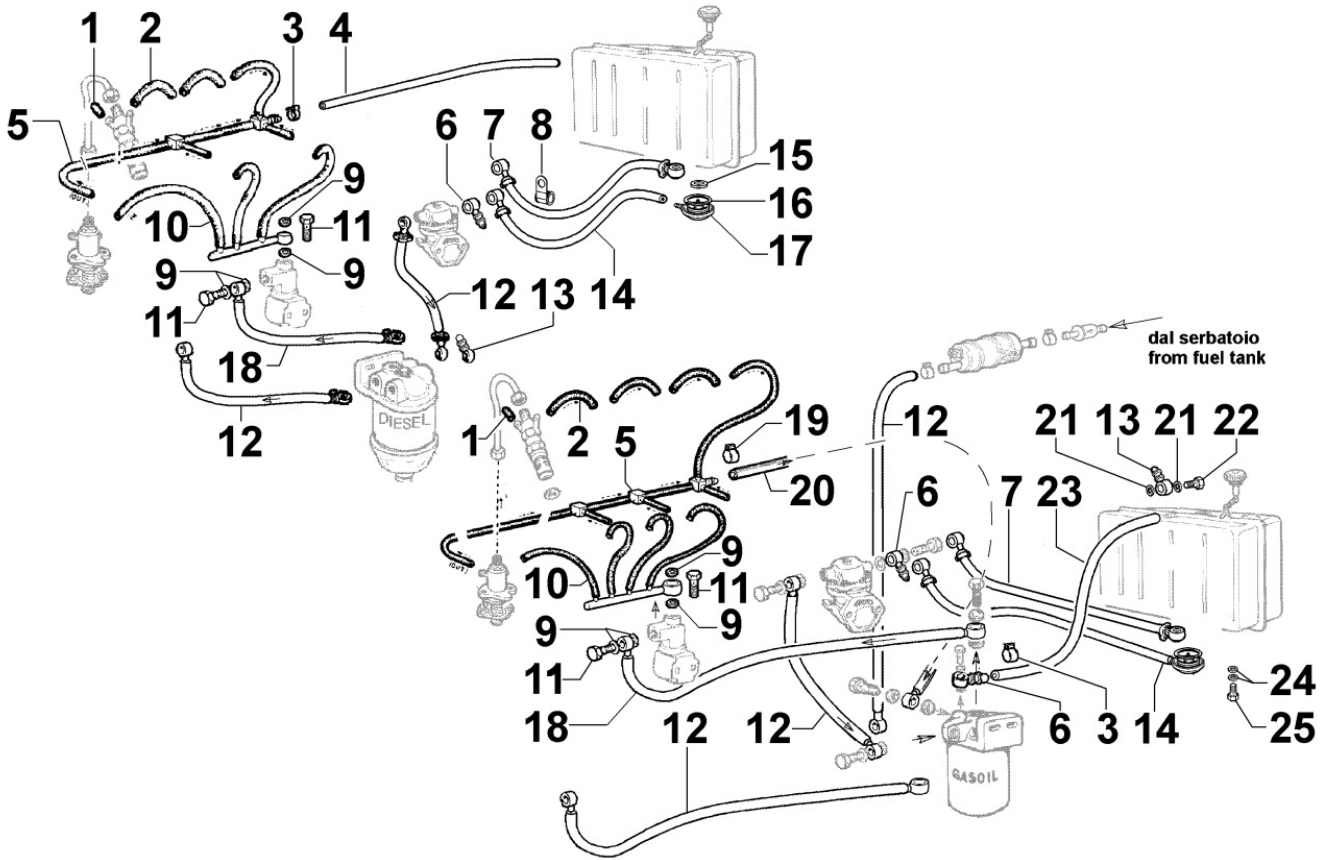
8 062 30



Pos	Kit	Included In	Code	Description	Qty	Old Code	Tech. Info
1			ED0019011930-S	UNION SCREW	2	ED0019010300-S	
2			ED0046700590-S	GASKET	4		
3			ED0065851390-S	LIFT PUMP	1	ED0065850660-S	
6			ED0032401640-S	NUT	2		
6			ED0032401640-S	NUT	2	ED0032030470-S	
7			ED0075650070-S	WASHER	2		
7			ED0075550290-S	WASHER	2		
8			ED0012000870-S	O-RING	1		
9			ED0072000780-S	DRIVE ROD	1		
10			ED0067800490-S	STUD	2		

8064300360 - FUEL LINES

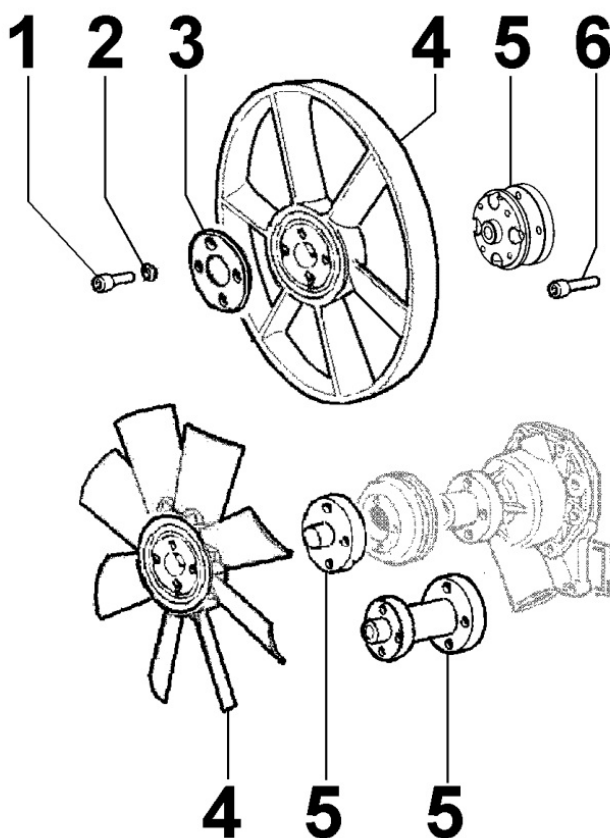
8 064 30



Pos	Kit	Included In	Code	Description	Qty	Old Code	Tech. Info
0			KDISC.		1	ED0072701400-S	
1			ED0090802620-S	CAP	1		
2			ED0095711980-S	FUEL RETURN HOSE	3		
5			ED0095712010-S	FUEL RETURN HOSE	1		
9			ED0046700590-S	GASKET	4		
11			ED0019011930-S	UNION SCREW	2		⚠
13			ED0072701070-S	JOINT	1		

8071300010 - COOLING FAN

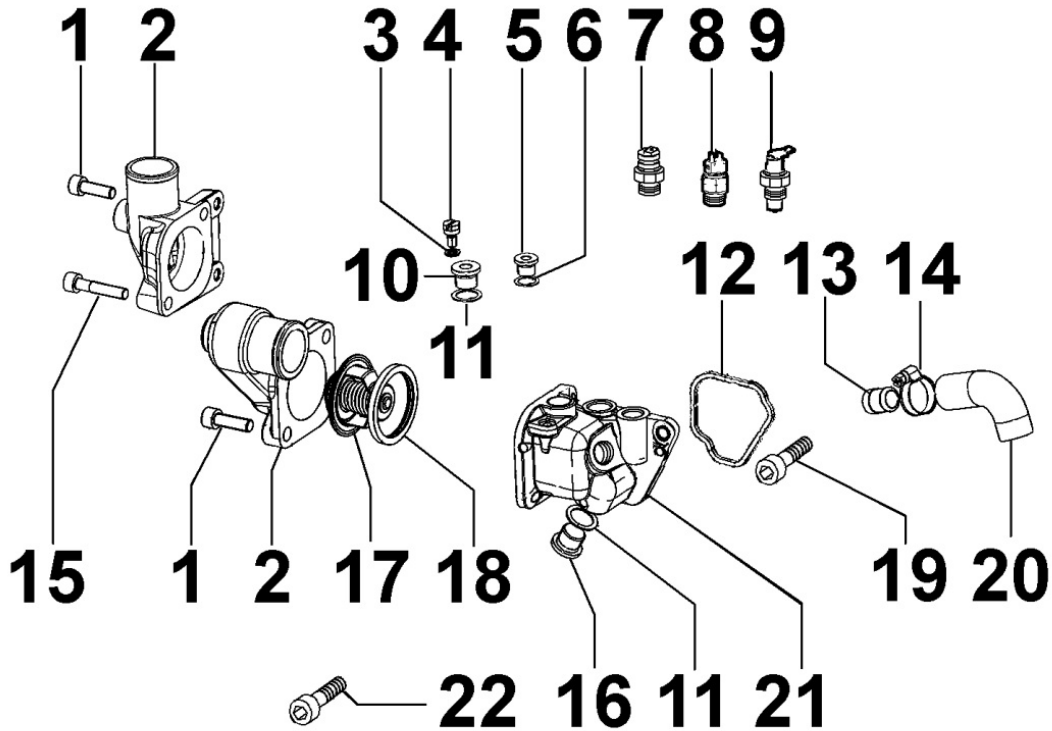
8 071 30



Pos	Kit	Included In	Code	Description	Qty	Old Code	Tech. Info
1			ED0097300120-S	SCREW	4		
2			ED0076250620-S	WASHER	4		

8074300330 - THERMOSTAT UNIT

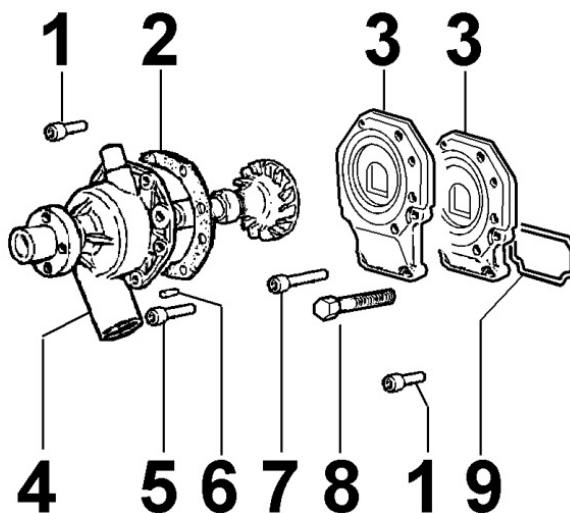
8 074 30



Pos	Kit	Included In	Code	Description	Qty	Old Code	Tech. Info
1		(A)	ED0097301000-S	SCREW	2		
2		(A)		POS. 21			
3		(A)	ED0046700010-S	GASKET	1		
4		(A)	ED0090800370-S	CAP	1		
5			ED0090400120-S	CAP	2		
6		(A)	ED0046700610-S	GASKET	3		
7			ED0091950780-S	TEMPERATURE SENSOR	1		
7		(A)	ED0091950770-S	SENSOR	1		
10		(A)	ED0090400310-S	CAP	1		
11		(A)	ED0046700190-S	GASKET	1		
12			ED0012002390-S	O-RING	1		
13		(A)	ED0072850240-S	JOINT	1		
14			ED0036301470-S	CLAMP	1		
17		(A)	ED0091950010-S	VALVE	1	ED0091950920-S	
18		(A) (B)	ED0044201220-S	GASKET	1		
19			ED0097302670-S	SCREW	1		
20		(A)	ED0093050190-S	HOSE	1		
22			ED0097320740-S	SCREW	1		

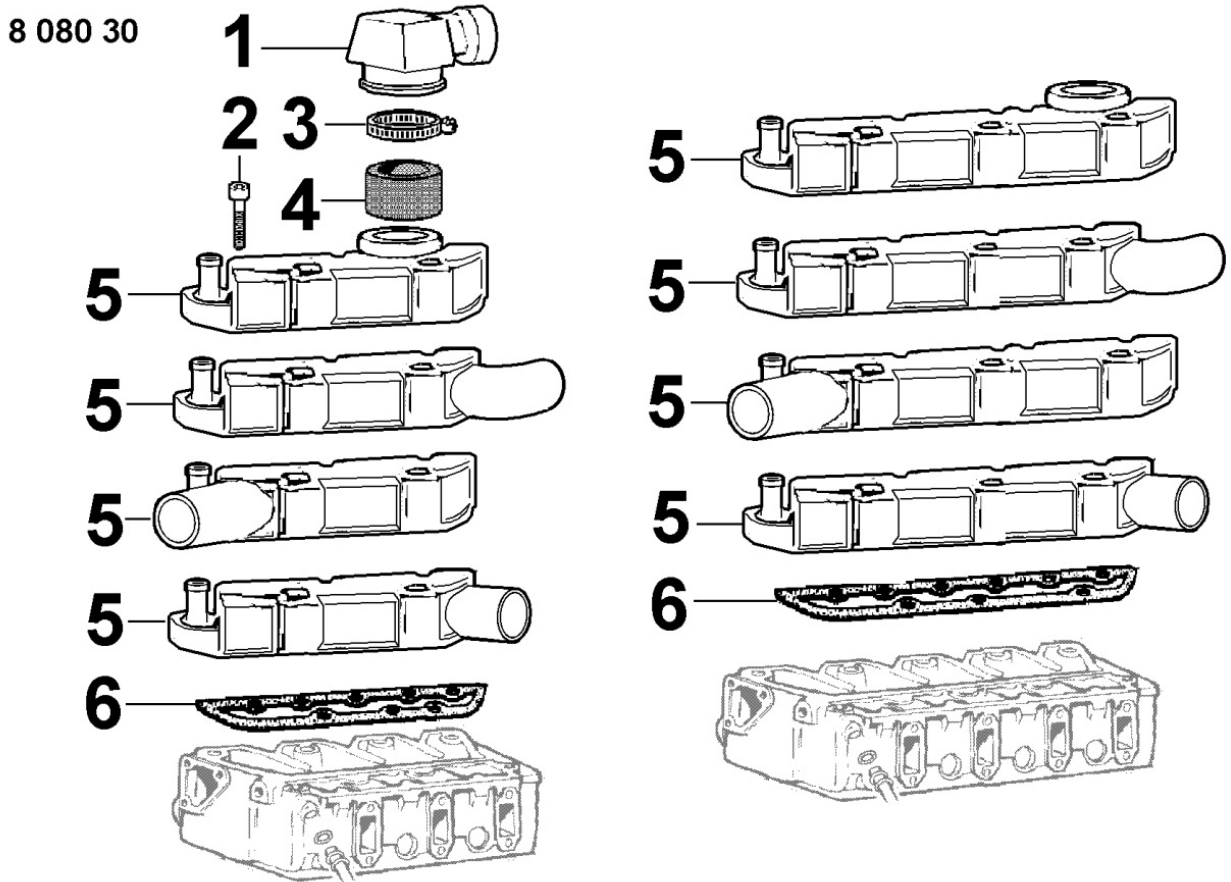
8077300060 - COOLANT PUMP

8 077 30 015 0 Pompa acqua
Water pump



Pos	Kit	Included In	Code	Description	Qty	Old Code	Tech. Info
1			ED0097301000-S	SCREW	7		
2			ED0045801220-S	GASKET	1		▲
3		(A)		POS. 4			
4	(A)		ED0065844450-S	COOLANT PUMP	1	ED0088361760-S	▲
4			KDISC.		1	ED0065844190-S	
4	(A)		ED0065844450-S	COOLANT PUMP	1		▲
5			ED0097320640-S	SCREW	1		
6			ED0084300550-S	TAPER PIN	1		
8			ED0097320370-S	SCREW	1		
9			ED0012001160-S	O-RING	1		

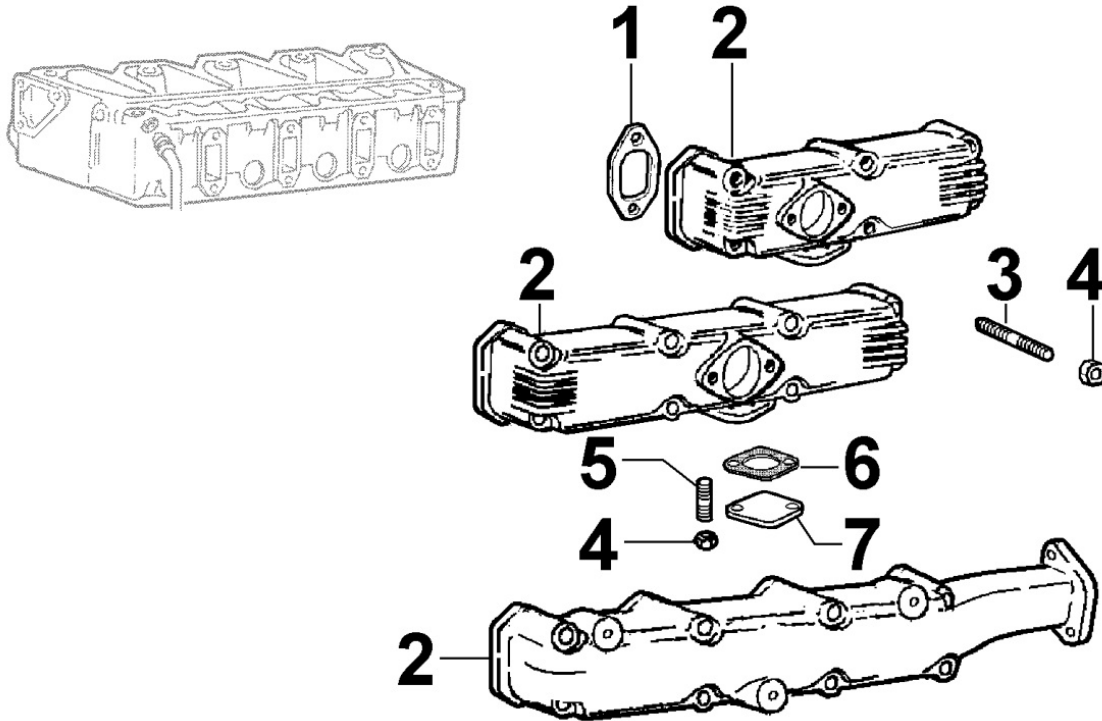
8080300110 - AIR INLET MANIFOLD / AIR FILTER



Pos	Kit	Included In	Code	Description	Qty	Old Code	Tech. Info
2			ED0097300350-S	SCREW	7		
5			KDISC.		1	ED0024862800-S	
5			ED0024862950-S	MANIFOLD	1		
6			ED0044200830-S	GASKET	1	ED0044200540-S	

8085300020 - EXHAUST GAS MANIFOLD

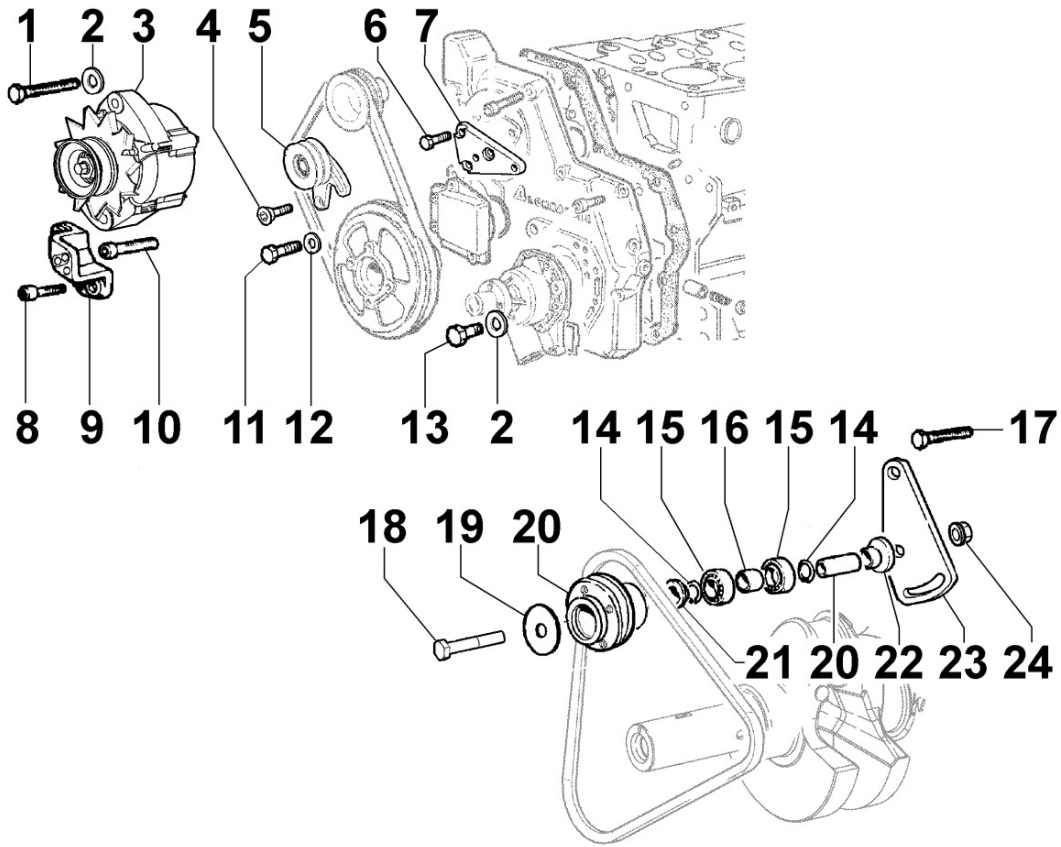
8 085 30



Pos	Kit	Included In	Code	Description	Qty	Old Code	Tech. Info
1			ED0044200710-S	GASKET	4		

8100300040 - VOLTAGE ALTERNATOR

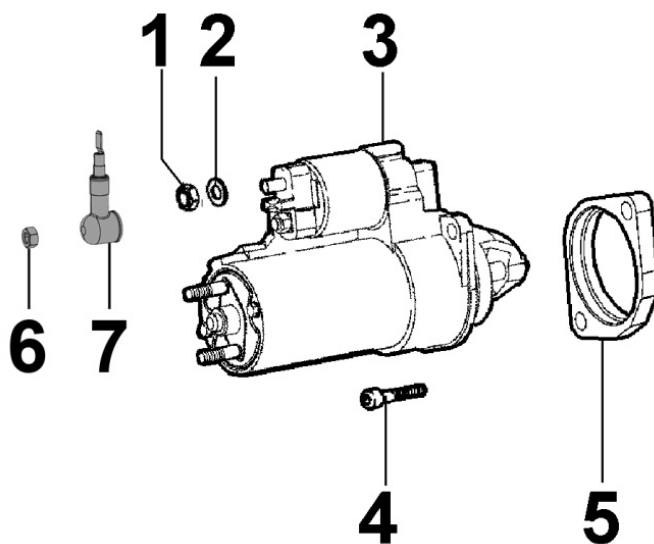
8 100 30



Pos	Kit	Included In	Code	Description	Qty	Old Code	Tech. Info
1			ED0017800270-S	SCREW	2		
2			ED0076252560-S	WASHER	2		
3			ED0011573600-S	ALTERNATOR	1	ED0011572690-S	
8			ED0097301000-S	SCREW	2		
9			ED0087250520-S	SUPPORT	1		
10			ED0097300310-S	SCREW	1		

8101300030 - STARTING MOTOR

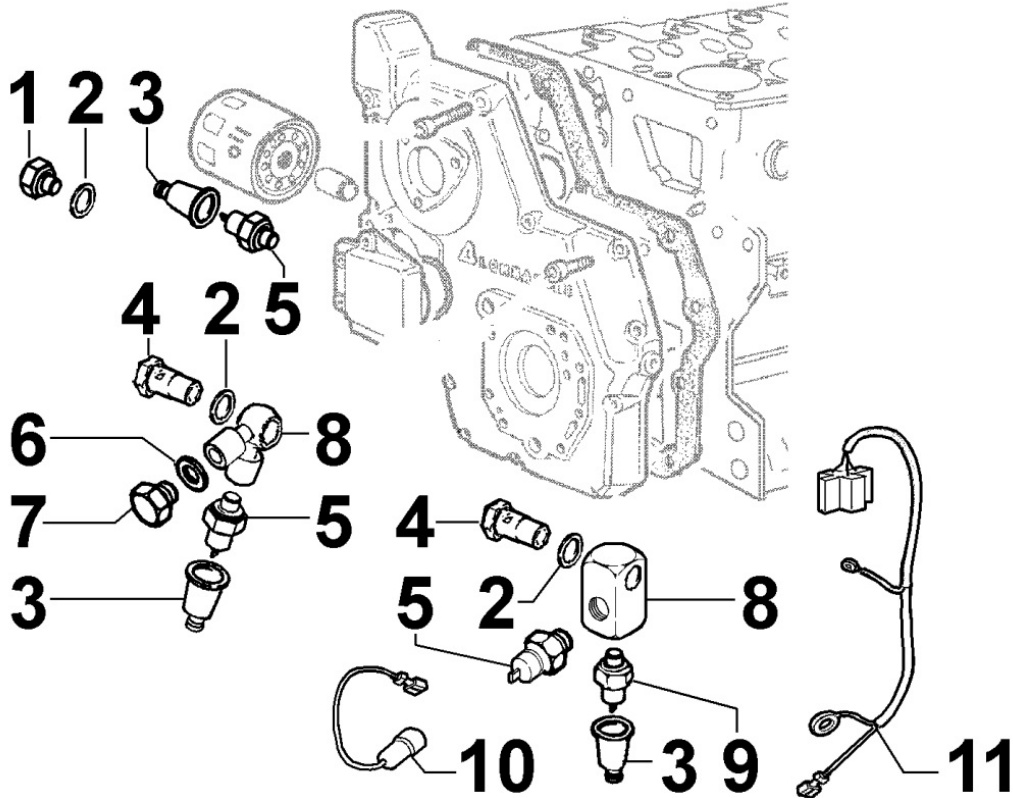
8 101 30



Pos	Kit	Included In	Code	Description	Qty	Old Code	Tech. Info
3			ED0058400960-S	STARTER MOTOR	1	ED0058401830-S	
4			ED0097300460-S	SCREW	2		
5			ED0035090070-S	SPACER	1		

8102300010 - OIL PRESSURE SWITCH

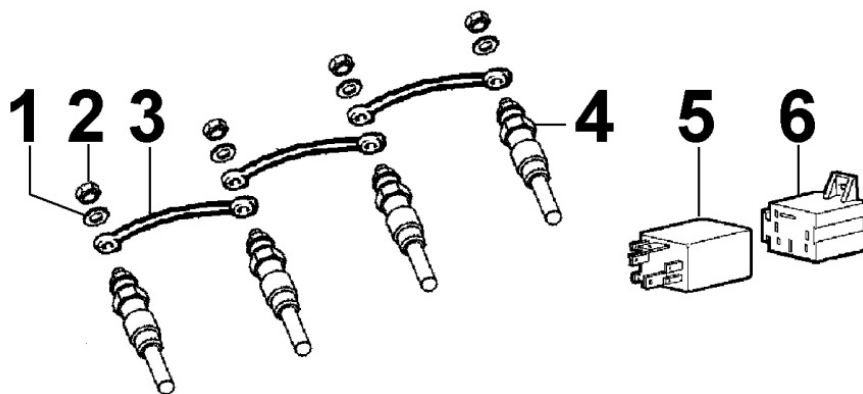
8 102 30



Pos	Kit	Included In	Code	Description	Qty	Old Code	Tech. Info
3			ED0064910130-S	GROMMET	1		
5			ED0067450930-S	SWITCH	1		

8106300020 - GLOW PLUGS / PRE-HEATING RELAY

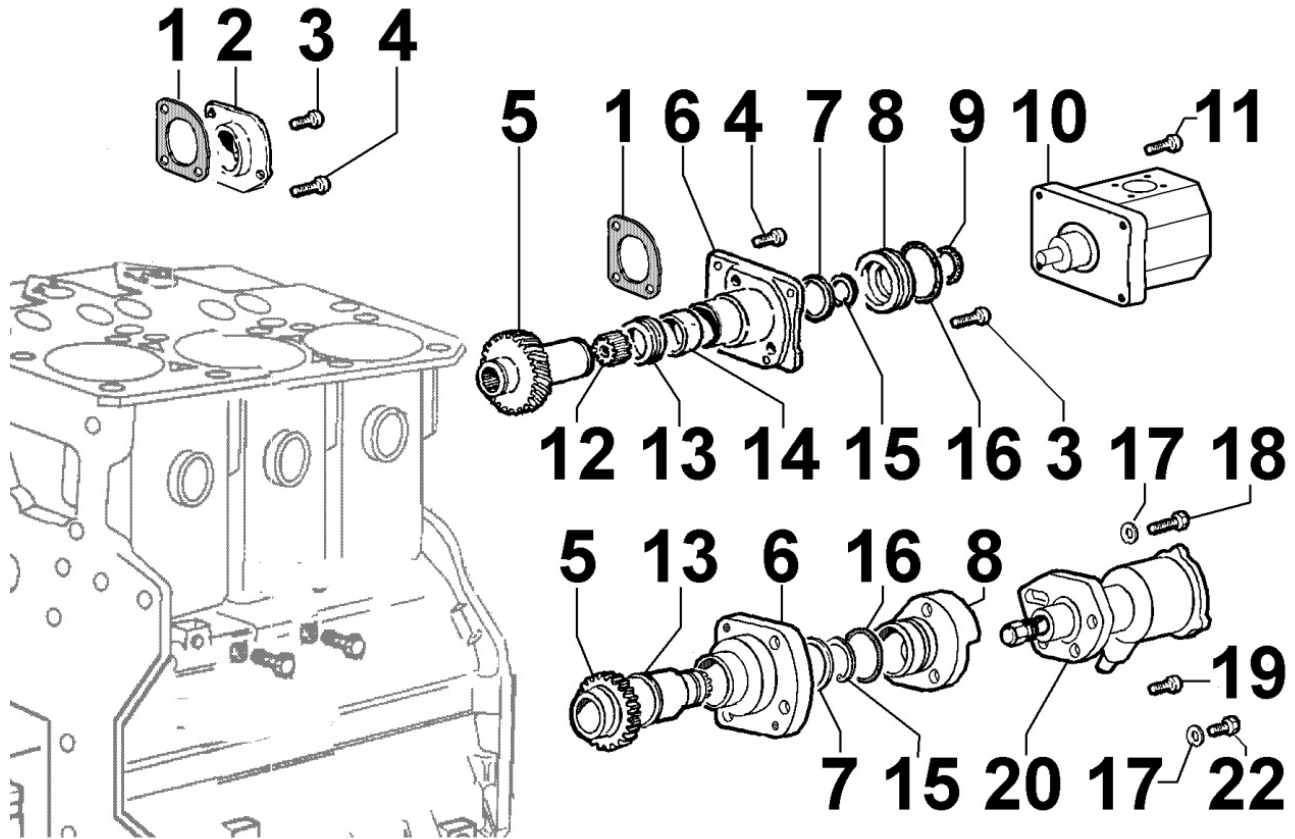
8 106 30



Pos	Kit	Included In	Code	Description	Qty	Old Code	Tech. Info
3			ED0021855480-S	CABLE	3		
4			ED0021000890-S	GLOW PLUG	4	ED0021000980-S	

8140300020 - 3rd PTO

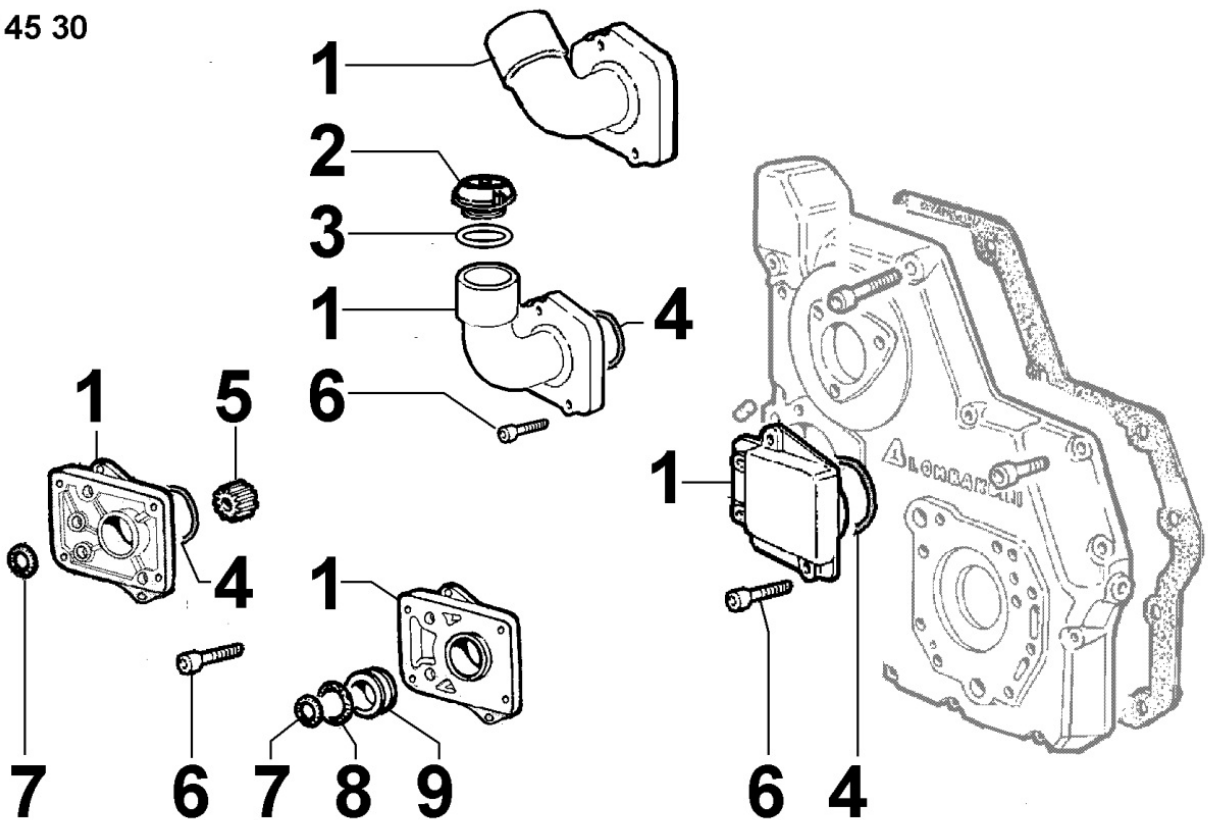
8 140 30



Pos	Kit	Included In	Code	Description	Qty	Old Code	Tech. Info
1			ED0045801850-S	GASKET	1		
2			ED0026500560-S	COVER	1		
3			ED0097300120-S	SCREW	2		
3			ED0097320740-S	SCREW	1		
4			ED0097301000-S	SCREW	2		
4			ED0097300100-S	SCREW	2		
6	(A)		ED0038100830-S	FLANGE	1		
14		(A)	ED0015801470-S	BUSHING	2		
15			ED0012400370-S	SNAP RING	1		
16			ED0012000730-S	O-RING	1		

8145300080 - 4th PTO

8 145 30



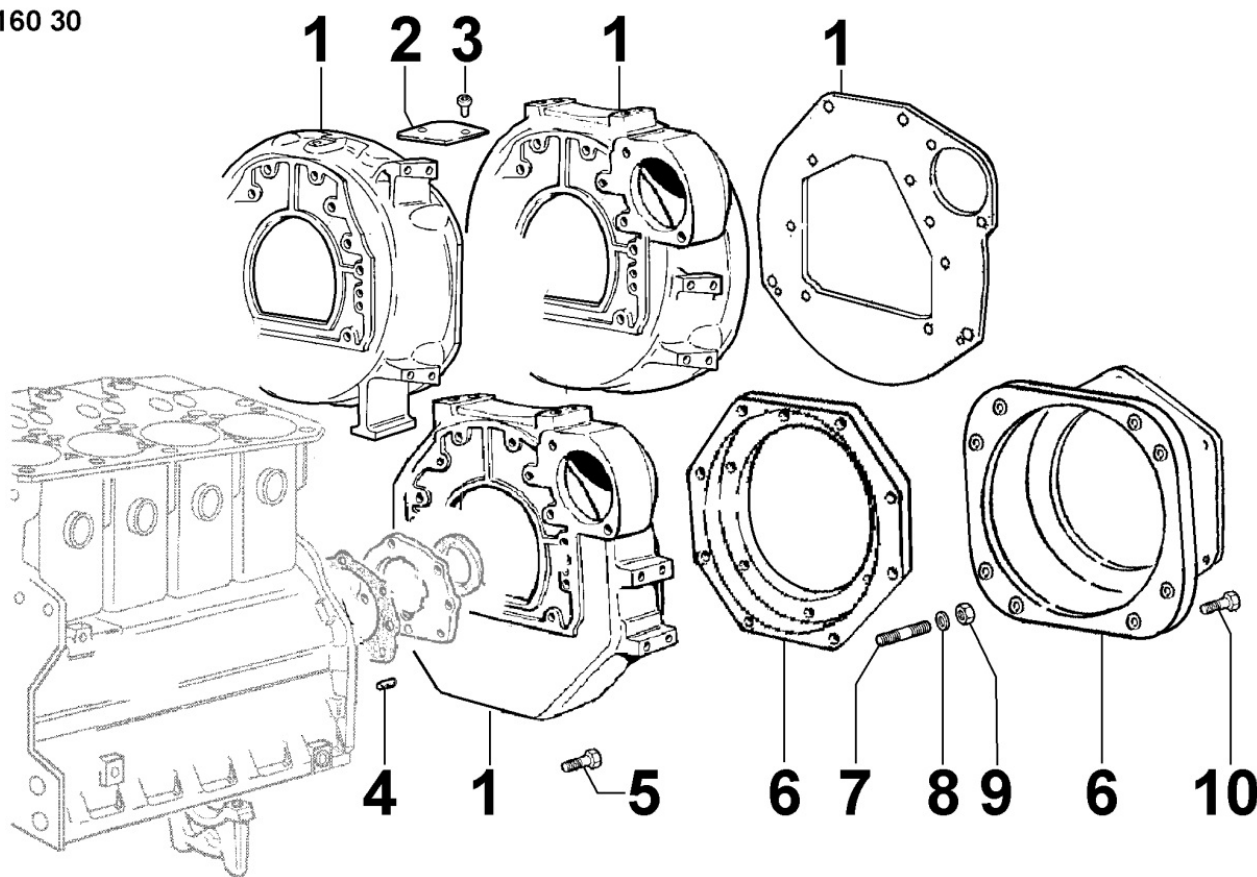
Pos	Kit	Included In	Code	Description	Qty	Old Code	Tech. Info
4			ED0012000910-S	O-RING	1		
5			ED0054000540-S	JUNCTION	1		
6			ED0097300100-S	SCREW	4		
6			ED0097300120-S	SCREW	4		
8			ED0012010920-S	O-RING	1		

8152300010 - HOURMETER, TACHOMETER, RIGHT ANGLE GEAR

Pos	Kit	Included In	Code	Description	Qty	Old Code	Tech. Info
0			ED0044311460-S	GASKET	1		
0			ED0026150400-S	COVER	1		
0			ED0097300100-S	SCREW	3		

8160300080 - ENGINE FLANGE / BACKPLATE

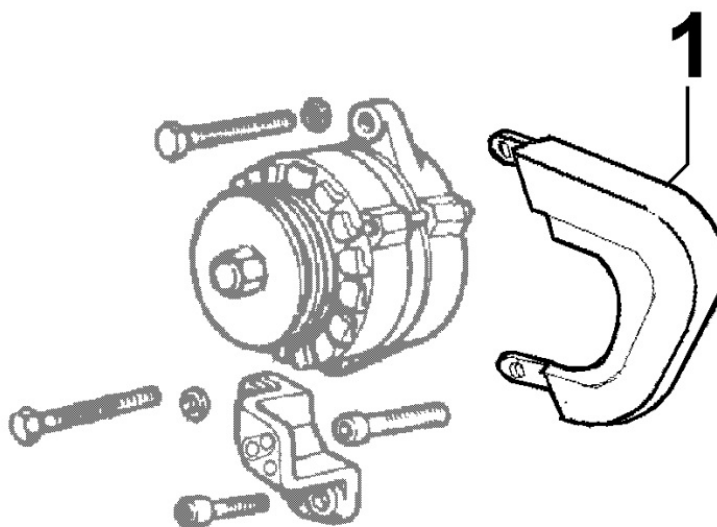
8 160 30



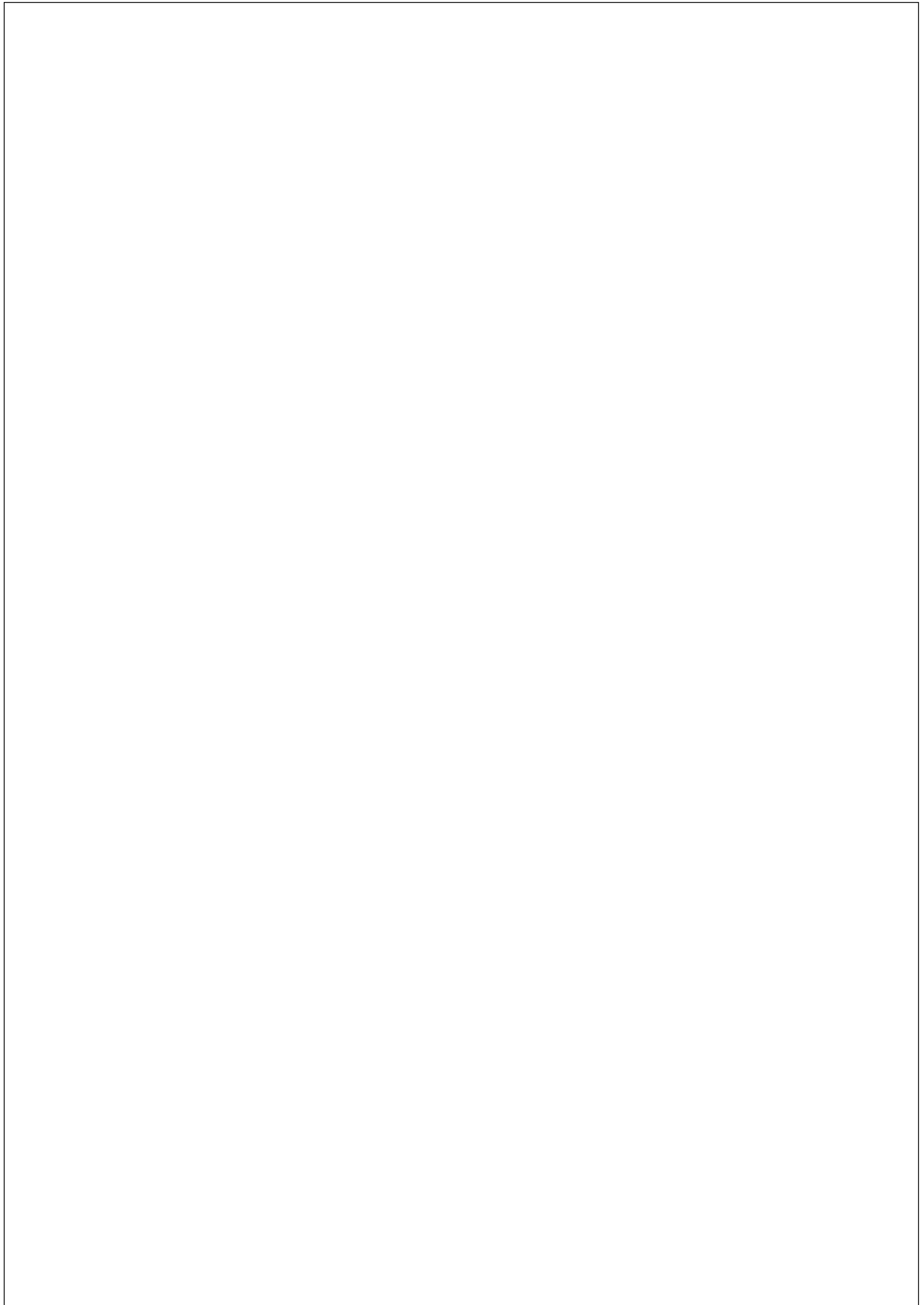
Pos	Kit	Included In	Code	Description	Qty	Old Code	Tech. Info
1			ED0020323570-S	FLYWHEEL HOUSING	1		
4			ED0084001080-S	PIN	2		
5			ED0017800310-S	SCREW	12		

8173300010 - ALTERNATOR GUARD

8 173 30



Pos	Kit	Included In	Code	Description	Qty	Old Code	Tech. Info
1			ED0069274820-S	GUARD	1		



KOHLER® ENGINES