

Fig. 11

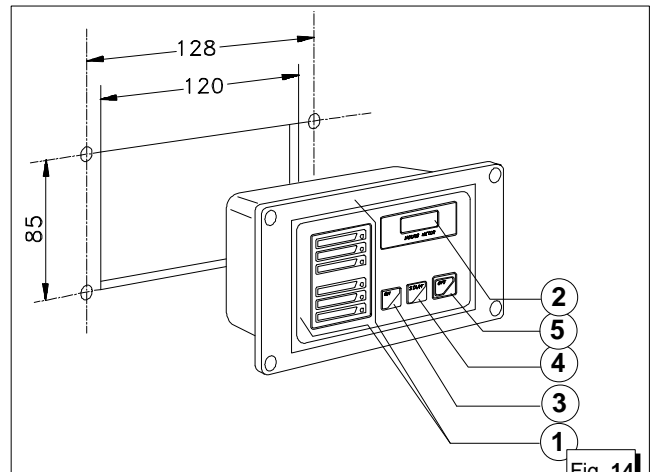


Fig. 14

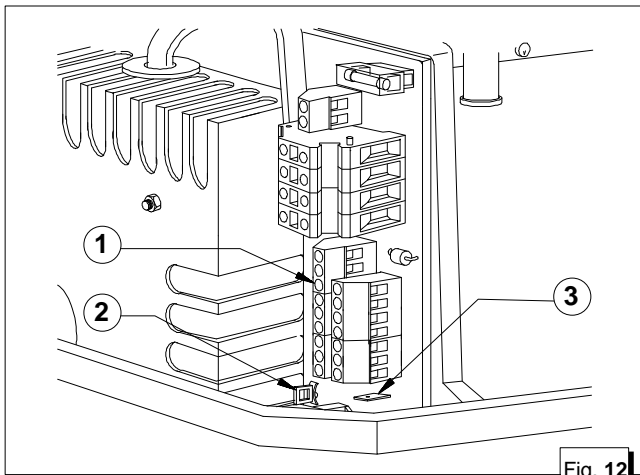


Fig. 12

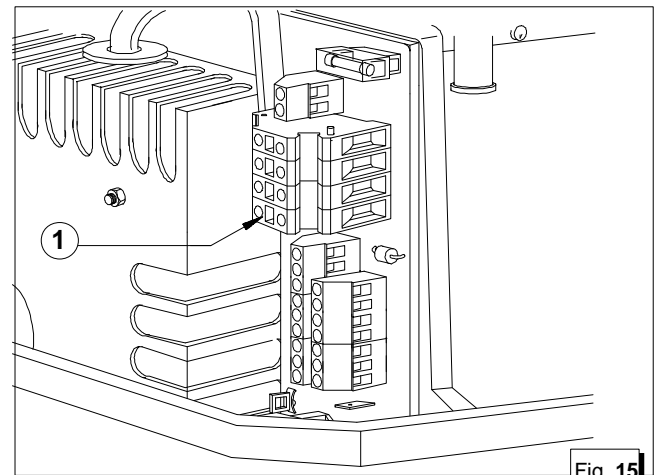


Fig. 15

**ALLACCIAMENTO CRUSCOTTO / C. PANEL CONNECTION
BRANCHEMENT / AANSLUITINGEN BEDIENINGSPANEEL**

| NUMERAZIONE SCHEDA COMANDI | | | | | |
|-------------------------------|--------|--------------------|----------------|------------------------|------------------------|
| PRINTED CIRCUIT NUMBERING | COLORE | COLOUR | COULEUR | KLEUR | |
| NUMERATION CARTE COMMANDES | | | | | |
| PRINTPLAAT AANSULUITINGEN | | | | | |
| 9X 0,35 mm | 1 | MARRONE | BROWN | MARRON | BRUIN |
| | 2 | BIANCO | WHITE | BLANC | WIT |
| | 3 | BLUE | BLUE | BLUE | BLAUW |
| | 4 | GRIGIO | GREY | GRIS | GRIJS |
| | 5 | VERDE | GREEN | VERT | GROEN |
| | 6 | ROSA | PINK | ROSE | ROZE |
| | 7 | GIALLO | YELLOW | JAUNE | GEEL |
| | 8 | NERO | BLACK | NOIR | ZWART |
| | 9 | ROSSO | RED | ROUGE | ROOD |
| | | CALZA METALLICA | EARTH BRAID | CONDUCT. MATALLIQUE | AFSCHERMINGS- KABEL |

Fig. 13