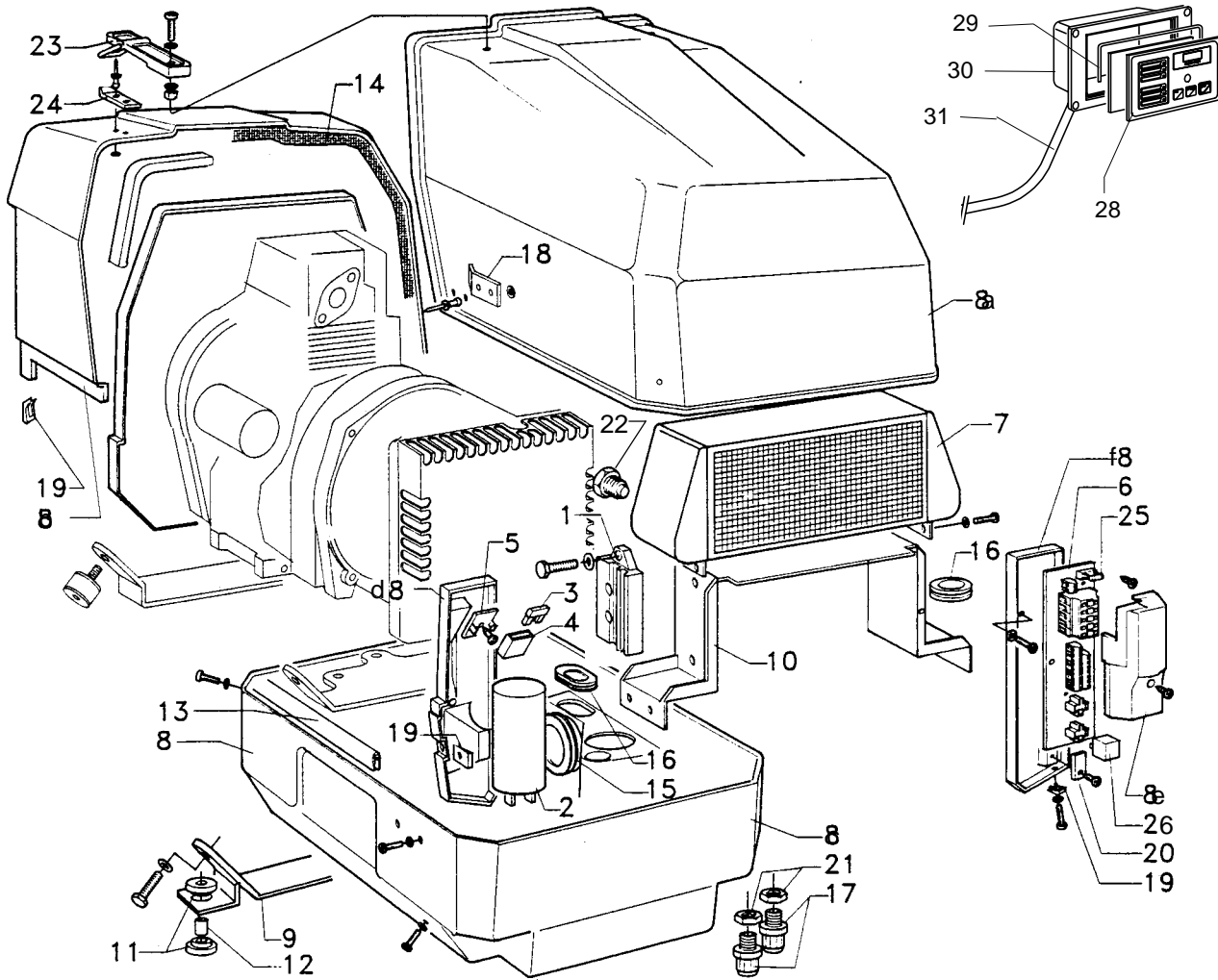




# IS2.5 FRAME

exploded diagram and parts list



Ref	Part#	Qty	Description	Ref	Part#	Qty	Description
1	80542	1	Battery charger	26	31678	2	Relay
2	20203	1	Capacitor 12.5 µF	27	70878	1	Bulkhead
3	31002	1	Fuse 20A	28	91034	1	Printed circuit
4	30925	1	Fuse holder	29	70786	15-3/4"	Gasket
5	30926	1	Plate	30	70854	1	Printed circuit box
6	31003	1	Printed circuit	31	31342	33'	Control panel cable
7	61181	1	Water-air heat exchanger				
8a	90902	1	Soundproof box cover				
8b	90903	1	Soundproof box cover				
8c	90904	1	Soundproof box bottom				
8d	70882	1	Capacitor box				
8e	70876	1	Cover				
8f	70881	1	Box				
9	61160	2	Bracket				
10	61161	1	Bracket				
11	70733	8	Shock absorber				
12	10780	4	Spacer				
13	70739	1-1/4"	Gasket				
14	70809	1	Sponge set				
15	10567	1	Cable guide				
16	10566	1	Cable guide				
17	70799	2	Cable guide				
18	07337	2	Plate				
19	10823	7	Nut				
20	10824	1	Nut				
21	70800	2	Nut				
22	80162	1	Zinc anode				
23	04306	4	Strap				
24	10815	4	Plate				
25	30448	1	Fuse				