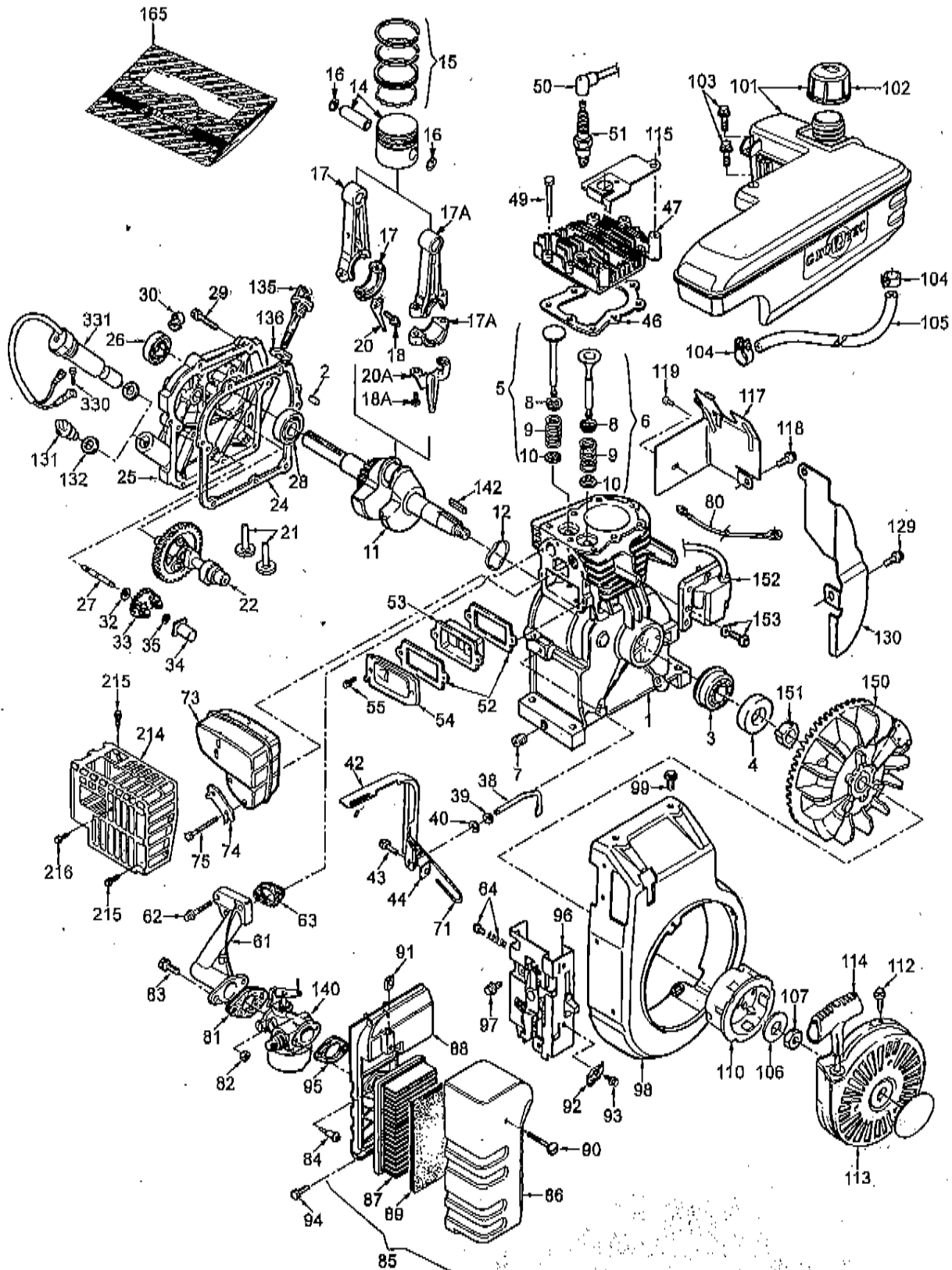




GEOTEC

Issued: 08/98
Revised: 08/99

Division	3
Section	B

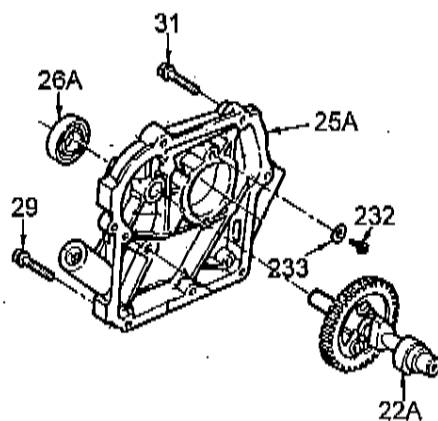


Tecumseh products made in Italy by
TECUMSEH EUROPA S.p.A.

3	Division
B	Section

GEOTEC

Issued: 08/98
Revised: 08/99



Tecumseh products made in Italy by

TECUMSEH EUROPA S.p.A.



GEOTEC Models

Issued: 08/98
Revised: 08/99

Division	3
Section	B

Ref.No.	Part No.	Part name & Spec. Nos.
1	16010084	Cylinder Assy. (Inc.-2,3,4,7)(71.00 mm Bore) E-28000 ,001,002,003,007,008
1	16010085	Cylinder Assy. (Inc.-2,3,4,7)(63.50 mm Bore) E-25000 ,001,002,003
1	16010088	Cylinder Assy. (Inc.-2,3,4,7)(66.60 mm Bore) E-27004 ,005
2	29410001	Dowel Pin
3	27430009	Ball Bearing
4	29610034 *	Oil Seal
5	16130001	Intake Valve (Inc.-9,10)(Std)
5	16130002	Intake Valve (Inc.-9,10)(OS. 0.80 mm)
6	16140009	Exhaust Valve (Inc.-9,10)(Std)
6	16140010	Exhaust Valve (Inc.-9,10)(OS. 0.80 mm)
7	29320003	Oil Drain Plug E-25000 ,002,003 E-27004 ,005 E-28000 ,002,003,007,008
7	29320096	Oil Drain Plug E-25001 E-28001
8	22470008	Upper Valve Spring Keeper E-25000 ,001,002,003 E-28000 ,001,002,003,007
9	27910003	Valve Spring
10	22470006	Lower Valve Spring Keeper
11	16070106	Crankshaft E-25000 ,001,002,003
11	16070108	Crankshaft * E-27005 E-28000 ,001,002,003,007,008
11	16070109	Crankshaft E-27004
12	29520024	Thrust Washer E-28008
12	29590029	Thrust Washer E-25000 ,001,002,003 E-27004 ,005 E-28000 ,001,002,003,007
14	16090007	Piston & Pin Assy. (Inc.-16)(Std 63.50 mm Bore) E-25001 ,002,003
14	16090008	Piston & Pin Assy. (Inc.-16)(OS. 0.25 mm)
14	16090009	Piston & Pin Assy. (Inc.-16)(OS. 0.50 mm) E-25000 ,001,002,003
14	16090027	Piston & Pin Assy. (Inc.-16)(OS. 0.25 mm)
14	16090028	Piston & Pin Assy. (Inc.-16)(OS. 0.50 mm)
14	16090029	Piston & Pin Assy. (Inc.-16)(Std 66.60 mm Bore) E-27004 ,005
14	16090033	Piston & Pin Assy. (Inc.-16)(Std 71.00 mm Bore)
14	16090034	Piston & Pin Assy. (Inc.-16)(OS. 0.25 mm)
14	16090035	Piston & Pin Assy. (Inc.-16)(OS. 0.50 mm) E-28000 ,001,002,003,007,008
15	16100009	Ring Set (Std 63.50 mm Bore)
15	16100010	Ring Set (OS. 0.25 mm)
15	16100011	Ring Set (OS. 0.50 mm) E-25000 ,001,002,003
15	16100018	Ring Set (Std 66.60 mm Bore)
15	16100019	Ring Set (OS. 0.25 mm)

Note: Always check Master Price List for replacement part numbers.

Tecumseh products made in Italy by

TECUMSEH EUROPA S.p.A.

3	Division
	Section
B	

GEOTEC Models

Issued: 08/98
Revised: 08/99



Ref.No.	Part No.	Part name & Spec. Nos.
15	16100020	Ring Set (OS. 0.50 mm) E-27004 ,005
15	16100024	Ring Set (Std 71.00 mm Bore)
15	16100025	Ring Set (OS. 0.25 mm)
15	16100026	Ring Set (OS. 0.50 mm) E-28000 ,001,002,003,007,008
16	29450004	Piston Pin Retainer
17	16110011	Connecting Rod (Inc.-18,20) E-27004 ,005 E-28000 ,001,002,003,007,008
17A	16110005	Connecting Rod (Inc.-18A,20A) E-25000 ,001,002,003
18	29190164	Screw 1/4-20 (L=23mm) E-27004 ,005 E-28000 ,001,002,003,007,008
18A	29190171	Screw 1/4-20 (L=24mm) E-25000 ,001,002,003
20	22330006	Oil Dipper E-27004 ,005 E-28000 ,001,002,003,007,008
20A	22330005	Oil Dipper E-25000 ,001,002,003
21	22440001	Valve Lifter
22	16120012	Camshaft (MCR) E-27004 ,005
22	16120018	Camshaft (MCR) E-28000 ,001,007,008
22	22410075	Camshaft (RCR) E-25000 ,001,002,003
22A	16120019	Camshaft (MCR) E-28002 ,003
24	29630020	* Cylinder Cover Gasket
25	16040013	Cylinder Cover (Inc.-26,27,28) E-25000 ,001,002,003 E-28000 ,001,007,008
25	16040016	Cylinder Cover (Inc.-26,27,28) E-27004 ,005
25A	16040017	Cylinder Cover (Inc.-26,26A,27,28,232,233) E-28002 ,003
26	29610002	* Oil Seal E-25000 ,001,002,003 E-27004 ,005 E-28000 ,001,007,008
26A	29610008	* Oil Seal E-28002 ,003
27	22720011	Governor Shaft
28	27430001	Ball Bearing
29	29190171	Screw 1/4-20 (L=24mm)
30	29490005	Fuel Line Clamp E-25000 ,001,002,003 E-27004 ,005 E-28000 ,001,007,008
31	29190315	Screw 1/4-20 (L=32mm) E-28002 ,003
32	29510015	Washer
33	16170005	Governor Gear
34	22740010	Governor Spool

Note: Always check Master Price List for replacement part numbers.

Tecumseh products made in Italy by

TECUMSEH EUROPA S.p.A.



GEOTEC Models

Issued: 08/98
Revised: 08/99

Division	3
Section	B

Ref.No.	Part No.	Part name & Spec. Nos.
35	29450005	Governor Retainer
38	22750017	Governor Rod
39	29510015	Washer
40	29450021	Governor Rod Retainer
42	27240145	Governor Lever
43	29160003	Screw M5 (L=20mm)
44	29220006	Nut M5
46	29620013 *	Cylinder Head Gasket E-28000 ,001,002,003,007,008
46	29620015 *	Cylinder Head Gasket E-25000 ,001,002,003
46	29620016 *	Cylinder Head Gasket E-27004 ,005
47	21210019	Cylinder Head E-25000 ,001,002,003
47	21210020	Cylinder Head E-27004 ,005 E-28000 ,001,002,003,007,008
49	29180063	Screw 5/16-18 (L=36mm)
50	15950001	Spark Plug Cover
51	29010007	Spark Plug E-25000 ,001,002,003 E-28000 ,001,002,003,007,008
51	29010015	Spark Plug E-27004 ,005
52	29630004 *	Valve Cover Gasket
53	16190005	Breather Assy. E-25000 ,001,002,003 E-28000 ,001,002,003,007
53	16190008	Breather Assy. E-27004 ,005 E-28008
54	21660010	Valve Cover
55	29190169	Screw 10-24 (L=15mm)
61	28510041	Intake Pipe
62	29190171	Screw 1/4-20 (L=24mm)
63	29630093 *	Intake Pipe Gasket
64	16630023	Control Screws Set
71	27920175	Governor Spring E-25000 ,001,002,003 E-28000 ,001,002,003,007
71	27920178	Governor Spring E-27004 ,005 E-28008
73	21520149	Muffler E-25002 E-28007
73	21520151	Muffler E-25000 ,001 E-27004 ,005 E-28000 ,001,002,003,008
73	21520155	Muffler E-25003
74	27530005	Lock Plate
75	29190152	Screw 1/4-20 (L=70mm)
80	16380001	Ground Wire
81	29630013 *	Carburettor Gasket
82	29210013	Nut 1/4-20

Note: Always check Master Price List for replacement part numbers.

Tecumseh products made in Italy by

TECUMSEH EUROPA S.p.A.

GEOTEC - 7

3	Division
	Section
B	

GEOTEC Models

Issued: 08/98

Revised: 08/99



Ref.No.	Part No.	Part name & Spec. Nos.
83	29190219	Screw 1/4-20 (L=22mm)
84	29190208	Screw 10-32 (L=16mm)
85	16290027	Air Filter Assy. (Inc.-86,87,88,89,90,91)
86	23430089	Air Filter Cover
87	23410061	Air Cleaner Filter (Paper)
88	23420069	Air Filter Body
89	23410062	Air Cleaner Filter
90	29190242	Screw M5 (L=36 mm)
91	29220007	Nut M5
92	29490004	Conduit Clip
93	29190174	Screw 10-32 (L=6mm) E-25000 ,001,002,003 E-28000 ,001,002,003,007
94	29190091	Screw 10-32 (L=13mm)
95	29630086 *	Air Filter Gasket
98	17410105	Remote Speed Control (Inc.-64) E-25000 ,001,002,003 E-28000 ,001,002,003,007
96	17410109	Manual Speed Control (Inc.-64) E-27004 ,005 E-28008
97	29190177	Screw M5 (L=10mm)
98	24320247	Blower Housing
99	29190038	Screw 1/4-20 (L=12mm)
101	16210038	Fuel Tank (Inc.-102)
102	13350003	Fuel Filler Cap
103	29190091	Screw 10-32 (L=13mm)
104	29490031	Fuel Line Clamp
105	16270001	Fuel Line (Available only in 5m coils)
106	29510050	Belleville Washer
107	29210020	Nut 1/2-20
110	24220015	Starter Cup
112	29190180	Screw 8-32 (L=8mm)
113	14210076	Rewind Starter (Inc.-114)
114	24230004	Starter Handle
115	27410145	Fuel Tank Bracket (Upper)
117	24330139	Protection Bracket
118	29190310	Screw 1/4-20 (L=10mm)
119	29190186	Screw 10-24 (L=14mm)
129	29190038	Screw 1/4-20 (L=12mm)
130	24330140	Protection Bracket
131	29320041	Oil Filler Plug
132	29630096 *	Oil Filler Gasket
135	29320040	Oil Dipstick
136	29630094 *	Oil Dipstick Gasket E-25000 ,001,002,003 E-27004 ,005 E-28000 ,001,007,008
140	23088010	Carburettor E-28000 ,001,002,003,007,008
140	23088011	Carburettor E-25000 ,001,002,003
140	23088013	Carburettor E-27004 ,005
142	29410009	Flywheel Key
150	16630039	Repair Kit E-28002

Note: Always check Master Price List for replacement part numbers.

Tecumseh products made in Italy by

TECUMSEH EUROPA S.p.A.


GEOTEC Models

 Issued: 08/98
 Revised: 08/99

Division	3
Section	B

Ref.No.	Part No.	Part name & Spec. Nos.
150	24110032	Flywheel (Heavy) E-25000 ,001,002,003 E-27004 ,005 E-28000 ,001,003,007
150	24110045	Flywheel (Heavy) E-28008
151	29490055	Flywheel Key Spacer
152	14160034	Solid State (Coil & Lamination)(Inc.-50) E-25000 ,001,002,003 E-28000 ,001,002,003,007
152	14160072	Solid State (Coil & Lamination)(Inc.-50) E-27004 ,005 E-28008
153	29190166	Screw 10-24 (L=24mm)
165	16610030	Gasket Set
214	24330133	Muffler Guard
215	29190221	Self-threading Screw
216	29190186	Screw 10-24 (L=14mm)
232	29190186	Screw 10-24 (L=14mm)
233	29510094	Washer E-28002 ,003

Note: Always check Master Price List for replacement part numbers.

Tecumseh products made in Italy by
TECUMSEH EUROPA S.p.A.