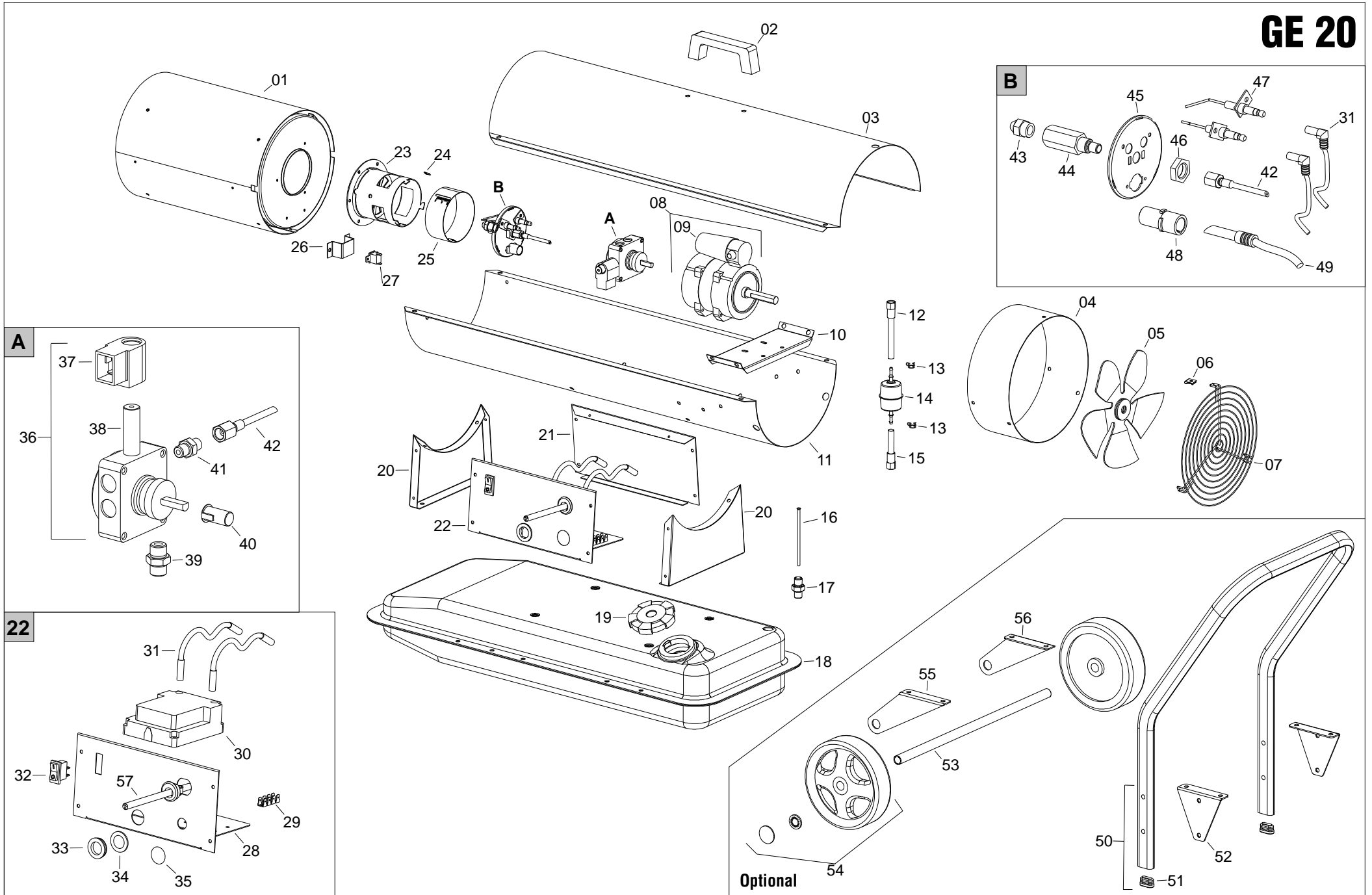


# GE 20



Da matr. N. - De matr. No. - Von Masch. Nr. - From number:

GE 20

28400001

Pos.	Cod.	LEGENDA	LEGENDE	NOMENKLATUR	PART LIST
01	G06251	Camera di combustione	Chambre de combustion	Brennkammer	Combustion chamber
02	C10202	Maniglia PL nera	Poignée	Handgriff	Handle
03	G06252-3001	Scocca superiore	Carrosserie sup.	Haube	Upper body
04	G06253-3001	Anello protezione ventilatore	Anneau protection ventilateur	Ring Schutzeinrichtung Ventilator	Fan protection ring
05	T10251	Ventola Ø 200 31°	Ventilateur Ø 200 31°	Ventilator Ø 200 31°	Fan Ø 200 31°
06	M20412	Piastrina doppia U42-182	Plaque elastique U42-182	Klemmutter U42-182	Elastic Plate U42-182
07	P30160	Griglia aspirazione	Grille protection	Schutzgitter	Inlet grille
08	E10690	Motore 75W c/condens.	Moteur 75W avec condensateur	Motor 75W mit Kondensator	Motor 75W with condenser
09	E11243	Condensatore 4 µF	Condensateur 4 µF	Kondensator 4 µF	Condenser 4 µF
10	G06254	Supporto motore ventola	Bride support moteur	Motor Flansch	Motor flange
11	G06255-3001	Scocca inferiore	Carrosserie Inf.	Karosserie Unterteil	Lower body
12	I40327	Tubo BP 1/4" F L.180mm	Tube BP 1/4" F L.180mm	Rohr BP 1/4" F L.180mm	Tube BP 1/4" F L.180mm
13	C30729	Fascetta per tubo	Collier	Schelle	Clamp
14	I30414	Filtro gasolio compl.	Filtre avec cartouche	Filter komp.	Filter with cartridge
15	I40326	Tubo BP 1/4" F L.85mm	Tube BP 1/4" F L.85mm	Rohr BP 1/4" F L.85mm	Tube BP 1/4" F L.85mm
16	I30700	Pescante L.120mm	Pascante L.120mm	Pascante L.120mm	Pascante L.120mm
17	I30737	Niplo OT 1/4" M - M12x1,75 M	Niplo OT 1/4" M - M12x1,75 M	Niplo OT 1/4" M - M12x1,75 M	Niplo OT 1/4" M - M12x1,75 M
18	G06256-9005	Serbatoio gasolio	Réservoir fuel	Tank	Fuel tank
19	C30356	Tappo bocchettone	Bouchon	Pfropfen	Drain plug
20	G06257-3001	Pannello	Panneau	Beplankung	Panel
21	G06258-3001	Pannello laterale	Panneau lateral	Seiten Beplankung	Side panel
22	G00256-3001	Quadro elettrico	Coffret électrique	Elektrokasten	El. componets drawer
23	G06259	Boccaglio	Gueulard	Brennrohr	Blast tube
24	E20671	Morsettiera terra	Barrette de connection	Klemmreiche	Terminal board
25	G06260	Anello regolazione aria	Volet réglage air	Brennluftklappe	Air regulatoin flap
26	G06221	Staffa fissaggio capsula	Box fixing bracket	Kapselbugelbefestigung	Bride de fixation
27	E50109	Capsula termostatica Limit	Thermostat bilame Limit	Thermostat Limit	Limit Thermostat
28	G06261-3001	Supporto quadro elettrico	Support coffret électrique	Steuergeräthalerung	Electr. componets drawer
29	E20319	Morsettiera terra	Barrette de connection	Klemmreiche	Terminal board
30	E40123	Apparecchiatura BERTELLI OBI.0320	Coffret BERTELLI OBI.0320	Steuergerät BERTELLI OBI.0320	Control box BERTELLI OBI.0320
31	G02077	Cavo A.T. L.500m	Conn. câble L.500m H.T.	H.S. Anschluß L.500m	H.T. Cable connect. L.500m
32	E10119	Interruttore bipolare 0 - 1	Interrupteur 0 - 1	Schalter 0 - 1	Switch 0 - 1
33	E20418	Protezione pulsante blocco	Protection bouton d'arrêt	Blockierschalterschutz	Stop button protection
34	M20129	Rondella Ø23 x Ø29,5 x 2	Rondelle Ø23 x Ø29,5 x 2	Abstandsring Ø23 x Ø29,5 x 2	Washer Ø23 x Ø29,5 x 2
35	C30319	Tappo copritesta Ø25	Bouchon Ø25	Gummifuss Ø25	Plug Ø25
36	T20433	Pompa Danfoss BFP01	Pompe Danfoss BFP01	Pumpe Danfoss BFP01	Pump Danfoss BFP01
37	T20114	Bobina E.V. BFP01 Danfoss	Bobine E.V. BFP01 Danfoss	Spule BFP01 Danfoss	Solenoid spool BFP01 Danfoss
38	T20117	Corpo E.V. Danfoss	Electrovanne Danfoss	Magnetventil Danfoss	Solenoid valve Danfoss
39	I20104	Niplo FE 1/4" MM	Niplo FE 1/4" MM	Niplo FE 1/4" MM	Niplo FE 1/4" MM
40	E10698	Giunto Pl. mot.-pompa K1	Accouplement Pl. K1	PlastikKupplung K1	Coupling K1
41	I20115	Niplo FE 1/8" MM	Niplo FE 1/8" MM	Niplo FE 1/8" MM	Niplo FE 1/8" MM
42	I40192	Microtubo	Microtube	Microschlauch	Micropipe
43	T20338	Ugello 0,40 GPH 80°S	Gicleur 0,40 GPH 80°S	Düse 0,40 GPH 80°S	Nozzle 0,40 GPH 80°S
44	I33007	Canotto portaugello	Support gicleur	Düsehalter	Nozzle support
45	G06267	Flangia supp. Bruciatore Ø 80mm	Bride Brûleur Ø 80mm	Brenner Flansch Ø 80mm	Burner flange Ø 80mm
46	I31034	Controdado OT. M14	Ecrou M14	Mutter M14	Nut M14
47	E10248	Elettrodo c/piastrina	Électrode	Elektrode	Electrode
48	E50327	Protezione fotoresistenza	Photoresistance protection	Photozellenschutz	Protection de la photoresistance
49	E50326	Fotoresistenza BERTELLI 17843	Photoresis. BERTELLI 17843	Fotozelle BERTELLI 17843	Ld ph. Unit BERTELLI 17843
50	P20184-9005	Maniglia/Piede	Poignée/Support	Handgriff/Stütze	Handle/Support
51	C30361	Tappo copritesta	Bouchon	Gummifuss	Plug
52	G06263-9005	Staffa per maniglia	Support pur poignée	Bügel auf der elektrische Achse	Handle for support
53	P20185-9005	Assale	Essieu	Achse	Wheel axle
54	C10529	Ruota Ø 150 - Ø 15	Roue Ø 150 - Ø 15	Rad Ø 150 - Ø 15	Wheel Ø 150 - Ø 15
55	G06264-9005	Staffa per assale ruote SX	Support pur essieu roues gauche	Bügel auf der elektrische Achse	Left wheels for axle support
56	G06265-9005	Staffa per assale ruote DX	Support pur essieu roues droite	Bügel auf der elektrische Achse	Right wheels for axle support
57	E30448	Cavo elettrico c/spina e morsettiera	Câble avec fiche et presse câble	Kabel mit steckdose und kabel Führung	El. wire with plug and cable fastener