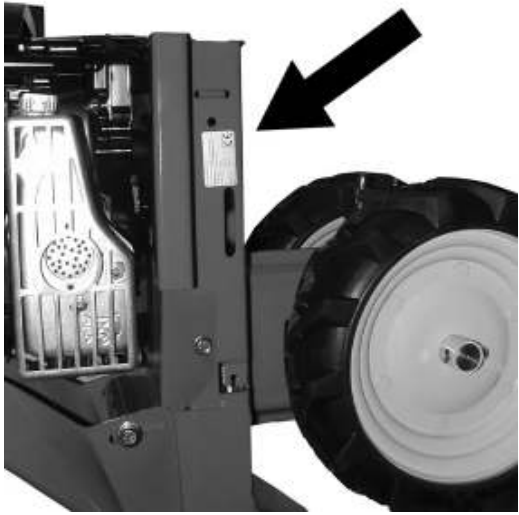




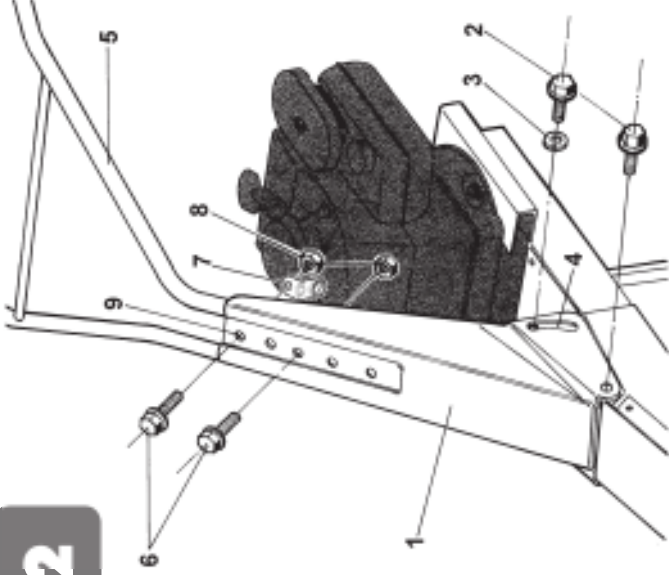
**MOTOFALCIATRICE
SCYTHE MOWER
MOTOFAUCHEUSE
BALKENMÄHER
MOTOSEGADORA
GADANHEIRA
MOTORMAAIER
MOTORNA KOSILICA**

Istruzioni d'uso
Operating instructions
Mode d'emploi
Bedienungsanweisung
Manual de instrucciones
Instruções de uso
Gebruiksaanwijzing
Upute za rad

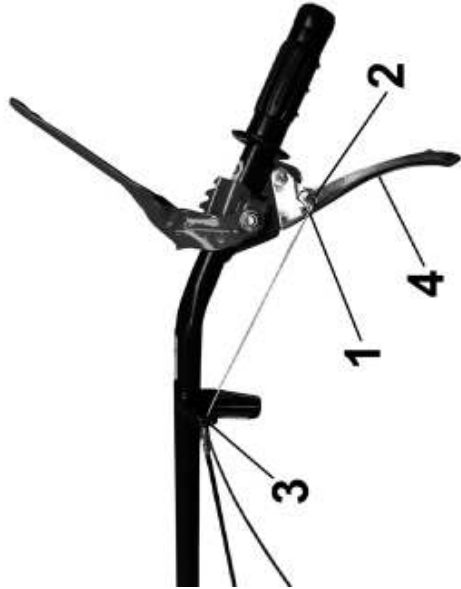
1



2

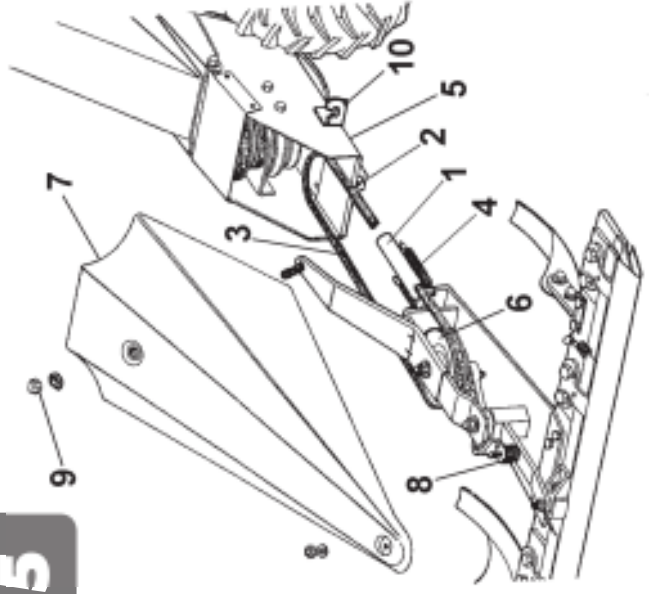


4



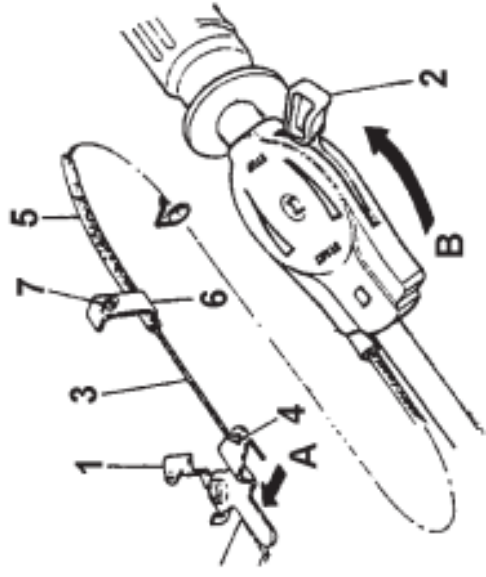
A

5



B

3

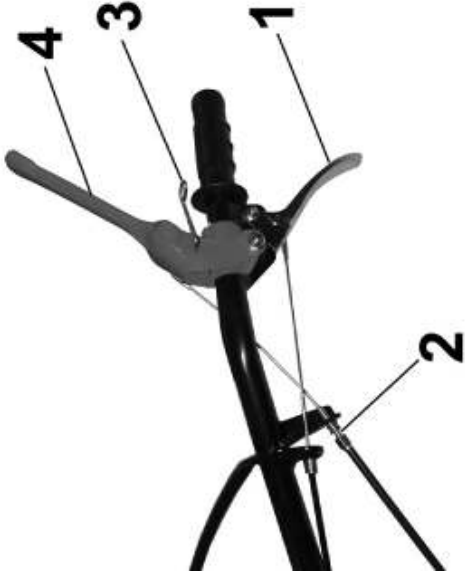


A

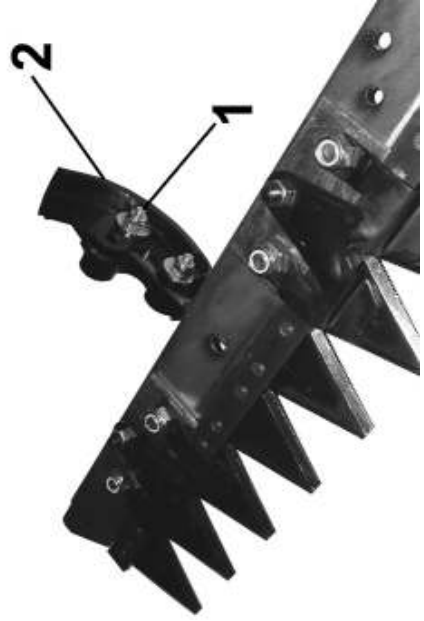
6



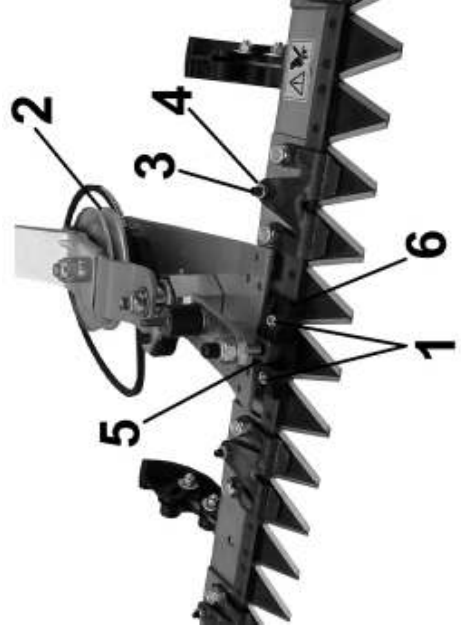
7



9



10



8



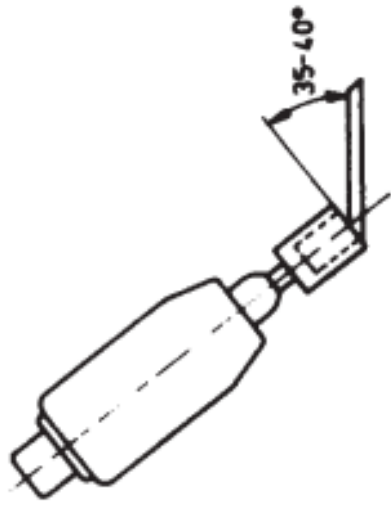
11



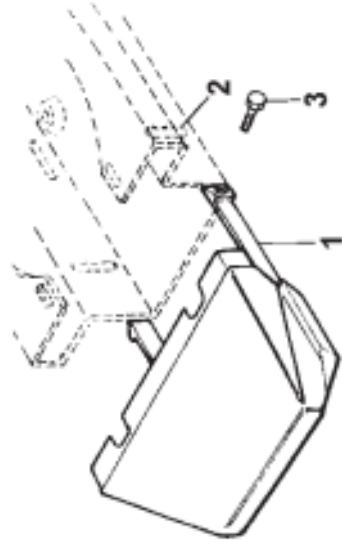
12



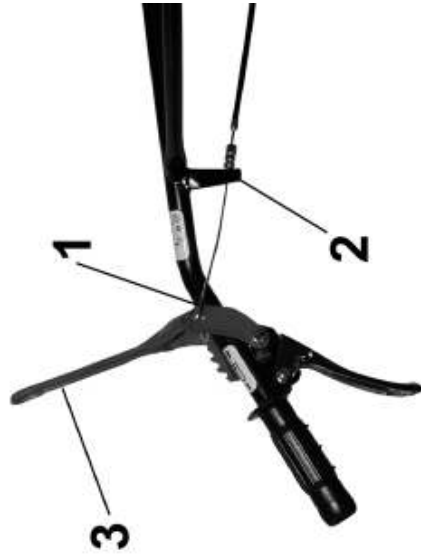
13



15



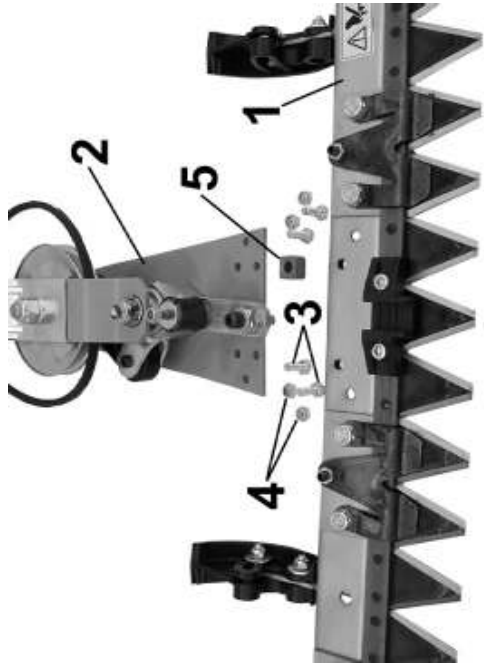
16



14



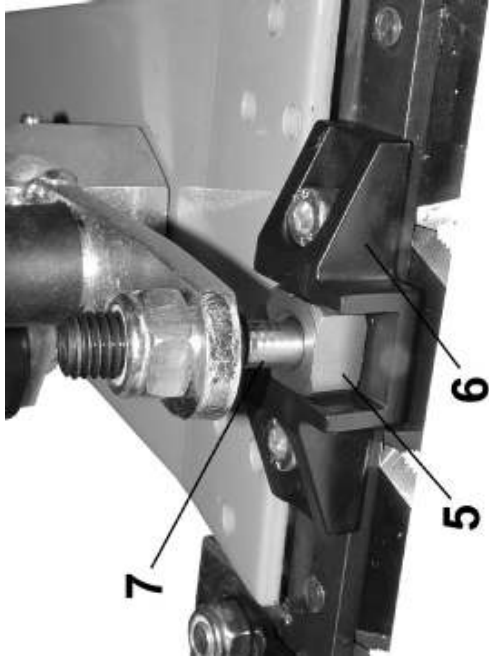
17



Leggere il manuale prima di usare la macchina
 Read the instructions manual before operating on the machine
 Lesen Sie die Gebrauchsanweisung vor der Inbetriebnahme
 Lire le mode d'emploi avant l'usage
 Antes de proceder a montar la máquina lea atentamente estas instrucciones
 Ler o manual das instruções antes do uso
 Handleiding doorlezen voor de machine te gebruiken
 Pročitajte priručnik za rad prije početka rada sa strojem



18



<p>1 Costruttore Constructeur Manufacturer Baufirma Constructor Constructor Fabrikant Proizvođač</p>	<p>2 Modello Modèle Type Modell</p>	<p>3 Anno di costruzione Année de construction Year of construction Baujahr Año de construcción Ano de construção Bouwjaar Godina proizvodnje</p>
--	---	---

<p>4 Numero di serie articolo – Progressivo Numéro de série article - Progressif Serial number - Progressive Seriennummer - Progressiv Número de serie artículo – Progressivo Numero de série artigo - Progressivo Seriennummer artikel - Progressief Serijski broj – Progressivno</p>	<p>5 Masa Masse Mass Gewicht Težina</p>	<p>6 Potenza in Kw Puissance en Kw. Power in kW Leistung in Kw Potencia en Kw Potência Vermogen in Kw Snaga u kW</p>
--	--	--

<p>1 COSTRUTTORE</p>	<p>2 MODELLO: _____ ANNO PROD: _____ NR: _____ MASSA CB: _____ KW: _____</p>	<p>3 CE</p>
-----------------------------	---	--------------------

Introduction

Dear Customer:

Thank you for your confidence in purchasing our products. We wish you to enjoy using our machines. The following working instructions have been issued to ensure you a reliable running from the beginning. If you carefully follow such information the machine will operate with complete satisfaction have a long service life.

Our machines are tested under the most severe conditions before being put into production and are subjected to strict continuous tests during manufacturing stages. The present unit has been tested in the country of origin by independent testing authorities in accordance with strict work norms and safety standards.

When required, only original spare parts must be used to maintain guaranteed function and safety levels.

The operator forfeits any claims which may arise, if the machine shows to be fitted with components other than original spare parts. Subject to changes in design and construction without notice.

For any questions or further information and spare part orders, we need to be informed of the unit serial number printed on the side of the machine.

■ IDENTIFICATION DATA (Fig. 1)

The tag plate with the machine data and Serial N° is on the left side of the scythe mower under the engine. Note - Always state your motor cultivator serial number when you need Technical Service or Spare Parts.

■ CONDITIONS OF USE AND LIMITATIONS OF USE

This motor mower is designed and built to mow grass on fodder cropped land. The motor mower must only be used with original equipment and spares. Any use other than that described above is prohibited and will involve, in addition to cancellation of the warranty, serious risk for the operator and bystanders.

■ SAFETY PRECAUTIONS

Attention: Before assembly and putting into operation, please read the operating instruction carefully. Persons not familiar with these instructions should not use the machine.

1 Always make a visual inspection of the mower before using it. The mower must be in a safe operating condition. Damaged or worn parts must be replaced immediately.

2 Persons who are not familiar with the operating manual, as well as children, adolescents under the age of 16 and persons under the influence of alcohol, drugs or medication must not operate the mower.

3 The unit was designed in order to be used by 1 operator only. The person using the mower is responsible for any accidents involving other persons or their properties. When operating the machine, the user should ensure that no others, particularly children, are standing in the area.

4 Carefully check the whole area to be mown. Remove all foreign objects, such as stones, sticks, wires, bones, etc. Use the mower only in daylight or if the working area is well illuminated.

5 Do not start the engine if anyone is standing in front of the cutter bar – the cutter and wheel drives must not be engaged.



Serious risk for operator and bystander safety.

List of contents

Introduction

Conditions of use

Safety measures

Transport

Assembly

Regulating

Maintenance

Technical Details

Noise

Accessories

Fault

- 6 Always mow across a slope. Never mow up or down a slope or on slopes with an inclination higher than 10°.
- 7 During operations you need to use ear protectors, sturdy footwear and long trousers should be worn. Be very careful, when working, the blade is potentially hazardous for hands and feet. Always walk and never run while operating the machine.
- 8 During the machine transport and all the maintenance, cleaning, equipment change operations, the engine must be switched off. The blade guard must be mounted on the cutter bar if the mower is transported or lifted. Before leaving the machine, please switch the engine off.
- 9 Do not start the machine in closed rooms/areas to avoid dangerous carbon monoxide fumes.
- 10 **WARNING !!** The petrol/gasoline is highly inflammable. Every operation (fill-in or emptying of the fuel tank) must be done in open air and keeping the engine switched off, don't smoke and be careful of the petrol/gasoline leakages from the tank. In case of leak, don't try to switch the engine on but move the machine away from the area in order to avoid ignition source until the gasoline vapours fade away. Re-place the tank caps and the gasoline can.
- 11 Keep attention to the exhaust pipe. The parts near the pipe can reach 80°C. Keep the exhaust and engine free of leaves, grass and spilt oil.
- 12 The cutter drive must be disengaged when the mower is not on grassland.
- 13 If the machine is incorrectly used, and/or the repairs are performed by non-authorized technical staff, and/or non original equipments are fitted, and/or non original parts are used the warranty will decline and the manufacturer will not be liable for any damages to persons or properties.

■ **TRANSPORT** A forklift truck should be used to move the machine. The forks should be opened as far as possible and inserted into the pallet. The weight of the machine is given on the Manufacturer's data plate together with the other technical information.

■ **HOW TO ASSEMBLE YOUR SCYTHE-MOWER** Unless otherwise agreed, the scythe-mower is delivered disassembled and placed in a packing case. For assembly to be completed, the step/by/step procedure is as follows:

■ **ASSEMBLY HANDLEBARS SUPPORT & HANDLEBARS (Fig. 2)** the support (1) already placed on the motormower frame. You need to tighten the 4 flanged screws all the way (2) the washers (3) in correspondance to the slots (4) . the handlebar (5) has to be fixed to the support (1) with the flanged screws (6) , the fairlead (7) and the tightening nuts (8). It is possible to adjust the handlebar height acting on screws (6) which are fixing the handlebar and move them into the corresponding adjustments slots. (9).

■ **FRAME COVER ASSEMBLY (Fig. 15)** Assembly the front cover putting the side clamping wings (1) into the frame slots (2). Fix the cover using the self-threading screw (3) : you can find it in the accessories envelope.

■ **ASSEMBLY OF THE THROTTLE CABLE (Fig. 3)** Put the lever all the way through (1). Such lever is placed on the engine as shown by arrow "A" in the figure. Bring the throttle cable handle all the way (2) which is placed on the handlebar as shown by arrow "B" in the figure. Insert the cable (3) into the hole (4), fix the covering (5) using the corresponding staple (6) and fix the screw (7). Attention ! the throttle handle on "stop" position should switch the engine off.

■ **ASSEMBLY OF THE DRIVING CABLE FORWARD SPEED : (Fig. 4A)** you can find the driving wire already assembled to the belt-stretcher spring to the frame and link it to the lever (4) in the following way : make the cable to pass into the fairlead (fig. 2 part. 7) and the terminal part (1) into the lever hole (2) . First , give a slight pull to the covering , then make the cable to pass into the the nib cut-hole. (3).

■ **ASSEMBLY OF THE DRIVING CABLE REVERSE SPEED** : (Fig. 4B) The driving cable showing label R has to be fixed to the reverse lever (6) in the following way : put the terminal (1) into the hole (2) of the lever. First perform a slight pull to the covering , make the cable to pass into the cut hole of the nib (3) making the register (4) and the two nuts (5) as shown in the picture. Tighten the cable to wire using the clamp you can find into the accessories envelope.

■ **ASSEMBLY OF THE CABLE FOR BAR CONNECTION** (Fig. 16) : the cable adjustment is already linked to the black lever to be used to connect the accessories placed under the frame You need to make the cable to pass into the nib placed on the side of the frame (fig. 5 part.10). Bring it to the handlebar and make the terminal (1) to pass first into the nib hole (2) then into the red lever's one (for accessories connection) as shown in the picture. N.B. = we suggest you to perform such assembly before fixing the scything-set device to the motormower.

■ **ASSEMBLY OF THE SCYTHING SET DEVICE** (Fig. 5) : the motormower is equipped with a joint which allow the easy/quick connection of the scything set device and all the other accessories (such as brush , grassland mower, snow-blade , etc..). The engine has to be switched off and the unit put in horizontal position : grease the bar pin (1) and insert it all the way into its seat. (2) .

Assemble the belt (3) first on the unit pulley (the smaller pulley for the bar, the bigger one for the accessories), then on the scything bar set one (6). Clamp the springs (4) , (please find them in the accessories envelope) into the corresponding hooks (5).

Make sure the belt (3) is correctly placed on the bar driving pulley.

Assemble the grass separating cover (7) and fix it on the front antivibrating (8) then on the welded screw. Put the washer and screw it with the nut (9).

■ **SCYTHING BLADE ASSEMBLY** (Fig. 17 and 18) : **ATTENTION!** For protection/safety purposes , please always wear a pair of hardy gauntlets. NB = to make the assembly of the scything blade device to the unit easier we recommend you to perform the work on a work bench.

Fig. 17 and 18 : in the accessories envelope you can find a spacer-lock (5) which has to be positioned on the bar driving plate (6). Bring the blade in the correct position and put the pin (7) into the spacer-lock (5). (Fig. 17) The scything blade (1) has to be screwed to the bar support (2) using 4 screws M8 x 20 (3) and 4 nuts (4) you can find the parts in the accessories envelope.

■ **STARTING UP** (Fig. 6) **ATTENTION !** : the motormower is delivered equipped with a 4 stroke engine : oil is not included.

The tank has a capacity for about 0,500 kg. And has to be filled in up to the shown level. **ANYHOW , PLEASE ALWAYS READ VERY CAREFULLY THE ENCLOSED INSTRUCTION REFERRING TO ENGINE.**

Put the throttle handle (3) on start position , then switch the engine on. Adjust the handle in order to get to the needed engine revolutions.

To proceed with **SCYTHING** operations, lower the red lever for accessories connection (4) and insert the right-hand driving lever (2) **REVERSE** it is necessary to release the forward speed lever (1) . In case you have to face an unforeseen and accidental obstacle , you should immediately leave the 2 driving levers (1-4) or the reverse lever (2). When you finished your work , please switch the engine off , and put the throttle handle (3) on stop position.

■ **ADJUSTING AND CONNECTION FOR THE SCYTHING BAR:** (Fig. 7) to increase the belt tension between the unit and the accessories , you should act on the adjusters (2) to make the bar to start scything only when the lever (4) has crossed half its way. **ATTENTION !** before lowering the accessories insert lever (4) , you should always unhook the safety lever (3).

■ **BELT-STRETCHER CONTROLADJUSTMENT** (Fig. 8) : attention ! the motormower wheels should start to turn when the driving lever (fig. 7 part. 1) has crossed half its way. When the mentioned lever is completely pulled, i.e. on working position , the load-belt of the belt-stretcher (fig.

8 part. 2) should extend for 6-8 mm. To perform so you should act on the adjuster (1).

■ **ADJUSTMENT OF THE SCYTHING BAR HEIGHT (Fig. 9)** if you need to scythe on uneven grounds it is necessary to adjust the scything bar height. Please follow the instructions : Loosen the nut (1) , bring the plastic strip (2) to the needed position and tighten the nut. Please perform the operation on both the plastic strips.

■ **ADJUSTMENT AND REPLACEMENT FOR THE SCYTHING BLADE (Fig. 10)** After about 10 hours work, you could probably face the possibility to adjust the scything blade . In case you need to unscrew the lock-nut (4) and adjust the set-screws (3) to eliminate the over-clearance between upper / lower teeth.

IMPORTANT ! for the various adjustments checks you should first disassemble the cover by hand then slowly rotate the pulley (2) by hand and verify that the blades can freely turn. Unscrew the screws (1) and take the driving bar plate out (2) . Loosen the plastic-strip (3) , the set-screw (4) and take the blade out. In case of too much wear , it is necessary to change the plate as well (2) and the spacer-lock (5). To re-assemble the blade , please perform the operations in the reverse order. **NOTE** : to obtain a good cut performance , the blade should always be sharpened.

■ SERVICE / GARAGING.

GEARBOX (Fig. 11) : lubricating. Use SAE 80 . Please verify the oil level before switch the engine on. The oil level can be verified unscrewing the cap placed on the side of the gearbox.

TRANSMISSION SCYTHING BAR (Fig. 12) : there are 2 greasing point (1-2) . Important : after every use of the motormower , please clean and grease the scything bar and all motion parts/mechanisms..

ENGINE SERVICING (please read the specific part). The motormower is delivered equipped with a 4 stroke engine , **NO OIL** is included. Please fill the tank in up to the shown level (capacity about 0,500 kg.) . Referring to the oil/viscosity type, please follow the engine producer instructions.

ATTENTION! *The used oil must not be drained into the sewer system or waterworks. In order to prevent any pollution to the water-table. Most garages have used oil deposits, or use the authorized deposits according to your local authority regulations.*

SCYTHING BAR SERVICING : the motormower is undoubtedly one of the most used agricultural equipment and need a good and frequent servicing. We recommend you to clean very deeply after every use. If the machine is not used for long periods it is **ESSENTIAL** to protect the blade and the bar using some anticorrosive and antioxidant materials. We recommend you to clean the machine very deeply after every use. Keep attention that all the nuts , screws and bolts are tightened in order to guarantee a good machine working on safety conditions. Leave the machine to cool before garaging anyhow don't room it if the tank contains still contains some fuel as the vapours could reach some blazes or sparks. To lower the fire danger , keep the engine , the silencer and the fuel area free from leaves, grass or greasy substances.

The presence of impurities or foreign bodies on the meadow, damages the teeth sharpening of the scything bar. It is useful to sharpen the blade and check the teeth integrity every 4-6 hours use. Only if you keep a good sharpening teeth level you can obtain the best grass cut.

You are kindly requested to periodically verify from the inflation pressure level for the tires : the recommended value is 21 PSI (1,5 Bar) . However be careful not to exceed the maximum value indicated on the tire itself.

■ **BLADE SHARPENING (Fig. 13)** : according to the frequency and the type of use , the cutting sections have to be sharpened about every 10 hours working. To obtain a perfect sharpening you need to use an electric sharpening machine (15.000/20.000 turns/minute) , grinding-headed with a diameter 25 mm and length 35 mm. The blade has to be sharpened from the internal part of the rod to tip-end section using the head grinding. The blade sections have to be sharpened in a 25° deg. angle.

■ **DESCRIPTION :** (Fig. 14) 1) throttle control handle (2) transmission control for driving wheels lever (3) bar connection driving lever (4) engine (5) scything bar (6) driving lever for reverse .

■ **TECHNICAL DATA :** Gauge : 340 mm . - bar width : 870 mm - total motormower lenght : 14000 mm - total motormower height : 950 mm . Pneus : 2 tyres 13x5.00-6 - mass kgs. 65 . For further technical data and details on engine , please see the enclosed instructions manuals .

■ **NOISE AND VIBRATION LEVEL :** Measured sound pressure level with En12733, Leq = 84,5 dB (A), with a uncertainty value K = ±1,1 dB (A). Measured sound power level with En12733, Lwa = 98,1 dB (A), with a uncertainty value K = ±0,7 dB (A). Handlebar vibration in compliance with EN 12733 and ISO 5349. Level max detected = 13,54 m/s², uncertainty value K = ±5,42 m/s².

■ **ACCESSORIES** The machine can be transformed with the application of 4 very useful accessories : adjustable front brush cm. 105, front rotavator with fixed cover cm. 50 , grassland mower cm. 53 and front snow-blade cm. 85 . The brush can be used for the cleaning of the external yards. The rotavator can be used for the scraping and cleaning of the ground from the weed. The grassland mower can be used for the recurring scythe of the meadows. The blade can be used to shovel the snow away. The brush, the rotavator and the grassland mower are to be fixed in place of the scything bar, inserting the pin into the seat of the accessories attachment and the belt on the bigger pulley. The snow blade can be fixed with the pin into the seat of the accessories attachment then it has to be tightened with a “R” pin.

■ **FAULT**  **Before performing any maintenance and clearing work operation , please take the spark-plug cap off.!**

FAULT	FAULT CLEARANCE
The engine does not start	check the fuel level, if necessary refuel. check the throttle to be on START position check the spark-plug connector to be properly attached check the spark-plug condition and if necessary replace it check the fuel valve to be in the opened position (only for the models showing such feature)
The engine power goes down	the air filter is dirty – please clean it
The grass cut is irregular	sharpen or replace the cutting blade adjust the cutting bar clearance
The cutting bar does not work or the wheels are not turning	adjust the cutting bar cable check the wheels to be fasten to the shaft
In case you are not able to remedy the defect/damage according to a.m. table, please contact an authorized service center only .	check the position and the transmission belts position and condition : realign position and/or replace them.