

INTRODUCTION

Thank you for purchasing a Honda engine. We want to help you to get the best results from your new engine and to operate it safely. This manual contains information on how to do that; please read it carefully before operating the engine. If a problem should arise, or if you have any questions about your engine, consult an authorized Honda servicing dealer.


All information in this publication is based on the latest product information available at the time of printing. American Honda Motor Co., Inc. reserves the right to make changes at any time without notice and without incurring any obligation. No part of this publication may be reproduced without written permission.

This manual should be considered a permanent part of the engine and should remain with the engine if resold.




Review the instructions provided with the equipment powered by this engine for any additional information regarding engine startup, shutdown, operation, adjustments or any special maintenance instructions.

SAFETY MESSAGES

Your safety and the safety of others is very important. We have provided important safety messages in this manual and on the engine. Please read these messages carefully.

A safety message alerts you to potential hazards that could hurt you or others. Each safety message is preceded by a safety alert symbol  and one of three words, DANGER, WARNING, or CAUTION.

These signal words mean:

 DANGER	You WILL be KILLED or SERIOUSLY HURT if you don't follow instructions.
 WARNING	You CAN be KILLED or SERIOUSLY HURT if you don't follow instructions.
 CAUTION	You CAN be HURT if you don't follow instructions.

Each message tells you what the hazard is, what can happen, and what you can do to avoid or reduce injury.

DAMAGE PREVENTION MESSAGES

You will also see other important messages that are preceded by the word NOTICE.

This word means:

NOTICE	Your engine or other property can be damaged if you don't follow instructions.
---------------	--

The purpose of these messages is to help prevent damage to your engine, other property, or the environment.

SAFETY INFORMATION

- Understand the operation of all controls and learn how to stop the engine quickly in case of emergency. Make sure the operator receives adequate instruction before operating the equipment.
- Your engine's exhaust contains poisonous carbon monoxide. Do not run the engine without adequate ventilation, and never run the engine indoors.
- The engine and exhaust become very hot during operation. Keep the engine at least 1 meter (3 feet) away from buildings and other equipment during operation. Keep flammable materials away, and do not place anything on the engine while it is running.

© 2003–2009 American Honda Motor Co., Inc. —All Rights Reserved

31Z8A022
00X31-Z8A-0220



POM31Z8A022
IPC. 75000.2009.03
PRINTED IN U.S.A.

HONDA

OWNER'S MANUAL MANUEL DE L'UTILISATEUR MANUAL DEL PROPIETARIO GC160 • GC190



WARNING:

The engine exhaust from this product contains chemicals known to the State of California to cause cancer, birth defects, or other reproductive harm.

CONTENTS

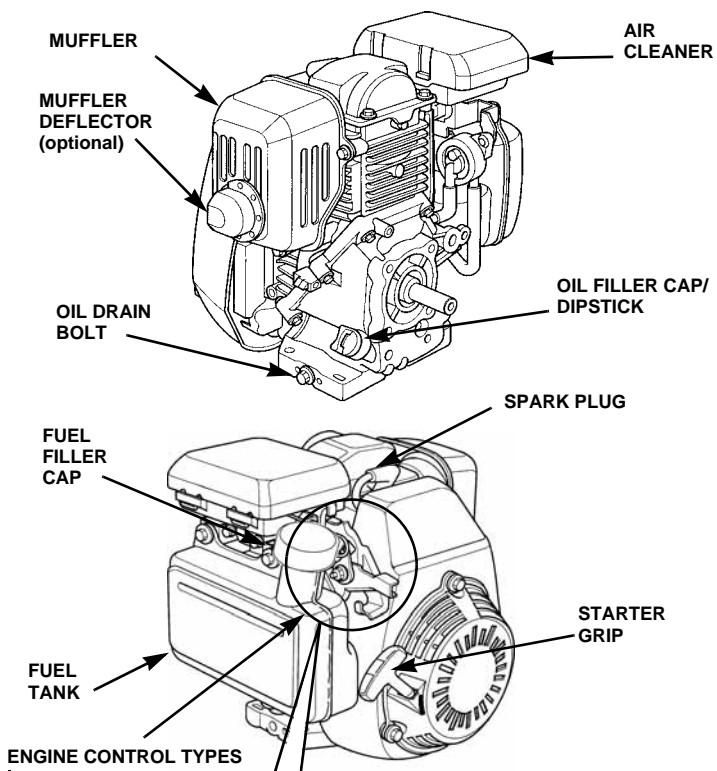
INTRODUCTION	1	AIR CLEANER	6
SAFETY MESSAGES	1	SPARK PLUG	6
COMPONENT & CONTROL LOCATION	2	SPARK ARRESTER (OPTIONAL EQUIPMENT)	7
BEFORE OPERATION CHECKS	2	STORING YOUR ENGINE	7
IS YOUR ENGINE READY TO GO?	2	TRANSPORTING	8
OPERATION	2	TAKING CARE OF UNEXPECTED PROBLEMS	8
SAFE OPERATING PRECAUTIONS	2	TECHNICAL INFORMATION	9
TYPE 1: MANUAL THROTTLE / MANUAL CHOKE	3	SERIAL NUMBER LOCATION	9
TYPE 2: FIXED THROTTLE / IGNITION SWITCH LEVER / MANUAL CHOKE	3	CARBURETOR MODIFICATIONS FOR HIGH ALTITUDE OPERATION	9
TYPE 3: FIXED THROTTLE / ENGINE STOP SWITCH / MANUAL CHOKE	4	EMISSION CONTROL SYSTEM INFORMATION	9
OIL ALERT® SYSTEM	4	SPECIFICATIONS	10
SERVICING YOUR ENGINE	4	CONSUMER INFORMATION	11
THE IMPORTANCE OF MAINTENANCE	4	DISTRIBUTOR/DEALER LOCATOR INFORMATION	11
MAINTENANCE SAFETY	4	Honda PUBLICATIONS	11
MAINTENANCE SCHEDULE	5	CUSTOMER SERVICE INFORMATION	11
REFUELING	5	DISTRIBUTOR'S LIMITED WARRANTIES	11
ENGINE OIL	6	EMISSION CONTROL SYSTEM WARRANTY	13
		INTERNATIONAL WARRANTY	LAST PAGE

ENGLISH

FRANÇAIS

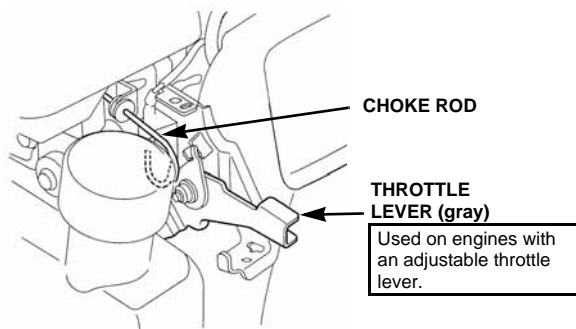
ESPAÑOL

COMPONENT & CONTROL LOCATION

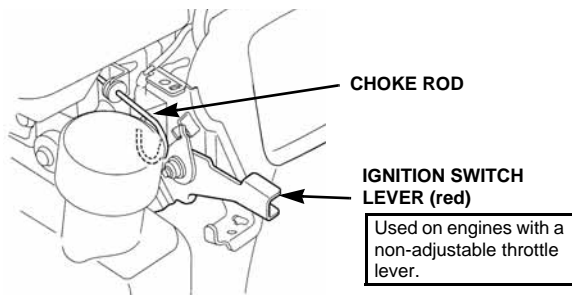


ENGINE CONTROL TYPES

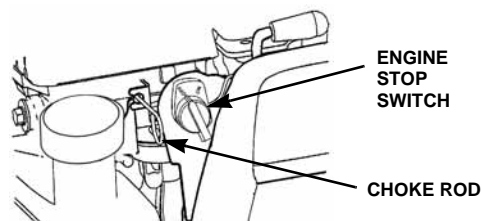
TYPE 1: MANUAL THROTTLE / MANUAL CHOKE



TYPE 2: FIXED THROTTLE / IGNITION SWITCH LEVER / MANUAL CHOKE



TYPE 3: FIXED THROTTLE / ENGINE STOP SWITCH / MANUAL CHOKE



BEFORE OPERATION CHECKS

IS YOUR ENGINE READY TO GO?

For your safety, and to maximize the service life of your equipment, it is very important to take a few moments before you operate the engine to check its condition. Be sure to take care of any problem you find, or have your servicing dealer correct it, before you operate the engine.

⚠ WARNING

Improperly maintaining this engine, or failure to correct a problem before operation, can cause a malfunction in which you can be seriously hurt or killed.

Always perform a preoperation inspection before each operation, and correct any problem.

Before beginning your preoperation checks, be sure the engine is level and the throttle lever (ignition switch lever or engine stop switch) is in the STOP position.

Always check the following items before you start the engine:

1. Fuel level and oil level

The Oil Alert[®] system (applicable engine types) will automatically stop the engine before the oil level falls below safe limits. However, to avoid the inconvenience of an unexpected shutdown, always check the engine oil level before startup.

2. Air cleaner (see page 6).
3. General inspection: Check for fluid leaks and loose or damaged parts.
4. Check the equipment powered by this engine.

Review the instructions provided with the equipment powered by this engine for any precautions and procedures that should be followed before engine startup.

OPERATION

SAFE OPERATING PRECAUTIONS

Before operating the engine for the first time, please review the *SAFETY INFORMATION* section on page 1 and the *BEFORE OPERATION CHECKS* above.

For your safety, do not operate the engine in an enclosed area such as a garage. Your engine's exhaust contains poisonous carbon monoxide gas that can collect rapidly in an enclosed area and cause illness or death.

⚠ WARNING

Exhaust contains poisonous carbon monoxide gas that can build up to dangerous levels in closed areas. Breathing carbon monoxide can cause unconsciousness or death.

Never run the engine in a closed or even partially closed area where people may be present.

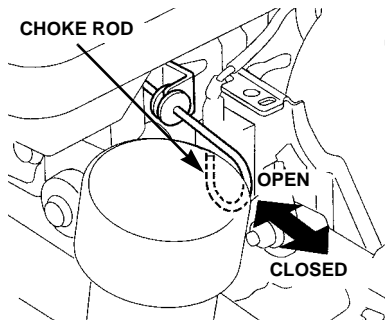
Review the instructions provided with the equipment powered by this engine for any safety precautions that should be observed with engine startup, shutdown or operation.

Do not operate the engine on slopes greater than 20°.

TYPE 1: MANUAL THROTTLE / MANUAL CHOKE

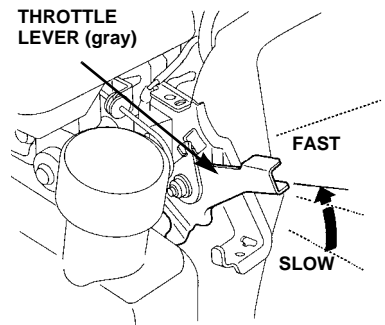
Starting The Engine

1. Pull the choke rod to the CLOSED position (cold engine).



2. Move the throttle lever (gray) away from the SLOW position, about 1/3 of the way toward the FAST position.

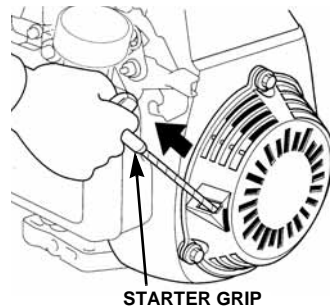
Some engine applications use a remotely-mounted throttle control rather than the engine-mounted throttle lever shown here.



3. Pull the starter grip lightly until resistance is felt, then pull briskly.

NOTICE

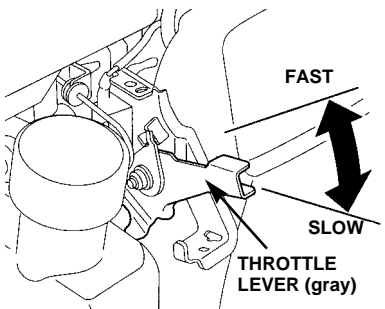
Do not allow the starter grip to snap back against the engine. Return it gently to prevent damage to the starter.



4. If the choke rod was pulled to the CLOSED position to start the engine, push it to the OPEN position as soon as the engine warms up enough to run smoothly.

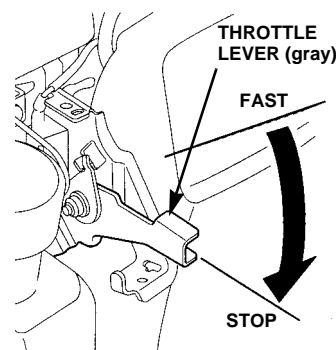
Throttle Setting

Position the throttle control lever (gray) for the desired engine speed. For best engine performance, it is recommended the engine be operated with the throttle in the FAST (or high) position.



Stopping The Engine

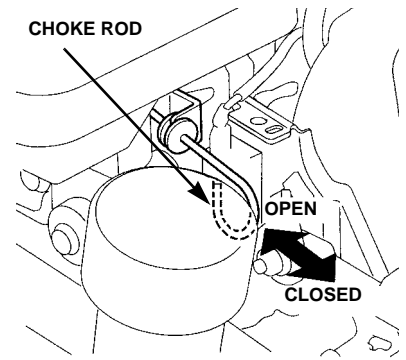
1. Move the throttle lever (gray) to the SLOW position.
2. Allow the engine to idle for a few seconds, then move the throttle lever to the STOP position.



TYPE 2: FIXED THROTTLE / IGNITION SWITCH LEVER / MANUAL CHOKE

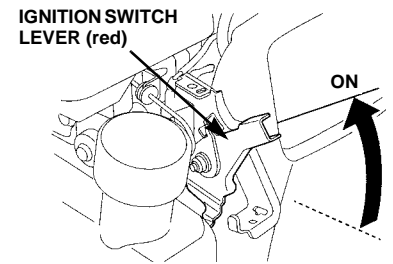
Starting The Engine

1. Pull the choke rod to the CLOSED position (cold engine).



2. Move the ignition switch lever (red) to the ON position.

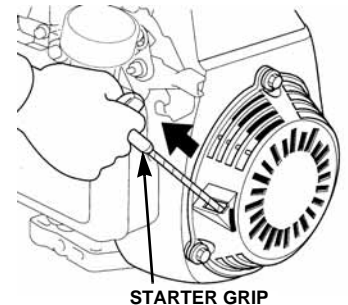
Some engine applications use a remote-mounted ignition switch rather than the engine-mounted ignition switch lever shown here.



3. Pull the starter grip lightly until resistance is felt, then pull briskly.

NOTICE

Do not allow the starter grip to snap back against the engine. Return it gently to prevent damage to the starter.

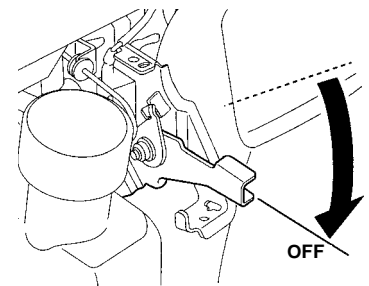


4. If the choke rod was pulled to the CLOSED position to start the engine, push it to the OPEN position as soon as the engine warms up enough to run smoothly.

5. The engine speed is preset on this type.

Stopping The Engine

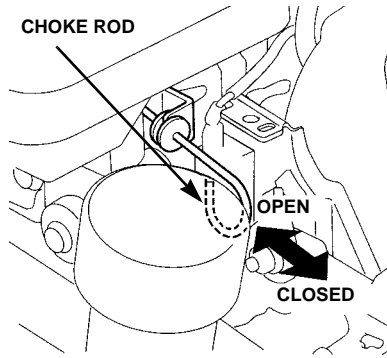
Move the ignition switch lever (red) to the OFF position.



TYPE 3: FIXED THROTTLE / ENGINE STOP SWITCH / MANUAL CHOKE

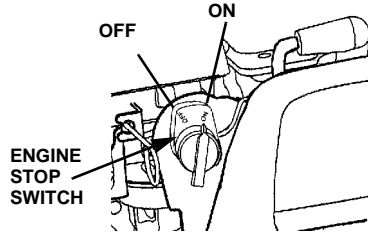
Starting The Engine

1. Pull the choke rod to the CLOSED position (cold engine).



2. Move the engine stop switch to the ON position.

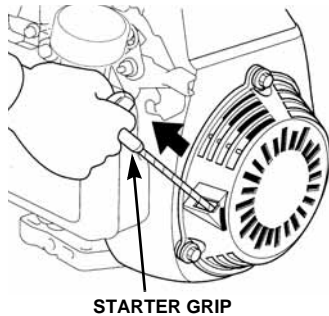
Some engine applications use a remote-mounted ignition switch rather than the engine-mounted engine stop switch shown here.



3. Pull the starter grip lightly until resistance is felt, then pull briskly.

NOTICE

Do not allow the starter grip to snap back against the engine. Return it gently to prevent damage to the starter.



4. If the choke rod was pulled to the CLOSED position to start the engine, push it to the OPEN position as soon as the engine warms up enough to run smoothly.

5. The engine speed is preset on this type.

Stopping The Engine

Move the engine stop switch to the OFF position.

OIL ALERT® SYSTEM

The Oil Alert system is designed to prevent engine damage caused by an insufficient amount of oil in the crankcase. Before the oil level in the crankcase can fall below a safe limit, the Oil Alert system will automatically stop the engine [the throttle lever (ignition switch lever) will remain in a run position].

If the engine stops and will not restart, check the engine oil level (page 6) before troubleshooting in other areas.

SERVICING YOUR ENGINE

THE IMPORTANCE OF MAINTENANCE

Good maintenance is essential for safe, economical and trouble-free operation. It will also help reduce pollution.

⚠ WARNING

Improper maintenance, or failure to correct a problem before operation, can cause a malfunction in which you can be seriously hurt or killed.

Always follow the inspection and maintenance recommendations and schedules in this owner's manual.

To help you properly care for your engine, the following pages include a maintenance schedule, routine inspection procedures, and simple maintenance procedures using basic hand tools. Other service tasks that are more difficult, or require special tools, are best handled by professionals and are normally performed by a Honda technician or other qualified mechanic.

The maintenance schedule applies to normal operating conditions. If you operate your engine under severe conditions, such as sustained high-load or high-temperature operation, or use in unusually wet or dusty conditions, consult your servicing dealer for recommendations applicable to your individual needs and use.

Remember that an authorized Honda servicing dealer knows your engine best and is fully equipped to maintain and repair it.

To ensure the best quality and reliability, use only new Honda Genuine parts or their equivalents for repair and replacement.

Maintenance, replacement, or repair of the emission control devices and systems may be performed by any engine repair establishment or individual, using parts that are "certified" to EPA standards.

MAINTENANCE SAFETY

Some of the most important safety precautions follow. However, we cannot warn you of every conceivable hazard that can arise in performing maintenance. Only you can decide whether or not you should perform a given task.

⚠ WARNING

Failure to properly follow maintenance instructions and precautions can cause you to be seriously hurt or killed.

Always follow the procedures and precautions in this owner's manual.

Safety Precautions

- Make sure the engine is off before you begin any maintenance or repairs. This will eliminate several potential hazards:
 - **Carbon monoxide poisoning from engine exhaust.**
Be sure there is adequate ventilation whenever you operate the engine.
 - **Burns from hot parts.**
Let the engine and exhaust system cool before touching.
 - **Injury from moving parts.**
Do not run the engine unless instructed to do so.
- Read the instructions before you begin, and make sure you have the tools and skills required.
- To reduce the possibility of fire or explosion, be careful when working around gasoline. Use only a nonflammable solvent, not gasoline, to clean parts. Keep cigarettes, sparks and flames away from all fuel related parts.

MAINTENANCE SCHEDULE

ITEM	Perform at every indicated month or operating hour interval, whichever comes first.	REGULAR SERVICE PERIOD (4)						Page
		Before Each Use	First Month or 5 Hrs	Every 3 Months or 25 Hrs	Every 6 Months or 50 Hrs	Every Year or 100 Hrs	Every Two Years or 250 Hrs	
Engine oil	Check	○						6
	Change		○		○ (2)			6
Air filter	Check	○						6
	Clean			○ (1)				
Spark plug	Replace						○	6
	Check-adjust					○		
Spark arrester	Clean					○		7
Idle speed	Check-adjust					○(3)		Shop manual
Fuel tank and filter	Clean					○(3)		Shop manual
Valve clearance	Check-adjust					○(3)		Shop manual
Fuel tube	Check	Every 2 years (Replace if necessary) (3)						Shop manual
Combustion chamber	Clean	After every 250 hours (3)						Shop manual

- (1) Service more frequently when used in dusty areas.
- (2) Change engine oil every 25 hours when used under heavy load or in high ambient temperatures.
- (3) These items should be serviced by an authorized Honda servicing dealer, unless you have the proper tools and are mechanically proficient. Refer to the Honda shop manual for service procedures.
- (4) For commercial use, log hours of operation to determine proper maintenance intervals.

Failure to follow this maintenance schedule could result in non-warrantable failures.

REFUELING

This engine is certified to operate on unleaded gasoline with a pump octane rating of 86 or higher.

Refuel in a well-ventilated area with the engine stopped. If the engine has been running, allow it to cool first. Never refuel the engine inside a building where gasoline fumes can reach flames or sparks.

You may use regular unleaded gasoline containing no more than 10% ethanol (E10) or 5% methanol by volume. In addition, methanol must contain cosolvents and corrosion inhibitors. Use of fuels with content of ethanol or methanol greater than shown above may cause starting and/or performance problems. It may also damage metal, rubber, and plastic parts of the fuel system. Engine damage or performance problems that result from using a fuel with percentages of ethanol or methanol greater than shown above are not covered by warranty.

If your equipment will be used on an infrequent or intermittent basis, please refer to the fuel section of the *STORAGE* chapter (page 7) for additional information regarding fuel deterioration.

WARNING

Gasoline is highly flammable and explosive, and you can be burned or seriously injured when refueling.

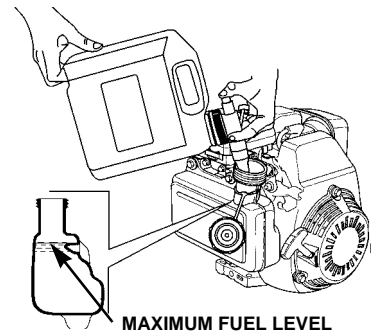
- Stop engine and keep heat, sparks, and flame away.
- Refuel only outdoors.
- Wipe up spills immediately.

NOTICE

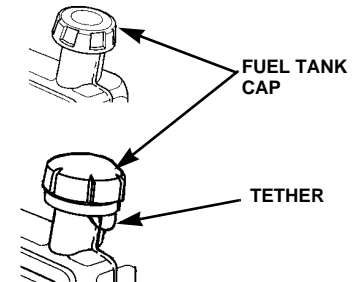
Fuel can damage paint and some types of plastic. Be careful not to spill fuel when filling your fuel tank. Damage caused by spilled fuel is not covered under the DISTRIBUTOR'S LIMITED WARRANTY (see page 11).

Never use stale or contaminated gasoline or oil/gasoline mixture. Avoid getting dirt or water in the fuel tank.

1. Remove the fuel tank cap.
2. Add fuel to the bottom of the fuel level limit in the neck of the fuel tank. Do not overfill. Wipe up spilled fuel before starting the engine.



3. After refueling, tighten the fuel tank cap.
 - a. Non-tether type:
Tighten the cap securely.
 - b. Tether type:
Tighten the cap until it clicks.

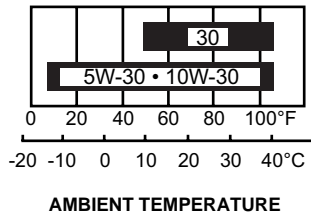


Move at least 3 meters (10 feet) away from the fueling source and site before starting the engine

ENGINE OIL

Recommended Oil

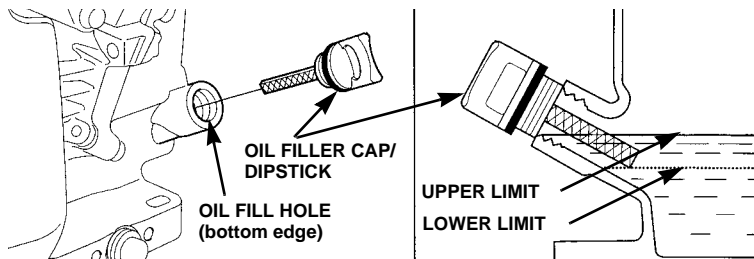
Use 4-stroke motor oil that meets or exceeds the requirements for API service category SJ or later (or equivalent). Always check the API service label on the oil container to be sure it includes the letters SJ or later (or equivalent).



SAE 10W-30 is recommended for general use. Other viscosities shown in the chart may be used when the average temperature in your area is within the indicated range.

Oil Level Check

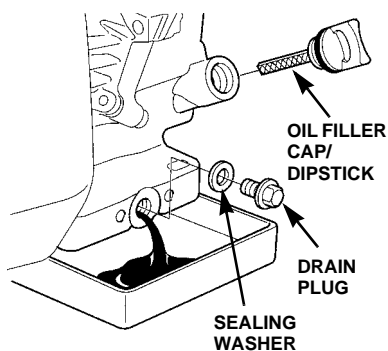
1. Check the oil with the engine stopped and level.
2. Remove the oil filler cap/dipstick and wipe it clean.
3. Insert the oil filler cap/dipstick into the oil filler neck as shown, but do not screw it in, then remove it to check the oil level.
4. If the oil level is near or below the lower limit mark on the dipstick, fill with the recommended oil to the upper limit mark (bottom edge of the oil fill hole). Do not overfill.
5. Reinstall the oil filler cap/dipstick.



Oil Change

Drain the engine oil when the engine is warm. Warm oil drains quickly and completely.

1. Place a suitable container next to the engine to catch the used oil.
2. Remove the oil filler cap/dipstick, the oil drain plug and washer.
3. Allow the used oil to drain completely, then reinstall the drain plug and new washer. Tighten the drain plug securely.



Please dispose of used motor oil in a manner that is compatible with the environment. We suggest you take used oil in a sealed container to your local recycling center or service station for reclamation. Do not throw it in the trash or pour it on the ground or down a drain.

4. With the engine in a level position, fill to the upper limit mark (bottom edge of the oil fill hole) on the dipstick with the recommended oil (see page 6) Do not overfill.

NOTICE

Running the engine with a low oil level can cause engine damage. This type of damage is not covered by the DISTRIBUTOR'S LIMITED WARRANTY.

5. Reinstall the oil filler cap/dipstick securely.

AIR CLEANER

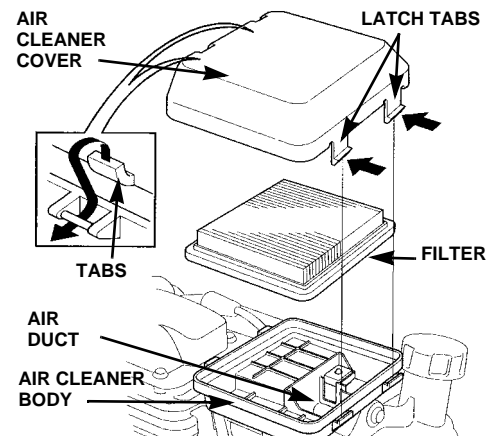
A dirty air cleaner will restrict air flow to the carburetor and cause poor engine performance. Inspect the filter each time the engine is operated. You will need to clean the filter more frequently if you operate the engine in very dusty areas.

NOTICE

Operating the engine without an air filter, or with a damaged filter, will allow dirt to enter the engine, causing rapid engine wear. This type of damage is not covered under the DISTRIBUTOR'S LIMITED WARRANTY (see page 11).

Inspection

1. Press the latch tabs on the top of the air cleaner cover, and remove the cover. Check the filter to be sure it is clean and in good condition.
2. Reinstall the filter and air cleaner cover.



Cleaning

1. Tap the filter several times on a hard surface to remove dirt, or blow compressed air [not exceeding 207 kPa, 2.1 kg/cm² (30 psi)] through the filter from the clean side that faces the engine. Never try to brush off dirt. Brushing will force dirt into the fibers.
2. Wipe dirt from the air cleaner body and cover using a moist rag. Be careful to prevent dirt from entering the air duct that leads to the carburetor.

SPARK PLUG

Recommended Spark Plug: NGK BPR6ES

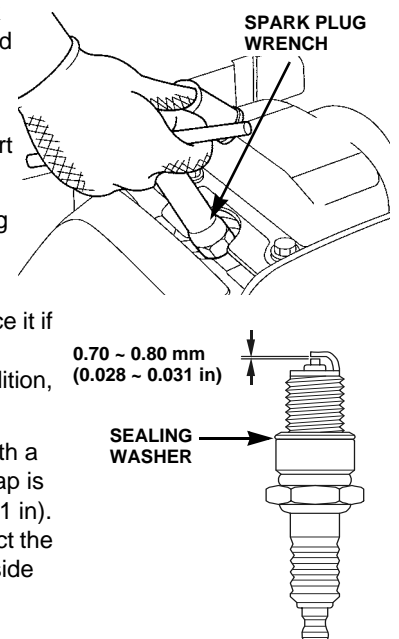
The recommended spark plug is the correct heat range for normal engine operating temperatures.

NOTICE

Incorrect spark plugs can cause engine damage.

For good performance, the spark plug must be properly gapped and free of deposits.

1. Disconnect the cap from the spark plug, and remove any dirt from the spark plug area.
2. Use the proper size spark plug wrench to remove the spark plug.
3. Inspect the spark plug. Replace it if damaged, badly fouled, if the sealing washer is in poor condition, or if the electrode is worn.
4. Measure the electrode gap with a suitable gauge. The correct gap is 0.70 ~ 0.80 mm (0.028 ~ 0.031 in). If adjustment is needed, correct the gap by carefully bending the side electrode.



5. Install the spark plug carefully, by hand, to avoid cross-threading.
6. After the spark plug is seated, tighten with the proper size spark plug wrench to compress the washer.
7. When installing a new spark plug, tighten 1/2 turn after the spark plug seats to compress the washer.
8. When reinstalling the original spark plug, tighten 1/8 - 1/4 turn after the spark plug seats to compress the washer.

NOTICE

A loose spark plug can become very hot and can damage the engine. Overtightening the spark plug can damage the threads in the cylinder head.

9. Attach the spark plug cap to the spark plug.

SPARK ARRESTER (optional equipment)

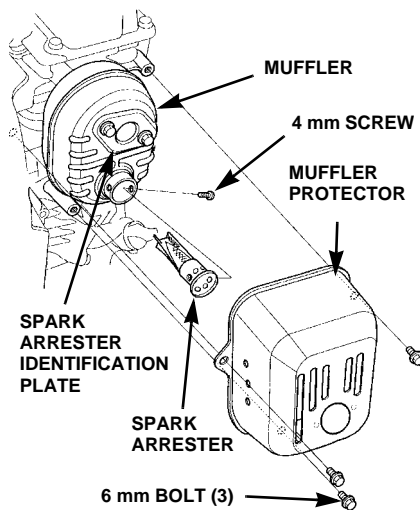
The spark arrester may be standard or an optional part, depending on the engine type. In some areas, it is illegal to operate an engine without a spark arrester. Check local laws and regulations. A spark arrester is available from authorized Honda servicing dealers.

The spark arrester must be serviced every 100 hours to keep it functioning as designed.

If the engine has been running, the muffler will be hot. Allow it to cool before servicing the spark arrester.

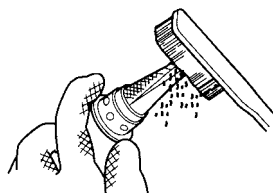
Removal

1. Remove the three 6 mm bolts from the muffler protector, and remove the muffler protector.
2. Remove the 4 mm screw from the spark arrester, and remove the spark arrester from the muffler.



Cleaning and Inspection

1. Use a brush to remove carbon deposits from the spark arrester screen. Be careful not to damage the screen. Replace the spark arrester if it has breaks or holes.
2. Install the spark arrester in the reverse order of removal.



STORING YOUR ENGINE

Proper storage preparation is essential for keeping your engine trouble-free and looking good. The following steps will help to keep rust and corrosion from impairing your engine's function and appearance, and will make the engine easier to start when you use it again.

CLEANING

If the engine has been running, allow it to cool for at least half an hour before cleaning. Clean all exterior surfaces, touch up any damaged paint, and coat other areas that may rust with a light film of oil.

NOTICE

Using a garden hose or pressure washing equipment can force water into the air cleaner or muffler opening. Water in the air cleaner will soak the air filter, and water that passes through the air filter or muffler can enter the cylinder, causing damage.

FUEL

NOTICE

Depending on the region where you operate your equipment, fuel formulations may deteriorate and oxidize rapidly. Fuel deterioration and oxidation can occur in as little as 30 days and may cause damage to the carburetor and/or fuel system. Please check with your servicing dealer for local storage recommendations.

Gasoline will oxidize and deteriorate in storage. Deteriorated gasoline will cause hard starting, and it leaves gum deposits that clog the fuel system. If the gasoline in your engine deteriorates during storage, you may need to have the carburetor, and other fuel system components, serviced or replaced.

The length of time that gasoline can be left in your fuel tank and carburetor without causing functional problems will vary with such factors as gasoline blend, your storage temperatures, and whether the fuel tank is partially or completely filled. The air in a partially filled fuel tank promotes fuel deterioration. Very warm storage temperatures accelerate fuel deterioration. Fuel problems may occur within a few months, or even less if the gasoline was not fresh when you filled the fuel tank.

Fuel system damage or engine performance problems resulting from neglected storage preparation are not covered under the *DISTRIBUTOR'S LIMITED WARRANTY* (see page 11).

You can extend fuel storage life by adding a gasoline stabilizer that is formulated for that purpose, or you can avoid fuel deterioration problems by draining the fuel tank and carburetor.

Adding A Gasoline Stabilizer

When adding a gasoline stabilizer, fill the fuel tank with fresh gasoline. If only partially filled, air in the tank will promote fuel deterioration during storage. If you keep a container of gasoline for refueling, be sure that it contains only fresh gasoline.

1. Add gasoline stabilizer following the manufacturer's instructions.
2. After adding a gasoline stabilizer, run the engine outdoors for 10 minutes to be sure that treated gasoline has replaced the untreated gasoline in the carburetor.
3. Stop the engine.

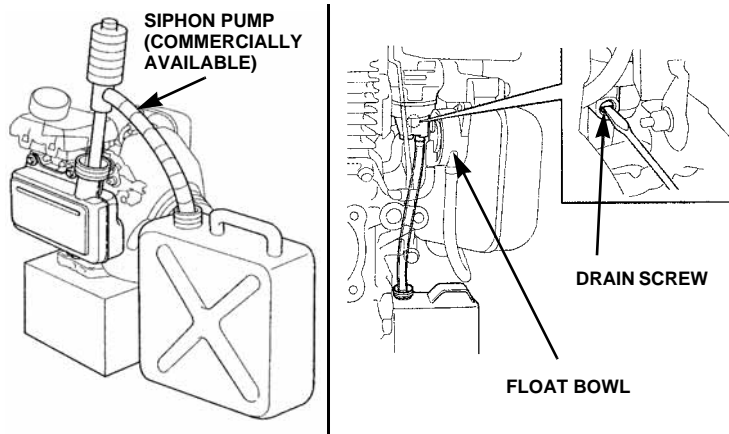
Draining The Fuel Tank And Carburetor

WARNING

Gasoline is highly flammable and explosive, and you can be burned or seriously injured when handling fuel.

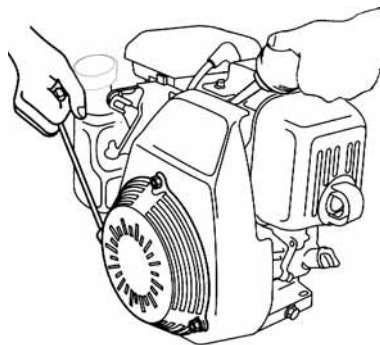
- Stop engine and keep heat, sparks, and flame away.
- Refuel only outdoors.
- Wipe up spills immediately.

1. Use a siphon pump (commercially available) and siphon the fuel out of the fuel tank into an approved gasoline container.
2. Place an approved gasoline container below the carburetor, and use a funnel to avoid spilling fuel.
3. Loosen the carburetor drain screw, and drain the carburetor into an approved gasoline container. After draining is completed, tighten the carburetor drain screw.



ENGINE OIL

1. Change the engine oil (see page 6).
2. Remove the spark plug (see page 6).
3. Pour 1 - 2 teaspoons (5 - 10 cc) of clean engine oil into the cylinder.
4. Pull the recoil starter several times to distribute the oil.
5. Reinstall the spark plug.



STORAGE PRECAUTIONS

If your engine will be stored with gasoline in the fuel tank and carburetor, it is important to reduce the hazard of gasoline vapor ignition. Select a well-ventilated storage area away from any appliance that operates with a flame, such as a furnace, water heater, or clothes dryer. Also avoid any area with a spark-producing electric motor, or where power tools are operated.

If possible, avoid storage areas with high humidity, because that promotes rust and corrosion.

Keep the engine level in storage. Tilting can cause fuel or oil leakage.

With the engine and exhaust system cool, cover the engine to keep out dust. A hot engine and exhaust system can ignite or melt some materials. Do not use sheet plastic as a dust cover. A nonporous cover will trap moisture around the engine, promoting rust and corrosion.

REMOVAL FROM STORAGE

Check your engine as described in the *BEFORE OPERATION CHECKS* section of this manual (see page 2).

If the fuel was drained during storage preparation, fill the tank with fresh gasoline. If you keep a container of gasoline for refueling, be sure it contains only fresh gasoline. Gasoline oxidizes and deteriorates over time, causing hard starting.

If the cylinder was coated with oil during storage preparation, the engine will smoke briefly at startup. This is normal.

TRANSPORTING

Keep the engine level when transporting to reduce the possibility of fuel leakage.

Review the instructions provided with the equipment powered by this engine for any procedures that should be followed for transporting.

TAKING CARE OF UNEXPECTED PROBLEMS

ENGINE WILL NOT START

Possible Cause	Correction
Choke open.	Pull the choke to the CLOSED position unless the engine is warm.
Ignition switch OFF.	<ul style="list-style-type: none"> • Move the throttle lever to the SLOW or FAST position (page 3). • Move the ignition switch lever to the ON position (page 3). • Move the engine stop switch to the ON position (page 4).
Engine oil level low (Oil Alert models).	Fill with the recommended oil to the proper level (page 6).
Out of fuel.	Refuel.
Bad fuel; engine stored without treating or draining gasoline, or refueled with bad gasoline.	Drain the fuel tank and carburetor (page 8). Refuel with fresh gasoline.
Spark plug faulty, fouled, or improperly gapped.	Replace the spark plug (page 6).
Spark plug wet with fuel (flooded engine).	Dry and reinstall spark plug. Start engine with throttle lever in FAST position (choke in OPEN position).
Fuel filter clogged, carburetor malfunction, ignition malfunction, valves stuck, etc.	Take engine to an authorized Honda servicing dealer, or refer to shop manual.

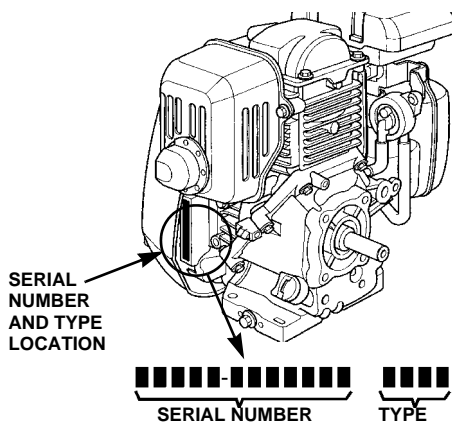
ENGINE LACKS POWER

Possible Cause	Correction
Filter clogged.	Clean or replace the filter (page 6).
Bad fuel; engine stored without treating or draining gasoline, or refueled with bad gasoline.	Drain the fuel tank and carburetor (page 8). Refuel with fresh gasoline.
Fuel filter clogged, carburetor malfunction, ignition malfunction, valves stuck, etc.	Take engine to an authorized Honda servicing dealer, or refer to shop manual.

TECHNICAL INFORMATION

SERIAL NUMBER LOCATION

Record the engine serial number in the space below. You will need this information when ordering parts and when making technical or warranty inquiries.



Engine serial number: _____ - _____

Engine type: _____

Date Purchased: ___ / ___ / ___

Radio Frequency Interference Label (Canada)

This engine complies with Canadian radio frequency interference regulations, ICES-002.

THIS SPARK IGNITION SYSTEM COMPLIES WITH CANADIAN ICES-002.
CE SYSTÈME D'ALLUMAGE PAR ÉTINCELLE EST CONFORME À LA NORME NMB-002 DU CANADA.

CARBURETOR MODIFICATIONS FOR HIGH ALTITUDE OPERATION

At high altitude, the standard carburetor air-fuel mixture will be too rich. Performance will decrease, and fuel consumption will increase. A very rich mixture will also foul the spark plug and cause hard starting. Operation at an altitude that differs from that at which this engine was certified, for extended periods of time, may increase emissions.

High altitude performance can be improved by specific modifications to the carburetor. If you always operate your engine at altitudes above 1,500 meters (5,000 feet), have your servicing dealer perform this carburetor modification. This engine, when operated at high altitude with the carburetor modifications for high altitude use, will meet each emission standard throughout its useful life.

Even with carburetor modification, engine horsepower will decrease about 3.5% for each 300-meter (1,000-foot) increase in altitude. The effect of altitude on horsepower will be greater than this if no carburetor modification is made.

NOTICE

When the carburetor has been modified for high altitude operation, the air-fuel mixture will be too lean for low altitude use. Operation at altitudes below 1,500 meters (5,000 feet) with a modified carburetor may cause the engine to overheat and result in serious engine damage. For use at low altitudes, have your servicing dealer return the carburetor to original factory specifications.

EMISSION CONTROL SYSTEM INFORMATION

Source of Emissions

The combustion process produces carbon monoxide, oxides of nitrogen, and hydrocarbons. Control of hydrocarbons and oxides of nitrogen is very important because, under certain conditions, they react to form photochemical smog when subjected to sunlight. Carbon monoxide does not react in the same way, but it is toxic.

Honda utilizes appropriate air/fuel ratios and other emissions control systems to reduce the emissions of carbon monoxide, oxides of nitrogen, and hydrocarbons. Additionally, Honda fuel systems utilize components and control technologies to reduce evaporative emissions.

The U.S., California Clean Air Act, and Environment Canada

EPA, California, and Canadian regulations require all manufacturers to furnish written instructions describing the operation and maintenance of emission control systems.

The following instructions and procedures must be followed in order to keep the emissions from your Honda engine within the emission standards.

Tampering and Altering

Tampering with or altering the emission control system may increase emissions beyond the legal limit. Among those acts that constitute tampering are:

- Removal or alteration of any part of the intake, fuel, or exhaust systems.
- Altering or defeating the governor linkage or speed-adjusting mechanism to cause the engine to operate outside its design parameters.

Problems That May Affect Emissions

If you are aware of any of the following symptoms, have your engine inspected and repaired by your servicing dealer.

- Hard starting or stalling after starting.
- Rough idle.
- Misfiring or backfiring under load.
- Afterburning (backfiring).
- Black exhaust smoke or high fuel consumption.

Replacement Parts

The emission control systems on your Honda engine were designed, built, and certified to conform with EPA, California, and Canadian emission regulations. We recommend the use of Honda Genuine parts whenever you have maintenance done. These original-design replacement parts are manufactured to the same standards as the original parts, so you can be confident of their performance. The use of replacement parts that are not of the original design and quality may impair the effectiveness of your emission control system.

A manufacturer of an aftermarket part assumes the responsibility that the part will not adversely affect emission performance. The manufacturer or rebuilder of the part must certify that use of the part will not result in a failure of the engine to comply with emission regulations.

Maintenance

Follow the maintenance schedule on page 5. Remember that this schedule is based on the assumption that your machine will be used for its designed purpose. Sustained high-load or high-temperature operation, or use in unusually wet or dusty conditions, will require more frequent service.

Air Index

An Air Index Information hang tag/label is applied to engines certified to an emission durability time period in accordance with the requirements of the California Air Resources Board.

The bar graph is intended to provide you, our customer, the ability to compare the emissions performance of available engines. The lower the Air Index, the less pollution.

The durability description is intended to provide you with information relating the engine's emission durability period. The descriptive term indicates the useful life period for the engine's emission control system. See your *EMISSION CONTROL SYSTEM WARRANTY* (page 13) for additional information.

Descriptive Term	Applicable to Emissions Durability Period
Moderate	50 hours (0–80 cc inclusive) 125 hours (greater than 80 cc)
Intermediate	125 hours (0–80 cc inclusive) 250 hours (greater than 80 cc)
Extended	300 hours (0–80 cc inclusive) 500 hours (greater than 80 cc) 1000 hours (225 cc and greater)

SPECIFICATIONS

GC160

Length x Width x Height	337 x 369 x 331 mm (13.3 x 14.5 x 13.0 in)
Dry weight	11.5 kg (25 lb)
Engine type	4-stroke, overhead cam, single cylinder
Displacement [Bore x Stroke]	160 cm ³ (9.8 cu-in) [64 x 50 mm (2.5 x 2.0 in)]
Net power * (in accordance with SAE J1349)	3.4 kW (4.6 hp) at 3,600 rpm
Max. Net torque * (in accordance with SAE J1349)	9.4 N•m (6.9 ft-lb) at 2,500 rpm
Oil capacity	0.58 ℓ (0.61 US qt)
Fuel tank capacity	1.8 ℓ (0.48 gal)
Cooling system	Forced air
Ignition system	Transistorized magneto
PTO shaft rotation	Counterclockwise

GC190

Length x Width x Height	345 x 369 x 331 mm (13.6 x 14.5 x 13.0 in)
Dry weight	13.2 kg (29 lb)
Engine type	4-stroke, overhead cam, single cylinder
Displacement [Bore x Stroke]	187 cm ³ (11.4 cu-in) [69 x 50 mm (2.7 x 2.0 in)]
Net power * (in accordance with SAE J1349)	3.9 kW (5.2 hp) at 3,600 rpm
Max. Net torque * (in accordance with SAE J1349)	11.2 N•m (8.3 ft-lb) at 2,500 rpm
Oil capacity	0.58 ℓ (0.61 US qt)
Fuel tank capacity	1.8 ℓ (0.48 gal)
Cooling system	Forced air
Ignition system	Transistorized magneto
PTO shaft rotation	Counterclockwise

* The power rating of the engine indicated in this document is the net power output tested on a production engine for the engine model and measured in accordance with SAE J1349 at 3600 rpm (net power) and 2500 rpm (max. net torque). Mass production engines may vary from this value. Actual power output for the engine installed in the final machine will vary depending on numerous factors, including the operating speed off the engine in application, environmental conditions, maintenance, and other variables.

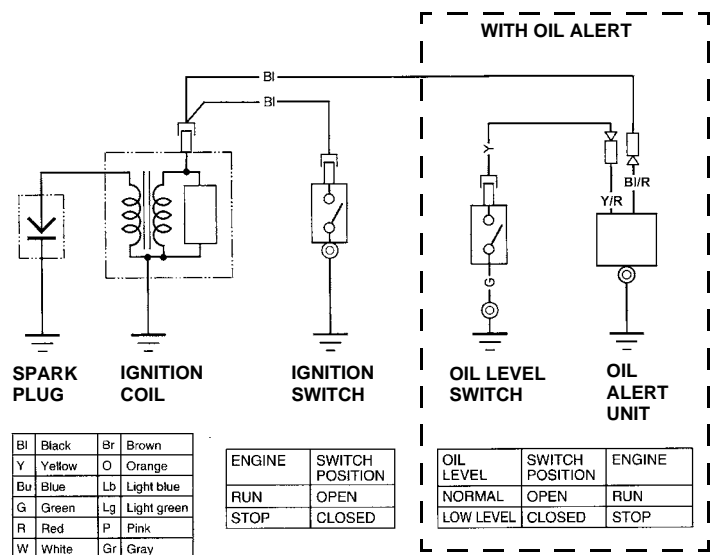
Tuneup Specifications

ITEM	SPECIFICATION	MAINTENANCE
Spark plug gap	0.7 ~ 0.8 mm (0.028 ~ 0.031 in)	Refer to page 6.
Valve clearance (cold)	IN: 0.15 ± 0.04 mm EX: 0.20 ± 0.04 mm	See your authorized Honda dealer
Other specifications	No other adjustments needed.	

Quick Reference Information

Fuel	Type	Unleaded gasoline with a pump octane rating of 86 or higher (page 5).
Engine Oil	Type	SAE 10W-30, API SJ or later, for general use. Refer to page 6.
Carburetor	Idle Speed	1,400 ± 150 rpm
Spark plug	Type	BPR6ES (NGK)
Maintenance	Before each use	Check engine oil level. Refer to page 6. Check air filter. Refer to page 6.
	First 5 hours	Change engine oil. Refer to page 6.
	Subsequent	Refer to the maintenance schedule on page 5.

Wiring Diagrams



CONSUMER INFORMATION

DISTRIBUTOR/DEALER LOCATOR INFORMATION

United States, Puerto Rico, and U.S. Virgin Islands:

Call (800) 426-7701

or visit our website: www.honda-engines.com

Canada:

Call (888) 9Honda9

or visit our website: www.honda.ca

Honda PUBLICATIONS

Shop Manual	This manual covers complete maintenance and overhaul procedures. It is intended to be used by a skilled technician. Available through your Honda dealer or through Helm Inc. at 1 888-292-5395 or visit www.Honda-engines.com > product manuals.
Parts Catalog	This manual provides complete, illustrated parts lists. Available through your Honda dealer.

CUSTOMER SERVICE INFORMATION

United States, Puerto Rico, and U.S. Virgin Islands:

Servicing dealership personnel are trained professionals. They should be able to answer any question you may have. If you encounter a problem that your dealer does not solve to your satisfaction, please discuss it with the dealership's management. The Service Manager, General Manager, or Owner can help. Almost all problems are solved in this way.

If you are dissatisfied with the decision made by the dealership's management, contact the Honda Regional Engine Distributor for your area. You can find their name, address, and phone number using the dealer/distributor locator on our website at www.honda-engines.com or by calling 1-800-426-7701.

If you are still dissatisfied after speaking with the Regional Engine Distributor, you may contact the Honda Power Equipment Customer Relations Office for your area. You can write to:

American Honda Motor Co., Inc.

Power Equipment Division

Customer Relations Office

4900 Marconi Drive

Alpharetta, GA 30005-8847

Or telephone: (770) 497-6400, 8:30 am - 7:00 pm ET

Canada:

Honda Canada, Inc

Customer Relations Office

Visit www.honda.ca for contact information

Telephone: (888) 9Honda9 Toll free

Facsimile: (877) 939-0909 Toll free

When you write or call, please provide this information:

- Equipment manufacturer's name and model number that the engine is mounted on
- Engine model, serial number, and type (see page 9)
- Name of dealer who sold the engine to you
- Name, address, and contact person of the dealer who services your engine
- Date of purchase
- Your name, address and telephone number
- A detailed description of the problem

DISTRIBUTOR'S LIMITED WARRANTIES

The applicable warranty is the warranty policy in effect in the country where the warranty service is provided.

Distributor's Limited Warranty

United States, Puerto Rico, or the U.S. Virgin Islands

PRODUCTS COVERED BY THIS WARRANTY:	LENGTH OF WARRANTY: (FROM DATE OF ORIGINAL PURCHASE)	
	PRIVATE/ RESIDENTIAL ⁽¹⁾	COMMERCIAL/RENTAL/ INSTITUTIONAL ⁽²⁾
GC Series Engines	24 months	3 months

⁽¹⁾ Private Residential: Used in maintaining owner's primary and/or secondary residence. Any other use, including but not limited to informal "for hire" use, is considered commercial/rental/institutional.

⁽²⁾ Honda GC general purpose engines are not covered by this warranty when installed on concession type vehicles.

To Qualify for this Warranty:

The Honda general purpose engine must be purchased from a Honda general purpose engine dealer or distributor authorized to sell that product in the United States, Puerto Rico, or the U.S. Virgin Islands. This limited warranty applies to first retail purchaser and each subsequent owner during the applicable warranty time period.

What American Honda Will Repair or Replace Under Warranty:

American Honda will repair or replace, at its option, any part that is proven to be defective in material or workmanship under normal use during the applicable warranty time period. Warranty repairs and replacements will be made without charge for parts or labor. Anything replaced under warranty becomes the property of American Honda Motor Company, Inc. All parts replaced under warranty will be considered as part of the original product and any warranty on those parts will expire coincident with the original product warranty.

To Obtain Warranty Service:

You must take your Honda general purpose engine, or the equipment in which it is installed, together with proof of original retail purchase date, at your expense, to a Honda engine dealer or distributor authorized to sell that product in the United States, Puerto Rico, or the U.S. Virgin Islands, during their normal business hours. Many Honda engine dealers and distributors are listed in the yellow pages of the telephone directory under gasoline engines, lawn & garden equipment & supplies, etc.

If you are unable to obtain warranty service, or are dissatisfied with the warranty service you receive, take the following steps: First contact the owner of the dealership or distributor involved. Normally this should resolve the problem. However, if you should require further assistance, write or call the Power Equipment Customer Relations Department of American Honda Motor Co., Inc. listed in the adjacent column.

Exclusions:

This warranty does not extend to parts affected or damaged by the product in which the engine is installed, or by collision, misuse, neglect, parts worn beyond service limits due to normal wear/normal service life, parts affected or damaged by the conversion to or use of fuel other than the fuel(s) which the engine is originally manufactured to use, poor operation related to fuel contamination or fuel quality, parts damaged by fuel contamination, the incorporation of, or use of, unsuitable attachments or parts, the unauthorized alteration of any part or any causes other than defects in material or workmanship of the engine. Use of the Honda general purpose engine for racing or competition will void this warranty. Any engine that is part of a product that has ever been declared a total loss or sold for salvage by a financial institution or insurer.

Disclaimer of Consequential Damage and Limitation of Implied Warranties:

American Honda disclaims any responsibility for loss of time or use of the engine, or the equipment in which the engine is installed, transportation, commercial loss, or any other incidental or consequential damage. Any implied warranties are limited to the duration of this written limited warranty. Some states do not allow limitations on how long an implied warranty lasts and/or do not allow the exclusion or limitation of incidental or consequential damages, so the above exclusions and limitations may not apply to you. This warranty gives you specific legal rights, and you may also have other rights which vary from state to state.

International Warranty

See last pages.

Distributor's Warranty Canada

Honda Canada Inc., for and on behalf of Honda Motor Co. Ltd., Tokyo, Japan, gives the following written warranty on each new General Purpose Engine manufactured by Honda Motor Co. Ltd., Japan, distributed in Canada by Honda Canada Inc. and sold as part of the original equipment of machinery or equipment when such machinery or equipment is manufactured in Canada. Whenever used herein, the word "Honda" refers to Honda Canada Inc. and/or Honda Motor Co. Ltd. as appropriate from the context.

Honda warrants that each new Honda General Purpose Engine will be free, under normal use and maintenance, from any defects in material or workmanship for the relevant warranty period set forth below. If any defects should be found in a Honda General Purpose Engine within the relevant warranty period, necessary repairs and replacements with a new part or the Honda equivalent shall be made at no cost to the consumer for parts and labour (except for labour charges due to the presence of an attachment), when Honda acknowledges that such defects are attributable to faulty material or workmanship at the time of manufacture.

Warranty period

Warranty coverage commences from the original date of sale or when the unit is first put into use as a demonstrator.

MODEL	NON-COMMERCIAL	COMMERCIAL	RENTAL	CONCESSION
GC	24 months	3 months	3 months	NONE

NOTE: Concession use refers to go karts etc.

This Warranty covers:

- Any Honda General Purpose Engine purchased from a Honda general purpose engine dealer or distributor authorized to sell that product in Canada.
- Any factory installed part (except normal maintenance parts referred to in "This warranty does not cover"); and
- Any General Purpose Engine on which required maintenance services have been performed as prescribed in the Owner's Manual.

This warranty does not cover:

- Any repairs required as a result of collision, accident, striking any object, racing, misuse, or lack of required maintenance.
- Any repairs required as a result of any attachments, parts, or devices installed by or repairs done by a party other than the Original Equipment Manufacturer or an authorized Honda Power Products dealer.
- Any Honda General Purpose Engine modified, altered, disassembled or remodeled.
- Normal maintenance services, including tightening of nuts, bolts and fittings and engine tune-up and the replacement of parts made in connection with normal maintenance services including filters, spark plugs and wires, fuses, belts, lubricants, and other expendables susceptible to natural wear.

The owner's obligation

In order to maintain the validity of this DISTRIBUTOR'S WARRANTY, the required maintenance services as set forth in the Owner's Manual must be performed at the proper intervals and detailed receipts and records retained as proof.

To obtain warranty service

You must take your Honda General Purpose Engine, at your expense, during normal service hours, to the authorized Honda Power Products dealer or the dealer designated by the manufacturer of the machinery or equipment powered by the Honda engine. If you are unable to obtain or are dissatisfied with the warranty service you receive, first contact the owner of the dealership involved; this should resolve the problem. If you require further assistance, contact Honda Canada Inc., noted on page 11.

Replacement parts warranty

New Honda Genuine replacement parts sold to a consumer or installed by an authorized Honda power equipment dealer which are not covered by the DISTRIBUTOR'S WARRANTY are warranted for a period of one year from date of purchase for normal use, or 3 months for rental or concession use provided, however, that this Replacement Parts Warranty does not apply to any replacement parts modified, used with, or installed on a power product for which the replacement parts were not intended. Electrical components that are not installed by the dealer (sold over the counter) are not covered by warranty.

Entire written warranty

This DISTRIBUTOR'S WARRANTY is the only and the entire written warranty given by Honda for Honda General Purpose Engines. No dealer or his agent or employee is authorized to extend or enlarge on these warranties on behalf of Honda by any written or verbal statement or advertisement.

Disclaimer

To the extent the law permits, Honda disclaims any responsibility for loss of time or use of the General Purpose Engine, transportation or towing costs or any other indirect, incidental or consequential damage, inconvenience or commercial loss.

Notice to consumer

The provisions contained in these written warranties are not intended to limit, modify, take away from, disclaim or exclude any warranties set forth in or the operation of The Consumer Products Warranties Act, 1977 (Saskatchewan), The Consumer Product Warranty and Liability Act (New Brunswick), The Consumer Protection Act (Quebec), or any other similar provincial or federal legislation.

Privacy statement

The owner information submitted may be used by Honda and its related companies, their dealers and service providers to communicate marketing, product and service information to you. If you prefer not to receive marketing information, please contact us at 1-888-946-6329.

EMISSION CONTROL SYSTEM WARRANTY

Your new Honda Power Equipment engine complies with the U.S. EPA, Environment Canada, and State of California emission regulations (models certified for sale in California only). American Honda Motor Co., Inc. provides the emission warranty coverage for engines in the United States, and its territories. Honda Canada Inc. provides the emission warranty for engines in the 13 provinces and territories of Canada. In the remainder of this Emission Control System Warranty, American Honda Motor Company Inc. and Honda Canada Inc. will be referred to as Honda.

YOUR WARRANTY RIGHTS AND OBLIGATIONS:

CALIFORNIA

The California Air Resources Board and Honda are pleased to explain the emission control system warranty on your Honda Power Equipment engine. In California, new spark-ignited small off-road equipment engines must be designed, built, and equipped to meet the State's stringent anti-smog standards.

OTHER STATES, U.S. TERRITORIES, AND CANADA

In other areas of the United States and in Canada, your engine must be designed, built, and equipped to meet the U.S. EPA and Environment Canada emission standards for spark-ignited engines at or below 19 kilowatts. Specific Honda products that do not meet the California emissions regulations can be identified by a "Not for sale in California" decal.

ALL OF THE UNITED STATES AND CANADA

Honda must warrant the emission control system on your power equipment engine for the period of time listed below, provided there has been no abuse, neglect, or improper maintenance of your power equipment engine. Where a warrantable condition exists, Honda will repair your power equipment engine at no cost to you including diagnosis, parts, and labor.

Your emission control system may include such parts as the carburetor or fuel injection system, the ignition system, and catalytic converter. Also included may be hoses, connectors, and other emission-related assemblies.

MANUFACTURER'S WARRANTY COVERAGE:

The 1995 and later power equipment engines are warranted for two years or the length of the Honda Distributor's Warranty, whichever is longer. If any emission-related part on your engine is defective, the part will be repaired or replaced by Honda.

OWNER'S WARRANTY RESPONSIBILITY:

As the power equipment engine owner, you are responsible for the performance of the required maintenance listed in your owner's manual. Honda recommends that you retain all receipts covering maintenance on your power equipment engine, but Honda cannot deny warranty coverage solely for the lack of receipts or for your failure to ensure the performance of all scheduled maintenance.

As the power equipment engine owner, you should however be aware Honda may deny you warranty coverage if your power equipment engine or a part has failed due to abuse, neglect, improper maintenance, or unapproved modifications.

You are responsible for presenting your power equipment engine to a Honda Power Equipment dealer as soon as a problem exists. The warranty repairs should be completed in a reasonable amount of time, not to exceed 30 days.

If you have any questions regarding your warranty rights and responsibilities, you should contact the Honda Office in your region:

American Honda Motor Co., Inc. Power Equipment Customer Relations 4900 Marconi Drive Alpharetta, Georgia 30005-8847 Telephone: (770) 497-6400	or	Honda Canada Inc. Power Equipment Customer Relations Visit www.honda.ca for contact information. Telephone: (888) 946-6329
---	----	--

WARRANTY COVERAGE:

Honda power equipment engines manufactured after January 1, 1995 and sold in the State of California, U.S. EPA certified engines manufactured on or after September 1, 1996 and sold in all of the United States, and Canadian certified engines manufactured on or after January 1, 2005 are covered by this warranty for a period of two years from the date of delivery to the original retail purchaser or the length of the Honda Distributor's Warranty, whichever is longer. This warranty is transferable to each subsequent purchaser for the duration of the warranty period.

Warranty repairs will be made without charge for diagnosis, parts, or labor. All defective parts replaced under this warranty become the property of Honda.

A list of warranted parts is in the table below. Normal maintenance items, such as spark plugs and filters, that are on the warranted parts list are warranted up to their required replacement interval only.

Honda will also replace other engine components damaged by a failure of any warranted part during the warranty period.

Only Honda approved replacement parts may be used in the performance of any warranty repairs and must be provided without charge to the owner. The use of replacement parts not equivalent to the original parts may impair the effectiveness of your engine emission control system. If such a replacement part is used in the repair or maintenance of your engine, and an authorized Honda dealer determines it is defective or causes a failure of a warranted part, your claim for repair of your engine may be denied. If the part in question is not related to the reason your engine requires repair, your claim will not be denied.

TO OBTAIN WARRANTY SERVICE:

You must take your Honda Power Equipment engine or the product on which it is installed, along with your sales registration card or other proof of original purchase date, at your expense, to any Honda Power Equipment dealer who is authorized by Honda to sell and service that Honda product during his normal business hours. Claims for repair or adjustment found to be caused solely by defects in material or workmanship will not be denied because the engine was not properly maintained and used.

If you are unable to obtain warranty service, or are dissatisfied with the warranty service you received, contact the owner of the dealership involved. Normally this should resolve your problem. However, if you require further assistance, write or call the Honda Power Equipment Customer Relations Department in your region.

EXCLUSIONS:

Failures other than those resulting from defects in material or workmanship are not covered by this warranty. This warranty does not extend to emission control systems or parts which are affected or damaged by owner abuse, neglect, improper maintenance, misuse, misfueling, improper storage, collision, the incorporation of, or any use of, any add-on or modified parts, unsuitable attachments, or the unauthorized alteration of any part.

This warranty does not cover replacement of expendable maintenance items made in connection with required maintenance services after the item's first scheduled replacement as listed in the maintenance section of the product owner's manual, such as: spark plugs and filters.

DISCLAIMER OF CONSEQUENTIAL DAMAGE AND LIMITATION OF IMPLIED WARRANTIES:

American Honda Motor Co., Inc. and Honda Canada Inc. disclaim any responsibility for incidental or consequential damages such as loss of time or the use of the power equipment, or any commercial loss due to the failure of the equipment; and any implied warranties are limited to the duration of this written warranty. This warranty is applicable only where the California, U.S. EPA, or Environment Canada emission control system warranty regulation is in effect.

EMISSION CONTROL SYSTEM WARRANTY PARTS:

SYSTEMS COVERED BY THIS WARRANTY:	PARTS DESCRIPTION:
Fuel Metering	Carburetor assembly, (includes starting enrichment system), Engine temperature sensor, Engine control module, Fuel regulator, Intake manifold
Evaporative	Fuel tank, Fuel cap, Fuel hoses, Vapor hoses, Carbon canister, Canister mounting brackets, Fuel strainer, Fuel cock, Fuel pump, Fuel hose joint, Canister purge hose joint
Exhaust	Catalyst, Exhaust manifold
Air Induction	Air filter housing, Air filter element*
Ignition	Flywheel magneto, Ignition pulse generator, Crankshaft position sensor, Power coil, Ignition coil assembly, Ignition control module, Spark plug cap, Spark plug*
Crankcase Emission Control	Crankcase breather tube, Oil filler cap
Miscellaneous Parts	Tubing, fittings, seals, gaskets, and clamps associated with these listed systems.

Note: This list applies to parts supplied by Honda and does not cover parts supplied by the equipment manufacturer. Please see the original equipment manufacturer's emissions warranty for non-Honda parts.

* Covered up to the first required replacement only. See the MAINTENANCE SCHEDULE on page 5.

NOTES

INTRODUCTION

Nous vous félicitons d'avoir acheté un moteur Honda. Ce manuel a été conçu pour vous aider à tirer le maximum de votre moteur tout en l'utilisant de façon sécuritaire. Il contient tous les renseignements nécessaires et vous être prié de le lire attentivement avant d'utiliser le moteur. En cas de problème, veuillez communiquer avec un concessionnaire Honda agréé.


Toute l'information contenue dans ce manuel était exacte au moment de l'impression. American Honda Motor Co., Inc. se réserve le droit d'apporter des changements à ses produits en tout temps et sans préavis, sans obligation de sa part. Ce manuel ne peut être reproduit, en partie ni en totalité, sans une permission écrite de Honda.

Ce manuel fait partie intégrante du moteur. C'est pourquoi, il doit être conservé à proximité en cas de revente du moteur.

Passer en revue les instructions fournies avec l'équipement alimenté par le moteur pour obtenir davantage de renseignements sur le démarrage du moteur, l'arrêt du moteur, le fonctionnement, les réglages et toutes les instructions d'entretien spéciales.

MESSAGES SUR LA SÉCURITÉ

Votre sécurité et celle des autres est très importante. De l'information concernant la sécurité vous est fournie dans le présent manuel et sur différentes étiquettes apposées sur le moteur. Veuillez les lire attentivement.

Les messages de sécurité vous informe d'un éventuel danger. Chaque message de sécurité est précédé du symbole d'alerte  et de l'un des trois mots suivants : DANGER, AVERTISSEMENT ou ATTENTION.

Ces termes signifient:

 **DANGER**

Vous **METTREZ** votre **VIE EN DANGER** ou serez **GRIÈVEMENT BLESSÉ** si vous n'observez pas les instructions.

 **AVERTISSEMENT**

Vous **RISQUEZ** de **METTRE VOTRE VIE EN DANGER** ou d'être **GRIÈVEMENT BLESSÉ** si vous n'observez pas les instructions.

 **ATTENTION**

Vous **RISQUEZ** d'être **BLESSÉ** si vous n'observez pas les instructions.

Chaque message vous informe du danger, de ce qui pourrait se présenter et vous indique comment éviter ou réduire les risques de blessures.

MESSAGES DE PRÉVENTION DES DOMMAGES

Vous remarquerez que certains renseignements sont précédés de la mention **NOTA**.

Cette indication signifie :

NOTA

Votre moteur ou d'autres biens peuvent être endommagés si vous n'observez pas les instructions.

Ces conseils vous éviteront d'endommager votre moteur et les biens d'autrui, tout en préservant l'environnement.

INFORMATION CONCERNANT LA SÉCURITÉ

- Connaître la fonction de toutes les commandes et savoir comment arrêter le moteur rapidement en cas d'urgence. S'assurer que l'utilisateur dispose de la formation adéquate avant d'utiliser le moteur.
- Les émissions produites par le moteur contiennent du monoxyde de carbone qui est un gaz mortel. Ne pas faire fonctionner le moteur lorsque l'aération n'est pas adéquate et ne jamais faire fonctionner le moteur dans un espace clos.
- Le moteur et le tuyau d'échappement deviennent très chauds pendant le fonctionnement. Garder le moteur à au moins 3 pi des bâtiments et de tout autre équipement pendant le fonctionnement. Conserver le matériel inflammable à bonne distance et ne placer aucun objet sur le moteur pendant son fonctionnement.

HONDA

MANUEL DE L'UTILISATEUR

GC160 • GC190



FRANÇAIS

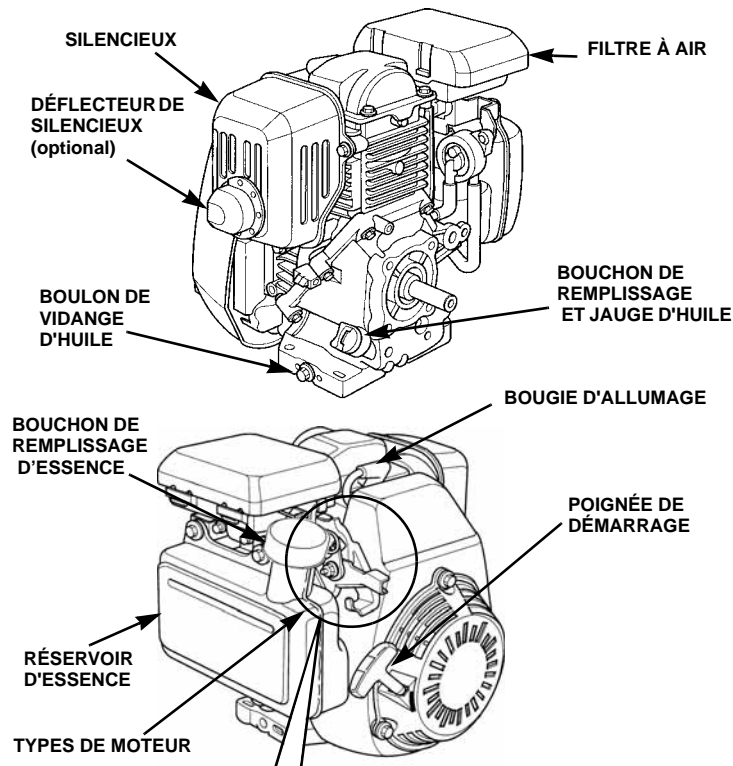
 **AVERTISSEMENT:** 

Les gaz d'échappement du moteur contiennent des produits chimiques reconnus par l'État de la Californie comme pouvant entraîner le cancer, des malformations à la naissance et autres dangers liés à la reproduction.

TABLE DES MATIÈRES

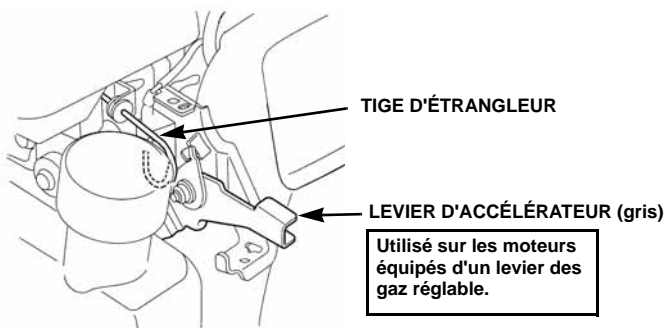
INTRODUCTION.....	1	REMISAGE DE VOTRE MOTEUR ..	7
MESSAGES SUR LA SÉCURITÉ ..	1	TRANSPORT	9
EMPLACEMENT DES COMMANDES ET DES COMPOSANTS.....	2	RÉGLER DES PROBLÈMES IMPRÉ- VUS.....	9
AVANT L'UTILISATION DU MOTEUR	2	INFORMATIONS TECHNIQUES.....	9
FONCTIONNEMENT	2	EMPLACEMENT DU	
MESURES DE SÉCURITÉ		NUMÉRO DE SÉRIE	9
CONCERNANT LE		FONCTIONNEMENT À HAUTE	
FONCTIONNEMENT	2	ALTITUDE	9
TYPE 1: ACCÉLÉRATEUR		INFORMATION SUR LE	
MANUEL/ÉTRANGLEUR		SYSTÈME ANTIPOLLUTION ..	10
MANUEL.....	3	INDICE D'AIR	10
TYPE 2: ACCÉLÉRATEUR FIXE /		SPÉCIFICATIONS	11
LEVIER DE COMMANDE		GUIDE DE RÉFÉRENCE	
D'ALLUMAGE / ÉTRANGLEUR		RAPIDE.....	11
MANUEL.....	3	SCHÉMA DE CÂBLAGE.....	11
TYPE 3: ACCÉLÉRATEUR FIXE/		INFORMATION À L'INTENTION DU	
INTERRUPTEUR D'ARRÊT DU		PROPRIÉTAIRE	12
MOTEUR/ÉTRANGLEUR		PUBLI CATIONS Honda	12
MANUEL.....	4	GARANTIE DU DISTRIBUTEUR12	
SYSTÈME OIL ALERT®.....	4	GARANTIE DU SYSTÈME	
L'ENTRETIEN DE VOTRE MOTEUR	4	ANTIPOLLUTION	13
IMPORTANCE DE		INFORMATION SUR LA	
L'ENTRETIEN	4	GARANTIE À L'INTENTION DU	
ENTRETIEN SÉCURITAIRE ..	4	PROPRIÉTAIRE-	
CONSIGNES DE SÉCURITÉ ..	5	INTERNATIONALE...	
CALENDRIER D'ENTRETIEN ..	5 DERNIÈRE PAGE	
FAIRE LE PLEIN	5		
HUILE-MOTEUR	6		
VÉRIFICATION DU			
NIVEAU D'HUILE	6		
VIDANGE D'HUILE.....	6		
FILTRE À AIR	6		
BOUGIE	7		
PARE-ÉTINCELLES	7		

EMPLACEMENT DES COMMANDES ET DES COMPOSANTS

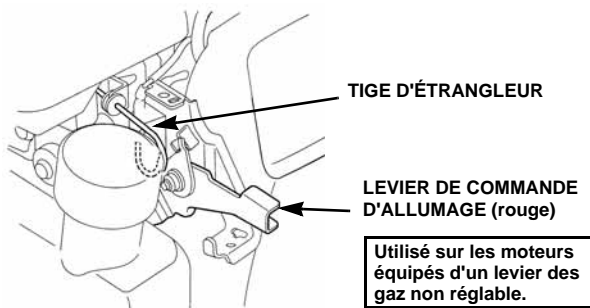


TYPES DE MOTEUR

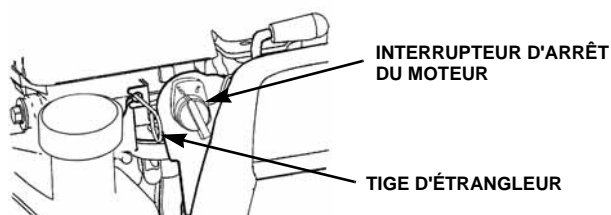
TYPE 1 : ACCÉLÉRATEUR MANUEL / ÉTRANGLEUR MANUEL



TYPE 2 : ACCÉLÉRATEUR FIXE / LEVIER DE COMMANDE D'ALLUMAGE / ÉTRANGLEUR MANUEL



TYPE 3 : ACCÉLÉRATEUR FIXE / INTERRUPTEUR D'ARRÊT DU MOTEUR / ÉTRANGLEUR MANUEL



AVANT L'UTILISATION DU MOTEUR

VOTRE MOTEUR EST-IL PRÊT?

Afin d'assurer votre sécurité et la durée utile de votre moteur, il est important de l'inspecter avant chaque utilisation. Avant d'employer votre moteur, assurez-vous de corriger immédiatement les anomalies décelées ou communiquez avec votre concessionnaire pour faire effectuer les réparations.

⚠ AVERTISSEMENT

L'entretien inadéquat du moteur ou le défaut de réparer le moteur avant son utilisation peut entraîner des défaillances pouvant causer de graves blessures.

Toujours procéder à une inspection du moteur avant chaque utilisation et résoudre tout problème éventuel.

Avant de procéder à l'inspection de votre moteur, assurez-vous qu'il repose sur une surface plane et que le moteur est à l'arrêt (STOP).

Vérifiez toujours les éléments suivants avant de mettre en marche le moteur:

1. Niveau d'essence (voir la page 5).
2. Niveau d'huile (voir la page 6).

Le système Oil Alert® (le cas échéant) permet d'arrêter automatiquement le moteur lorsque le niveau d'huile chute sous la limite sécuritaire. Toutefois, afin d'éviter l'arrêt inattendu du moteur, vérifiez toujours le niveau d'huile avant de mettre le moteur en marche.

3. Filtre à air (voir la page 6).
4. Inspection générale : assurez-vous que le moteur ne présente aucune fuite de liquide et qu'aucune pièce n'est endommagée ni mal serrée.
5. Vérifiez l'équipement fonctionnant au moyen du moteur.

Passez en revue les instructions fournies avec l'équipement fonctionnant au moyen du moteur pour savoir si des précautions ou des procédures doivent être observées avant de mettre le moteur en marche.

FONCTIONNEMENT

MESURES DE SÉCURITÉ CONCERNANT LE FONCTIONNEMENT

Avant d'utiliser le moteur pour la première fois, veuillez passer en revue les sections *INFORMATION SUR LA SÉCURITÉ* à la section 2 et *AVANT L'UTILISATION DU MOTEUR* ci-dessus.

Par mesure de sécurité, ne pas faire fonctionner le moteur à essence dans un endroit clos comme un garage. L'échappement du moteur contient du monoxyde de carbone, un gaz toxique qui peut s'accumuler rapidement dans un endroit clos et causer des blessures ou la mort.

⚠ AVERTISSEMENT

Les gaz d'échappement contiennent du monoxyde de carbone qui peut en s'accumulant dans un local fermé devenir dangereux. L'inhalation de monoxyde de carbone peut être responsable d'une perte de connaissance ou d'un décès.

Ne jamais faire tourner le moteur dans un local fermé ou même partiellement fermé si des personnes sont présentes.

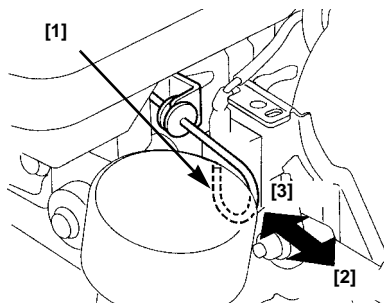
Passez en revue les instructions fournies avec l'équipement fonctionnant avec le moteur pour savoir si des précautions ou des procédures doivent être observées avant de mettre le moteur en marche, avant de l'arrêter ou en cours de fonctionnement.

Ne pas faire fonctionner le moteur sur des pentes dont l'inclinaison est supérieure à 20°.

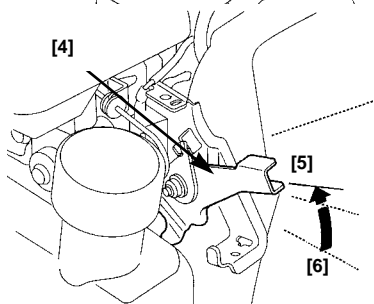
TYPE 1 : ACCÉLÉRATEUR MANUEL/ÉTRANGLEUR MANUEL

Démarrage d'un moteur

1. Tirez sur la tige d'étrangleur [1] et placez-la en position FERMÉE [2] (moteur froid).

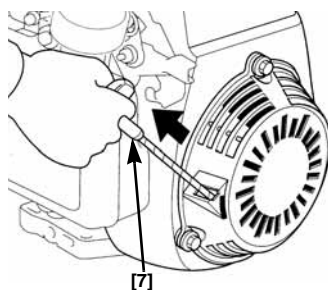


2. Déplacez le levier des gaz [4] (gris) de la position LENTE [6] d'environ 1/3 de la distance en direction de la position RAPIDE [5].



Certains moteurs sont équipés d'un levier des gaz à commande à distance plutôt que d'un levier des gaz monté sur le moteur comme le montre l'illustration.

3. Tirez légèrement sur la poignée de démarrage [7] jusqu'à ce que le câble offre une certaine résistance, puis tirez vigoureusement sur la poignée.



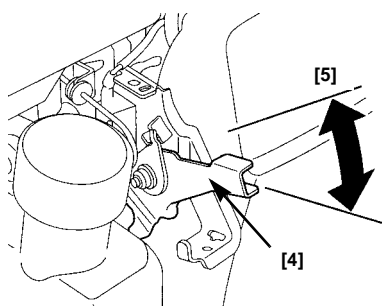
NOTA

Ne pas laisser la poignée de démarrage s'enrouler brusquement dans le support de démarreur. Tenir la poignée pour qu'elle s'enroule lentement afin d'éviter tout dommage.

4. Si la tige d'étrangleur était en position FERMÉE pour mettre le moteur en marche, poussez-la en position OUVÈRTE dès que le moteur se réchauffe.

Réglage du levier des gaz

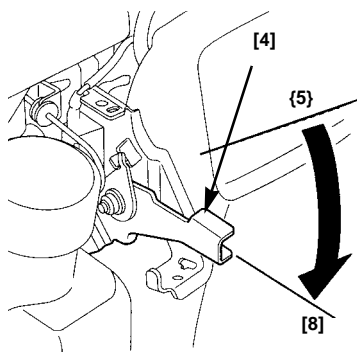
Placez le levier des gaz (gris) [4] au régime désiré. Pour un rendement optimal, il est recommandé de placer le levier en position RAPIDE [5] (ou élevée).



Arrêt du moteur

1. Placez le levier des gaz [4] en position LENTE.

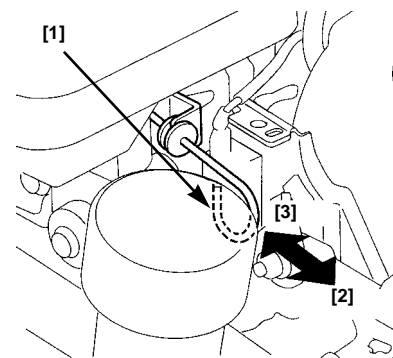
2. Laissez le moteur tourner au ralenti quelques secondes, puis placez le levier des gaz en position D'ARRÊT [8].



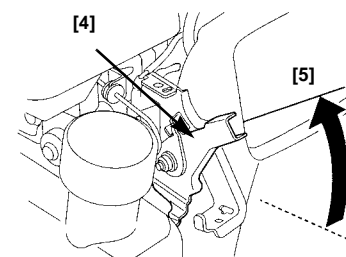
TYPE 2 : ACCÉLÉRATEUR FIXE / LEVIER DE COMMANDE D'ALLUMAGE / ÉTRANGLEUR MANUEL

Démarrage d'un moteur

1. Tirez sur la tige d'étrangleur [1] et placez-la en position FERMÉE [2] (moteur froid).

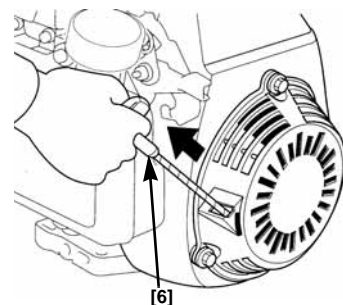


2. Déplacez le levier de commande d'allumage [4] (rouge) en position de marche (ON) [5].



Certains moteurs sont équipés d'un levier des gaz à commande à distance plutôt que d'un levier des gaz monté sur le moteur comme le montre l'illustration.

3. Tirez légèrement sur la poignée de démarrage [6] jusqu'à ce que le câble offre une certaine résistance, puis tirez vigoureusement sur la poignée.



NOTA

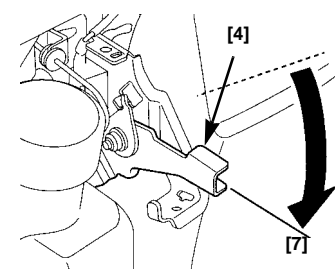
Ne pas laisser la poignée de démarrage s'enrouler brusquement dans le support de démarreur. Tenir la poignée pour qu'elle s'enroule lentement afin d'éviter tout dommage.

4. Si la tige d'étrangleur était en position FERMÉE [2] pour mettre le moteur en marche, poussez-la en position OUVÈRTE dès que le moteur commence à se réchauffer.

5. Le régime du moteur est préréglé sur ce type de moteur.

Arrêt du moteur

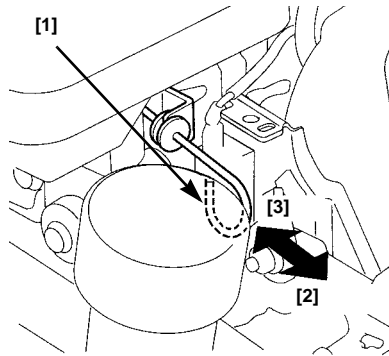
Déplacez le levier de commande d'allumage (rouge) [4] en position D'ARRÊT [7].



TYPE 3 : ACCÉLÉRATEUR FIXE/INTERRUPTEUR D'ARRÊT DU MOTEUR/ÉTRANGLEUR MANUEL

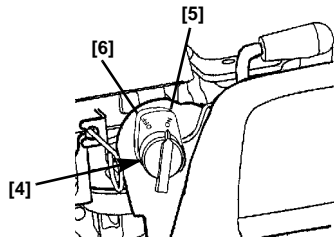
Démarrage d'un moteur

1. Tirez sur la tige d'étrangleur [1] et placez-la en position FERMÉE [2] (moteur froid).

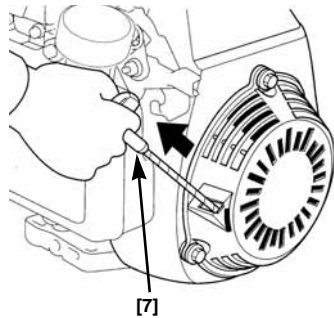


2. Placez l'interrupteur d'arrêt du moteur [4] en position de MARCHE [5].

Utilisé sur les moteurs équipés d'un levier des gaz non réglable.



3. Tirez légèrement sur la poignée de démarrage [7] jusqu'à ce que le câble offre une certaine résistance, puis tirez vigoureusement sur la poignée.



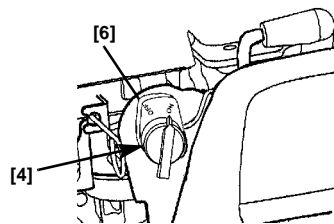
NOTA

Ne pas laisser la poignée de démarrage s'enrouler brusquement dans le support de démarreur. Tenir la poignée pour qu'elle s'enroule lentement afin d'éviter tout dommage.

4. Si la tige d'étrangleur [1] était en position FERMÉE [2] pour mettre le moteur en MARCHE, poussez-la en position OUVVERTE [3] dès que le moteur commence à se réchauffer.
5. Le régime du moteur est pré-réglé sur ce type de moteur.

Arrêt du moteur

Déplacez l'interrupteur d'arrêt du moteur [4] en position D'ARRÊT [6].



SYSTÈME OIL ALERT®

Le système Oil Alert a été conçu pour prévenir les dommages de moteur causés par une quantité insuffisante d'huile dans le carter. Avant que le niveau d'huile dans le carter ne chute sous la limite sécuritaire, le système Oil Alert arrête automatiquement le moteur (le levier des gaz (levier de commande d'allumage) demeure en position de marche).

Si le moteur arrête et ne redémarre pas, vérifiez le niveau d'huile (page 6) avant de procéder à d'autres vérifications.

L'ENTRETIEN DE VOTRE MOTEUR

L'IMPORTANT DE L'ENTRETIEN

L'entretien adéquat de votre moteur est essentiel pour garantir un bon fonctionnement sécuritaire et économique, sans compter qu'il permet de diminuer considérablement la pollution.

⚠ AVERTISSEMENT

L'entretien inadéquat du moteur ou le défaut de réparer le moteur avant son utilisation peut entraîner des défaillances pouvant causer de graves blessures et même mettre votre vie en danger.

Toujours observer les recommandations concernant l'inspection et l'entretien périodique contenues dans le présent manuel de l'utilisateur.

Afin de vous aider à effectuer l'entretien adéquat de votre moteur, les pages qui suivent comprennent un calendrier d'entretien, des procédures d'inspection de routine ainsi que des procédures d'entretien faciles ne requérant que de simples outils à main. Par ailleurs, les services d'entretien plus complexes, ou ceux qui requièrent un outillage spécialisé, devraient être effectués par des professionnels, en l'occurrence par un technicien Honda ou tout technicien qualifié.

Le calendrier d'entretien a été conçu en fonction d'une utilisation normale. Si votre moteur est utilisé de façon inhabituelle, par exemple pour un usage intensif ou à haute température, ou encore dans un environnement humide ou sec, consultez votre concessionnaire afin de connaître les recommandations qui s'appliquent dans votre cas. Rappelez-vous que votre concessionnaire est le mieux qualifié et qu'il dispose de l'équipement approprié pour effectuer l'entretien et la réparation de votre moteur.

Rappelez-vous que votre concessionnaire est le mieux qualifié et qu'il dispose de l'équipement approprié pour effectuer l'entretien et la réparation de votre moteur.

Pour garantir la qualité et la fiabilité de votre moteur, utilisez toujours des pièces neuves d'origine Honda, ou équivalentes, pour effectuer toute réparation et tout remplacement.

L'entretien, le remplacement et la réparation des dispositifs et des systèmes antipollution peuvent être effectués par tout atelier et toute personne qualifiés en utilisant des pièces certifiées conformes aux normes de l'EPA.

ENTRETIEN SÉCURITAIRE

Les principales consignes de sécurité sur l'entretien sont présentées ci-après. Toutefois, il nous est impossible de prévoir tous les incidents possibles pouvant être liés à l'entretien de votre moteur. Vous seul êtes en mesure de savoir si vous pouvez ou non effectuer les différents travaux.

⚠ AVERTISSEMENT

Le non-respect des recommandations d'entretien et des consignes de sécurité peut causer de graves blessures et entraîner la mort.

Toujours observer les procédures et les consignes de sécurité contenues dans le présent manuel de l'utilisateur.

CONSIGNES DE SÉCURITÉ

- S'assurer que le moteur est à l'arrêt avant de procéder à un entretien ou à une réparation afin de réduire les risques de dommages ou de blessures.
 - Le tuyau d'échappement émet du monoxyde de carbone.**
S'assurer de faire fonctionner le moteur dans un endroit bien aéré.
 - Les pièces chaudes peuvent causer des brûlures.**
Laisser le moteur et le tuyau d'échappement refroidir avant d'y toucher.
 - Les pièces mobiles peuvent causer des blessures.**
Ne pas mettre le moteur en marche, à moins que les procédures ne le recommandent.
- Lire les instructions avant l'utilisation et s'assurer de posséder les outils et les qualifications requises.
- Pour réduire les risques d'incendie et d'explosion, procédez avec précaution lors de travaux effectués en présence d'essence. Utilisez uniquement du solvant ininflammable, et non de l'essence, pour nettoyer les pièces. Ne fumez pas, et conservez l'essence à bonne distance des étincelles et des flammes.

CALENDRIER D'ENTRETIEN

ÉLÉMENT	Effectuer l'entretien suivant le mois ou le nombre d'heures de fonctionnement indiqués, selon la première éventualité.	ENTRETIEN RÉGULIER (4)						Page
		À chaque utilisation	1er mois ou tous les 5 heures	Tous les 3 mois ou toutes les 25 heures	Tous les 6 mois ou toutes les 50 heures	Chaque année ou toutes les 100 heures	Tous les 2 ans ou toutes les 250 heures	
Huile	Vérification	○						6
	Remplacement		○		○ (2)			6
Filtre à air	Vérification	○						6
	Nettoyage			○ (1)				
	Remplacement						○	
Bougie	Vérification et réglage					○		7
	Remplacement						○	
Pare-étincelles (optionnel)	Nettoyage					○		7
Ralenti	Vérification et réglage					○(3)		Manuel d'atelier
Réservoir d'essence et filtre	Nettoyage					○(3)		Manuel d'atelier
Jeu de la soupape	Vérification et réglage					○(3)		Manuel d'atelier
Conduit d'essence	Vérification	Tous les deux ans (remplacer au besoin) (3)						Manuel d'atelier
Chambre de combustion	Nettoyage	Toutes les 250 heures (3)						Manuel d'atelier

- Procéder à des entretiens plus fréquents lorsque le moteur fonctionne dans un environnement humide ou poussiéreux.
- Vidanger l'huile toutes les 25 heures de fonctionnement intensif ou dans un environnement où la température ambiante est élevée.
- L'entretien de ces éléments devrait être effectué par un concessionnaire de moteur Honda agréé, à moins que vous ne possédiez la formation et les outils appropriés. Reportez-vous au manuel d'atelier Honda pour connaître les procédures d'entretien.
- Lorsque le moteur est utilisé à des fins commerciales, utilisez un registre des heures de fonctionnement pour déterminer les intervalles d'entretien.

L'inobservation de ce programme d'entretien peut entraîner des problèmes non couverts par la garantie.

FAIRE LE PLEIN

Ce moteur est certifié pour fonctionner avec de l'essence sans plomb ayant un indice d'octane de 86 et plus.

N'utilisez jamais d'essence usée ou contaminée ni de mélange d'huile et d'essence dans le réservoir d'essence. Ne faites jamais le plein à l'intérieur d'un bâtiment là où les vapeurs d'essence pourraient être en contact avec des flammes ou des étincelles.

Vous pouvez utiliser de l'essence sans plomb contenant 10% d'éthanol maximum (E10) ou 5% de méthanol par volume. En outre, le méthanol doit contenir des cosolvants ainsi que des inhibiteurs de corrosion. Si vous utilisez du carburant dont la teneur en éthanol ou méthanol est supérieure aux spécifications stipulées ci-dessus, le démarrage et/ou la performance risquent d'être affectés. En outre, les pièces métalliques, en caoutchouc et en plastique du circuit de carburant pourraient subir des dommages. Les dommages au moteur ou problèmes de performance provenant d'un carburant aux pourcentages d'éthanol ou de méthanol supérieurs à ceux stipulés ci-dessus ne sont pas couverts par la garantie.

Si la machine ne doit pas être utilisée régulièrement, se reporter à la rubrique concernant le carburant du chapitre REMISAGE DE VORTE MOTEUR (page 8) pour plus de détails sur la détérioration du carburant.

⚠ AVERTISSEMENT

L'essence est extrêmement inflammable et explosive. La manipulation de l'essence comporte des risques de brûlures et de blessures très élevés.

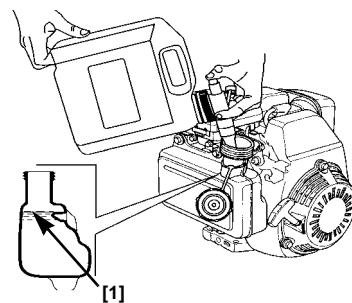
- Arrêter le moteur et se tenir à bonne distance des sources de chaleur, des étincelles et des flammes.
- Toujours manipuler l'essence à l'extérieur.
- Essuyer immédiatement les déversements d'essence.

NOTA

L'essence peut endommager la peinture et certains plastiques. User de prudence pour refaire le plein afin de ne pas provoquer de déversement d'essence. Les dommages causés par les déversements d'essence ne sont pas couverts par la GARANTIE DU DISTRIBUTEUR (voir la page 12).

Faites le plein dans un endroit bien aéré avant de démarrer le moteur. Si le moteur était en service, laissez-le refroidir. Eloignez-vous d'au moins 3 m de toute source de carburant et site de remplissage avant de mettre le moteur en marche.

- Retirez le bouchon de remplissage d'essence.
- Remplissez le réservoir d'essence jusqu'au bas du repère de remplissage maximal du réservoir. Ne pas remplir le réservoir au-delà du repère maximal. Essuyez les déversements d'essence avant de mettre le moteur en marche.

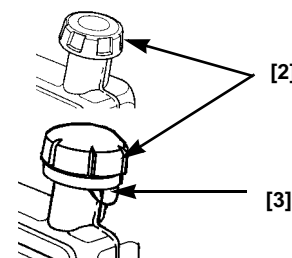


[1] niveau maximal d'essence.

- Une fois que le plein est fait, serrez le capuchon du réservoir d'essence [2].

a. Type non ancré:
Serrez le bouchon de façon sécuritaire.

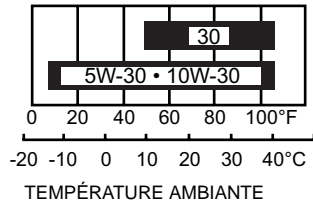
b. Type ancré: [3]
Serrez jusqu'au dé clic du bouchon.



HUILE-MOTEUR

Huile recommandée

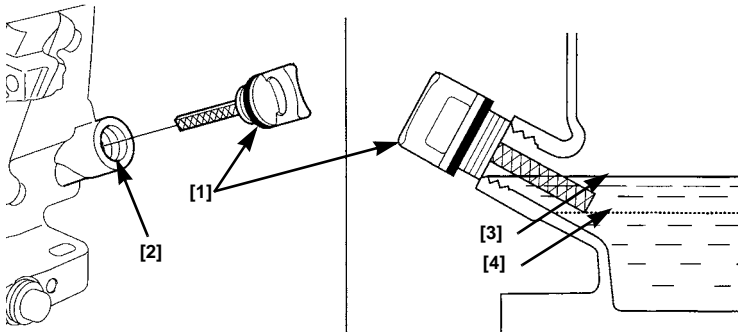
Utilisez une huile pour moteur à 4 temps qui répond aux normes API Service de catégories SJ ou équivalente. Vérifiez toujours l'étiquette API sur le contenant d'huile afin de vous assurer que les lettres SJ ou l'équivalent y sont inscrites.



L'huile SAE 10W30 est recommandée pour un usage général. D'autres types d'huile figurant au tableau ci-contre et ayant une viscosité différente peuvent être utilisés lorsque les températures moyennes dans votre région se situent à l'intérieur des gammes illustrées.

Vérification du niveau d'huile

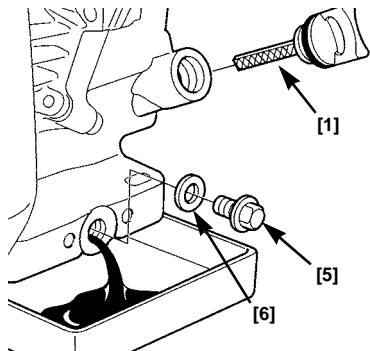
1. Vérifiez le niveau d'huile lorsque le moteur est arrêté et en vous assurant qu'il repose sur une surface plane.
2. Retirez le bouchon de remplissage et la jauge [1], puis essuyez la jauge.
3. Insérez le bouchon de remplissage et la jauge [1] dans le goulot de remplissage sans les visser et retirez-les pour faire la lecture du niveau d'huile.
4. Si le niveau d'huile est inférieur au repère de remplissage minimal [4] de la jauge, et faites l'appoint jusqu'au repère de remplissage maximal [3] (bord inférieur [2] de l'orifice de remplissage). Ne pas trop remplir.
5. Remettez le bouchon de remplissage et la jauge [1] en place.



Vidange d'huile

Vidangez l'huile lorsque le moteur est encore chaud afin de permettre une vidange rapide et complète.

1. Placez un contenant approprié sous le bouchon (boulon) de vidange afin de récupérer l'huile usée.
2. Retirez le bouchon de remplissage et la jauge [1] ainsi que le bouchon de vidange [5].
3. Laissez l'huile se vidanger entièrement, puis remettez le bouchon de vidange [5] et la rondelle [6]. serrez le bouchon de vidange fermement.



La mise au rebut inadéquate de l'huile peut causer des torts à l'environnement. Si vous vidangez vous-même l'huile, veillez à ce que l'huile usée soit mise au rebut de façon adéquate. Mettez-la dans un contenant fermé que vous apporterez dans un centre de recyclage. Ne jetez pas le contenant aux ordures, ne l'enterrez pas et n'en déversez pas le contenu dans les égouts.

4. En vous assurant que le moteur repose sur une surface plane, remplissez le réservoir d'huile jusqu'au repère de remplissage maximal (bord inférieur de l'orifice de remplissage) en utilisant de l'huile recommandée (voir la 6).

NOTA

Le fonctionnement d'un moteur présentant un faible niveau d'huile peut causer des dommages.

5. Vissez le bouchon de remplissage et la jauge [1] fermement.

FILTRE À AIR

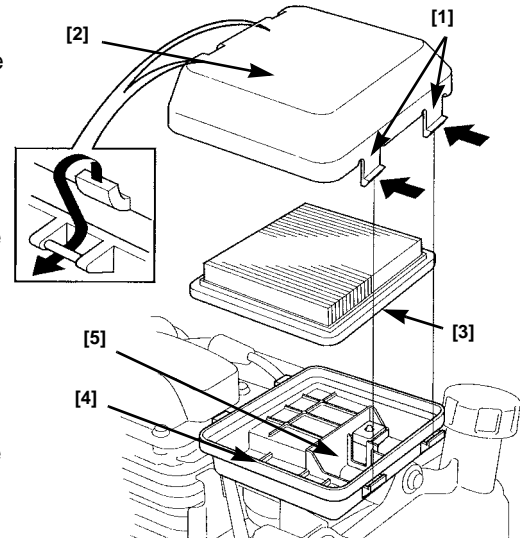
Un filtre à air colmaté entraîne une réduction du débit d'air vers le carburateur, réduisant ainsi le rendement du moteur. Inspectez le filtre [6] à chaque utilisation du moteur. Si le moteur est utilisé dans un environnement poussiéreux, nettoyez le filtre plus souvent.

NOTA

Le fonctionnement du moteur sans filtre à air, ou avec un filtre endommagé, laisse la saleté entrer dans le moteur, entraînant ainsi l'usure prématurée du moteur. Ce type de dommage n'est pas couvert par la GARANTIE DU DISTRIBUTEUR (voir la page 12).

Inspection

1. Comprimez les ergots de blocage [1] situés sur la partie supérieure du couvercle de filtre à air [2] et enlevez le couvercle de filtre à air. Assurez-vous que le filtre [3] est propre et qu'il est en bon état.
2. Remettez le filtre et le couvercle de filtre à air en place.



Nettoyage

1. Tapez le filtre à plusieurs reprises sur une surface dure afin d'en évacuer la poussière, ou nettoyez-le avec de l'air comprimé sans excéder 207 kPa à partir de la surface propre orientée vers le moteur. Ne tentez pas de déloger la poussière avec une brosse. Cette pratique forcerait la poussière à pénétrer dans les fibres du filtre.
2. Enlevez la poussière présente à l'intérieur du boîtier de filtre [4] et du couvercle de filtre au moyen d'un chiffon humide. Veillez à ce que la poussière n'entre pas dans le conduit d'air [5] menant au carburateur.

BOUGIE

Bougie recommandée : NGK BPR6ES

La bougie recommandée est spécifiée pour les gammes de température dans des conditions normales d'utilisation du moteur.

NOTA

L'utilisation de bougies ne correspondant pas aux spécifications peut causer des dommages.

Pour un meilleur rendement, l'écartement des électrodes de la bougie doit être adéquat et la bougie doit être exempte de résidus.

1. Débranchez le capuchon de bougie et enlevez la saleté à proximité du siège de la bougie.

2. Au moyen d'une clé pour bougie [1] de grosseur appropriée, retirez la bougie.

3. Inspectez la bougie. Remplacez la bougie si elle présente des dommages, si elle est encrassée, si la rondelle est endommagée ou si l'électrode est usée.

4. Mesurez l'écartement de la bougie à l'aide d'une jauge d'épaisseur. L'écartement doit se situer entre 0,70 à 0,80 mm. Au besoin, corrigez l'écartement en repliant l'électrode latérale.

5. Installez une bougie neuve à la main afin d'éviter de fausser les filets.

6. Une fois la bougie installée à la main, serrez-la solidement au moyen d'une clé pour bougie afin de bien compresser la rondelle.

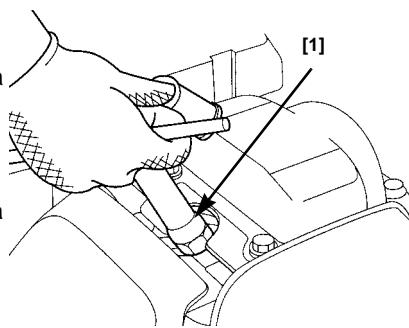
7. Pour l'installation d'une bougie neuve, serrez la bougie d'un demi-tour une fois qu'elle a été insérée à la main, ceci afin de compresser la rondelle.

8. Si vous réinstallez une bougie déjà utilisée, serrez-la de 1/8 à 1/4 de tour pour compresser la rondelle.

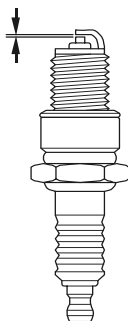
NOTA

Une bougie mal vissée peut surchauffer et causer des dommages au moteur. Une bougie trop serrée peut endommager les filets de la culasse.

9. Branchez le capuchon de bougie.



0,70 ~ 0,80 mm



PARE-ÉTINCELLES (OPTIONNEL)

Selon le type de moteur, le pare-étincelles peut être une pièce standard ou en option. Dans certaines zones, il n'est pas autorisé d'utiliser un moteur sans pare-étincelles. Se renseigner sur la réglementation locale. Un pare-étincelles est en vente chez les concessionnaires Honda agréés.

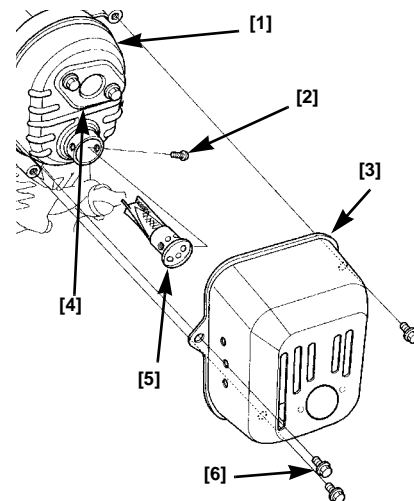
Pour assurer son bon fonctionnement, le pare-étincelles doit faire l'objet d'un entretien toutes les 100 heures.

Après la marche du moteur, le silencieux est chaud. Le laisser refroidir avant d'intervenir sur le pare-étincelles.[5].

Démontage du pare-étincelles

1. Enlevez les trois boulons de 6 mm [6] du boîtier de silencieux [3].

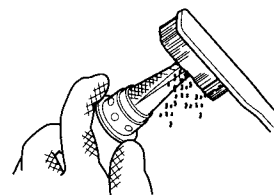
2. Dévissez les vis spéciales [2] du pare-étincelles et dégagez le pare-étincelles du silencieux [1].



Nettoyage et inspection du pare-étincelles

1. Au moyen d'une brosse métallique, nettoyez les dépôts de calamine se trouvant sur la grille du pare-étincelles. Remplacez le pare-étincelles [5] s'il présente des dommages ou s'il est usé.

2. Installez le pare-étincelles [5] dans l'ordre inverse du démontage.



REMISAGE DE VOTRE MOTEUR

Les préparatifs de remisage sont essentiels afin d'assurer le bon fonctionnement de votre moteur et pour lui conserver son apparence. Les étapes qui suivent vous permettront de maintenir l'aspect d'origine de votre moteur en évitant que la rouille et la corrosion ne s'y attaquent. De plus, le moteur sera plus facile à démarrer la saison suivante.

NETTOYAGE

Si le moteur vient de fonctionner, laissez-le refroidir au moins 30 minutes avant de débuter le nettoyage. Nettoyez toutes les surfaces extérieures, réparez les endroits où la peinture est abîmée et appliquez une mince couche d'huile aux endroits susceptibles de rouiller.

NOTA

L'utilisation d'un boyau d'arrosage ou d'un système de nettoyage sous pression peut entraîner la pénétration d'eau dans le filtre à air et l'ouverture du silencieux. L'eau présente dans le filtre à air ou le silencieux peut être acheminée vers le cylindre de moteur et causer des dommages.

NOTA

Selon la région où la machine est utilisée, la formule du carburant peut se détériorer et provoquer une oxydation rapide. La détérioration du carburant et l'oxydation peuvent se produire au bout de 30 jours et peuvent endommager le carburateur et/ou le circuit d'alimentation en carburant. Se renseigner auprès de votre concessionnaire chargé de l'entretien pour obtenir les recommandations locales d'entreposage.

L'essence s'oxyde et se dégrade lorsque le moteur est remisé. L'essence usée cause souvent des démarrages difficiles et elle laisse des dépôts collants qui entraînent le colmatage des conduits d'essence. Si l'essence contenue dans votre moteur s'est détériorée pendant le remisage, il pourra être nécessaire de réparer ou de remplacer le carburateur et d'autres composants du système d'alimentation.

Le période au cours de laquelle on peut laisser de l'essence dans le réservoir et le carburateur sans affecter le bon fonctionnement du moteur dépend de nombreux facteurs comme le mélange d'essence, la température de remisage et le niveau d'essence dans le réservoir. L'air contenu dans un réservoir partiellement rempli contribue à la dégradation de l'essence. Une très haute température de remisage accélère le processus de dégradation de l'essence. Ce type de problème survient quelques mois après le remisage et même plus tôt si l'essence est de qualité inférieure.

Les dommages du système d'alimentation en essence et les problèmes liés au rendement du moteur découlant d'un remisage inadéquat ne sont pas couverts par la **GARANTIE DU DISTRIBUTEUR** (voir la page 12).

Vous pouvez prolonger la durée utile de l'essence pendant le remisage en y ajoutant un additif conçu à cet effet ou éviter sa dégradation en vidangeant le réservoir d'essence et le carburateur.

AJOUT D'UN ADDITIF POUR PROLONGER LA DURÉE UTILE DE L'ESSENCE PENDANT LE REMISAGE

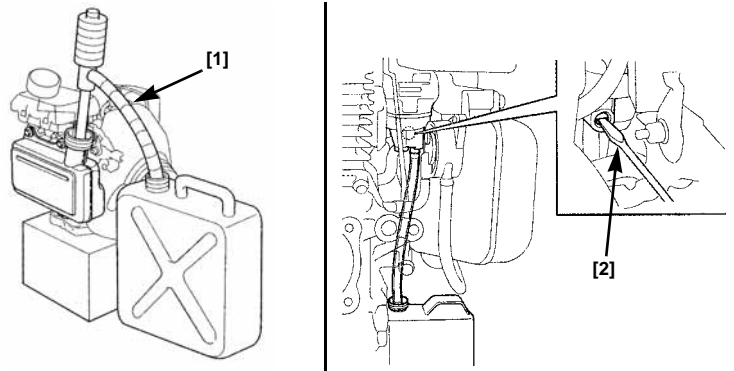
Avant d'ajouter un additif, remplissez le réservoir avec de l'essence propre. Si vous ne le remplissez que partiellement, l'air présent dans le réservoir contribuera à la dégradation de l'essence. Si vous conservez un bidon d'essence pour faire le plein, assurez-vous qu'il contient de l'essence propre.

1. Ajoutez l'additif pour essence en suivant les instructions du fabricant.
2. Après l'ajout d'additif, faites tourner le moteur à l'extérieur pendant environ 10 minutes afin de vous assurer que l'essence avec additif se rende au carburateur, remplaçant ainsi l'essence sans additif.
3. Arrêtez le moteur.

⚠ AVERTISSEMENT

L'essence est extrêmement inflammable et explosive. La manipulation de l'essence comporte des risques de brûlures et de blessures très élevés.

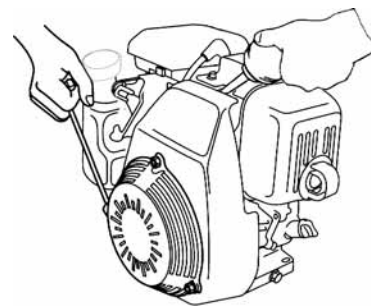
- Se tenir à bonne distance des sources de chaleur, des étincelles et des flammes.
- Toujours manipuler l'essence à l'extérieur.
- Essuyer immédiatement les déversements d'essence.



1. Utilisez une pompe à siphon [1] (disponible dans le commerce) et pompez l'essence contenue dans le réservoir dans un contenant approprié.
2. Placez un contenant approprié sous le carburateur et utilisez un entonnoir afin de prévenir les éclaboussures d'essence.
3. Desserrez la vis de vidange [2] et vidangez le contenu du carburateur dans un contenant approprié. Une fois la vidange terminée, serrez la vis de vidange.

HUILE-MOTEUR

1. Procédez à la vidange d'huile (page 6).
2. Retirez la bougie (page 7).
3. Versez 1 - 2 cuillères à café (5 à 10 cm³) d'huile propre dans le cylindre.
4. Tirez sur le câble de démarrage en douceur à plusieurs reprises afin de faire circuler l'huile.
5. Réinstallez la bougie.



MESURES PRÉVENTIVES CONCERNANT LE REMISAGE

Si vous avez l'intention de remisage votre moteur alors que le réservoir et le carburateur contiennent de l'essence, il est important de prévenir les incidents pouvant être causés par les vapeurs d'essence. Dans ce sens, vous devez choisir un lieu de remisage bien aéré où le moteur sera à bonne distance de tout appareil fonctionnant au moyen d'un brûleur comme une chaudière, un chauffe-eau ou une sècheuse. Évitez également tout endroit où des appareils à moteur électrique générateur d'étincelles ou des outils mécaniques sont en opération.

Autant que possible, évitez de remisage votre moteur dans un endroit présentant un taux d'humidité élevé afin de prévenir la rouille et la corrosion.

Placez le moteur sur une surface plane pour éviter les fuites d'essence et d'huile.

Une fois que le moteur et le tuyau d'échappement sont refroidis, couvrez le moteur afin de le protéger de la poussière.

Si le moteur et le tuyau d'échappement sont chauds, le matériel utilisé pour couvrir le moteur pourrait s'enflammer ou fondre. N'utilisez pas de housse en plastique pour recouvrir votre moteur, car un matériau non poreux emprisonnera l'humidité et entraînera la rouille et la corrosion du moteur.

APRÈS LE REMISAGE

Inspectez votre moteur comme l'indique la section **AVANT L'UTILISATION DE VOTRE MOTEUR** (voir la page 2).

Si l'essence a été entièrement vidangée au moment du remisage, remplissez le réservoir avec de l'essence propre. Si vous conservez un bidon d'essence pour faire le plein, assurez-vous qu'il contient de l'essence propre. L'essence s'oxyde et se dégrade lorsque le moteur est remisé, provoquant ainsi des démarrages difficiles.

Si le cylindre a été enduit d'huile avant le remisage, il est possible que le moteur libère une fumée bleuâtre au premier démarrage. Cette situation est tout à fait normale.

TRANSPORT

Assurez-vous que le moteur est sur une surface plane pendant le transport afin de réduire les risques de fuite.

Pour les procédures à suivre lors du transport, référez-vous aux instructions fournies avec le matériel fonctionnant grâce au moteur

RÉGLER DES PROBLÈMES IMPRÉVUS

LE MOTEUR NE DÉMARRE PAS

CAUSE POSSIBLE	CORRECTIF
Étrangleur ouvert.	Placez l'étrangleur en position FERMÉE à moins que le moteur ne soit chaud.
Interrupteur d'allumage en position d'arrêt (OFF).	<ul style="list-style-type: none"> Placez le levier des gaz en position LENTE ou RAPIDE (p. 3). Placez l'interrupteur d'allumage en position de marche (ON) (p. 3). Placez l'interrupteur d'arrêt du moteur en position de marche (ON) (p. 4).
Niveau d'huile bas (modèles avec système Oil Alert).	Remplissez avec de l'huile appropriée (p.6).
Panne sèche.	Faites le plein.
Essence de mauvaise qualité : moteur remisé sans traitement ni vidange d'essence ou plein d'essence inadéquate.	Vidangez le réservoir d'essence et le carburateur (p. 8). Faites le plein d'essence propre.
Bougie endommagée, encrassée ou écartement inadéquat.	Remplacez la bougie (p. 7).
Bougie noyée (essence) (moteur noyé).	Asséchez et réinstallez la bougie. Lancez le moteur en plaçant le levier des gaz en position RAPIDE (étrangleur en position OUVERTE).
Filtre à essence colmaté, mauvais fonctionnement du carburateur, allumage défaillant, soupapes colmatées, etc.	Confiez votre moteur à un concessionnaire Honda agréé ou consultez le manuel d'atelier.

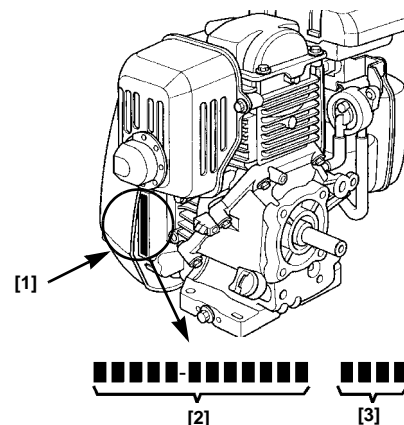
LE RENDEMENT DU MOTEUR EST MÉDIocre

CAUSE POSSIBLE	CORRECTIF
Filtre colmaté.	Nettoyez ou remplacez le filtre (p. 6).
Essence de mauvaise qualité : moteur remisé sans traitement ni vidange d'essence ou plein d'essence inadéquate.	Vidangez le réservoir d'essence et le carburateur (p. 8). Faites le plein d'essence propre.
Filtre à essence colmaté, mauvais fonctionnement du carburateur, allumage défaillant, soupapes colmatées, etc.	Confiez votre moteur à un concessionnaire Honda agréé ou consultez le manuel d'atelier.

INFORMATIONS TECHNIQUES

EMPLACEMENT DU NUMÉRO DE SÉRIE [1]

Inscrivez le NUMÉRO DE SÉRIE [2] à l'endroit prévu ci-dessous. Ce numéro pourrait vous être nécessaire pour commander des pièces ou obtenir de l'information technique ou portant sur la garantie.



Numéro de série [2] du moteur : _____ - _____

Type [3] de moteur : _____

La date d'achat: _____

Étiquette sur le brouillage radioélectrique (Canada)

Ce moteur est conforme aux normes de brouillage radioélectrique du Canada, NMB-002.

THIS SPARK IGNITION SYSTEM COMPLIES WITH CANADIAN ICES-002.
CE SYSTÈME D'ALLUMAGE PAR ÉTINCELLE EST CONFORME À LA NORME NMB-002 DU CANADA.

MODIFICATION DU CARBURATEUR EN CAS D'UTILISATION À HAUTE ALTITUDE

Le mélange air-carburant standard du carburateur est trop riche pour le fonctionnement à haute altitude. Le rendement du moteur serait diminué et la consommation d'essence augmenterait. De plus, un mélange riche encrasse la bougie et provoque des démarrages difficiles. Le fonctionnement du moteur à une altitude autre que celle pour laquelle il est destiné entraînera, à long terme, une augmentation des émissions.

Le rendement du moteur à haute altitude peut être amélioré en effectuant certaines modifications au carburateur. Si votre moteur est constamment utilisé à une altitude de plus de 1 500 mètres, voyez votre concessionnaire de moteur pour faire modifier le carburateur. Ce moteur, s'il fonctionne à haute altitude et que son carburateur a été modifié, sera conforme aux normes sur les émissions pendant sa durée utile.

Même en modifiant le carburateur, la puissance du moteur diminuera d'environ 3,5 % à chaque 300 mètres d'altitude. L'influence de l'altitude sur la puissance du moteur sera d'autant plus grande si le carburateur n'a pas été modifié.

NOTA

Lorsque le carburateur aura été modifié pour fonctionner à haute altitude, le mélange air-carburant sera trop pauvre pour fonctionner à basse altitude. Le fonctionnement à moins de 1 500 mètres avec un carburateur modifié peut provoquer une surchauffe et causer de graves dommages au moteur. Pour l'utilisation du moteur à basse altitude, voyez votre concessionnaire de moteur pour qu'il règle votre carburateur suivant les spécifications d'origine.

INFORMATION SUR LE SYSTÈME ANTIPOLLUTION

Sources des émissions

Le processus de combustion produit du monoxyde de carbone, des oxydes d'azote et des hydrocarbures. Le contrôle des hydrocarbures et des oxydes d'azote est très important parce que, dans certaines conditions, ils réagissent pour former un brouillard photochimique lorsqu'ils sont soumis à la lumière du soleil. Le monoxyde de carbone ne réagit pas de la même façon, mais il est très toxique.

Honda utilise des proportions air/essence appropriées ainsi que d'autres systèmes antipollution afin de réduire les émissions de monoxyde de carbone, d'oxydes d'azote et d'hydrocarbures. De plus, les systèmes d'alimentation de Honda utilisent des composants et des technologies anti-pollution visant à réduire les émissions par évaporation.

Lois sur l'assainissement de l'air des États-Unis et de la Californie

La réglementation de l'EPA et de l'état de la Californie exige que tous les fabricants fournissent des instructions écrites expliquant le fonctionnement et l'entretien des systèmes antipollution.

Les instructions et procédures suivantes doivent être observées afin d'assurer la conformité de votre moteur Honda avec les normes sur les émissions en vigueur.

Modification et altération

La modification ou l'altération du système antipollution peut entraîner une augmentation des émissions au-delà des limites permises. En vertu de ces lois, la modification est définie comme suit :

- Dépose ou altération de toute pièce de la tubulure d'admission, du système d'alimentation en essence ou du système d'échappement.
- Altération ou modification de la tringlerie du régulateur ou du mécanisme de réglage de la vitesse entraînant le fonctionnement du moteur au-delà des paramètres de conception.

Problèmes pouvant avoir des effets sur les émissions

Si votre moteur présente l'un des symptômes suivants, faites inspecter ou réparer votre moteur par votre concessionnaire.

- Démarrage difficile et calage du moteur après le démarrage.
- Ralenti difficile.
- Raté d'allumage ou retour de flamme (backfire) sous charge.
- Postcombustion (backfire).
- Fumée d'échappement ou consommation élevée d'essence.

Pièces de remplacement

Les systèmes antipollution de votre moteur Honda ont été conçus et fabriqués pour répondre aux normes sur les émissions de l'EPA et de l'état de la Californie. Nous vous recommandons d'utiliser des pièces Honda d'origine pour tout entretien. Ces pièces de remplacement d'origine sont fabriquées suivant les mêmes normes que les pièces d'origine, vous pouvez ainsi vous fier à leur rendement. L'utilisation de pièces de remplacement autres que des pièces d'origine peut affecter le rendement de votre système antipollution.

Il incombe aux fabricants de pièces de rechange de s'assurer que les pièces n'entraîneront pas une diminution du rendement en matière de contrôle des émissions. Le fabricant ou l'atelier de remise à neuf de ces pièces doivent certifier que l'utilisation de ces pièces n'entraînera pas la non-conformité du moteur en ce qui a trait aux normes sur les émissions.

Entretien

Observez le calendrier d'entretien de la page 5. Rappelez-vous que le calendrier a été conçu suivant l'utilisation du moteur aux fins prescrites. Une utilisation prolongée sous charge ou un fonctionnement à haute température, ou l'utilisation du moteur dans des milieux très humides ou secs, exigera davantage d'entretien.

Indice d'air

Une étiquette ou une étiquette volante sur l'indice d'air est apposée sur les moteurs étant certifiés pour une période de conformité donnée en matière d'émissions suivant les normes du California Air Resource Board.

Le diagramme à barres a été conçu afin que nos clients puissent comparer le rendement en matière d'émissions des moteurs disponibles. Un indice d'air faible indique un faible taux de pollution.

La description de durabilité a été conçue pour vous indiquer le temps de conformité de votre moteur aux normes sur les émissions. Le terme descriptif indique la durée utile du système antipollution de votre moteur.

Terme descriptif	Temps de conformité
Modéré	50 heures (0 - 80 cm ³ incluse) 125 heures (supérieur à 80 cm ³ incluse)
Intermédiaire	125 heures (0 - 80 cm ³) 250 heures (supérieur à 80 cm ³ incluse)
Prolongé	300 heure (0 - 80 cm ³ incluse) 500 heures (supérieur à 80 cm ³) 1000 heures (250 cm ³ et supérieur)

SPÉCIFICATIONS

GC160

Longueur x largeur x hauteur	337 x 369 x 331 mm
Poids à vide	11,5 kg
Type de moteur	4 temps, un cylindre, arbres à cames
Cylindrée [alésage x course]	160 cm ³ [64 x 50 mm]
Puissance net * (conformément à SAE J1349)	3,4 kW, 4,6 PS à 3 600 tr/min
Couple maximal net * (conformément à SAE J1349)	9,4 Nom, 0,96 kg•m à 2 500 tr/min
Capacité en huile-moteur	0,58 ℓ
Capacité du réservoir d'essence	1,8 ℓ
Consommation d'essence	1,5 ℓ/h
Système de refroidissement	Air forcé
Allumage	Électromagnétique
Rotation prise de mouvement	Antihoraire

GC190

Longueur x largeur x hauteur	345 x 369 x 331 mm
Poids à vide	13,2 kg
Type de moteur	4 temps, un cylindre, arbres à cames
Cylindrée [alésage x course]	187 cm ³ [69 x 50 mm]
Puissance net * (conformément à SAE J1349)	3,9 kW, 5,3 PS à 3 600 tr/min
Couple maximal net * (conformément à SAE J1349)	11,2 Nom, 1,14 kg•m à 2 500 tr/min
Capacité en huile-moteur	0,58 ℓ
Capacité du réservoir d'essence	1,8 ℓ
Consommation d'essence	1,6 ℓ/h
Système de refroidissement	Air forcé
Allumage	Électromagnétique
Rotation prise de mouvement	Antihoraire

* La puissance nominale du moteur indiquée dans ce document représente la puissance nette testée sur un moteur fabriqué en série pour ce modèle et mesurée à 3600 T/M (puissance net) à 2500 (couple maximal net), en conformité avec les normes SAE J1349. Les valeurs des moteurs fabriqués en série peuvent varier. La puissance du moteur installé dans la machine finale variera en fonction de nombreux facteurs tels la vitesse de fonctionnement du moteur en marche, les conditions environnementales, l'entretien et d'autres variables.

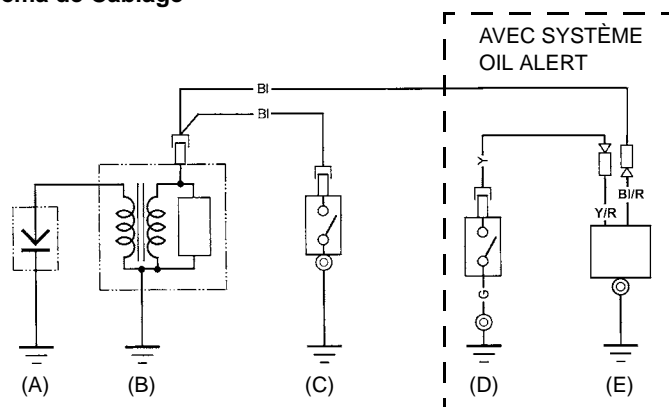
Spécifications de mise au point

ÉLÉMENT	SPÉCIFICATION	ENTRETIEN
Écartement de bougie	0,7 ~ 0,8 mm	Consulter la page 7
Jeu de soupape (froid)	INT. : 0,15 ± 0,04 mm EXT. : 0,20 ± 0,04 mm	Voyez votre concessionnaire Honda
Autres spécifications	Aucun autre réglage nécessaire.	

Guide de référence rapide

Essence	Type	Essence sans plomb d'un indice d'octane de 86 ou plus (page 5).
Huile-moteur	Type	10W-30, API SJ, pour usage général. Consulter la page 6.
Carburateur	Ralenti	1 400 ± 150 tr/min
Bougie	Type	BPR6ES (NGK)
Entretien	Avant chaque utilisation	Vérifier le niveau d'huile-moteur. Consulter la page 6. Vérifier le filtre à air. Consulter la page 6.
	Premières 5 heures	Vidanger l'huile-moteur. Consulter la page 6.
	Subséquentes	Consulter le calendrier d'entretien de la page 5.

Schéma de Câblage



[A] BOUGIE

[B] BOBINE D'ALLUMAGE

[C] INTERRUPTEUR D'ALLUMAGE (position normale ouverte)

[D] INTERRUPTEUR DE NIVEAU D'HUILE (position normale ouverte)

[E] UNITÉ OIL ALERT

MOTEUR	POSITION DE L'INTERRUPTEUR
MARCHE	OUVERT
ARRÊT	FERMÉ

NIVEAU D'HUILE	POSITION DE L'INTERRUPTEUR	MOTEUR
NORMAL	OUVERT	MARCHE
BAS	FERMÉ	ARRÊT

BI	Noir	Br	Brun
Y	Jaune	O	Orange
Bu	Bleu	Lb	Bleu pâle
G	Vert	Lg	Vert pâle
R	Rouge	P	Rose
W	Blanc	Gr	Gris

INFORMATION À L'INTENTION DU PROPRIÉTAIRE

Information: Distributeur/Concessionnaires Canada:

Téléphone sans frais 1 888 946-6329

ou visitez notre siteweb: www.honda.ca

Information de service pour le client

Le personnel des concessions de moteur Honda possède une formation professionnelle. Il devrait être en mesure de répondre à toutes vos questions. Si vous êtes aux prises avec un problème que votre concessionnaire ne peut résoudre, parlez-en à la direction de la concession. Le directeur du service après-vente et le directeur général sont en mesure de vous aider. La plupart des problèmes se règlent ainsi simplement.

Toutefois, si vous n'êtes pas satisfait de la décision prise par la direction de la concession, communiquez avec le service à la clientèle de Honda Canada. Vous pouvez nous joindre par téléphone ou par télécopieur :

Honda Canada, Inc.

Département de Relations avec la clientèle

Veuillez visiter www.honda.ca pour l'information de contact.

Téléphone sans frais : 1 888 946-6329

Télécopieur sans frais : 1 877 939-0909

Lorsque vous nous écrivez ou nous appelez, veuillez nous fournir les renseignements suivants :

- Nom du fabricant et numéro de modèle de l'équipement sur lequel est monté le moteur
- Numéros de modèle et de série (page 9)
- Le nom du concessionnaire qui vous a vendu le moteur
- Le nom et l'adresse du concessionnaire qui effectue l'entretien de votre moteur
- La date d'achat
- Vos nom, adresse et numéro de téléphone
- Une description détaillée du problème

PUBLICATIONS Honda

Deux autres documents sont disponibles auprès de votre concessionnaire Honda. Le *Manuel d'atelier* couvre l'ensemble des procédures d'entretien et de réparation. Il est destiné aux techniciens expérimentés. Il existe également un *Catalogue des pièces détachées* qui offre des listes complètes et illustrées de pièces.

GARANTIE DU DISTRIBUTEUR

Honda Canada Inc., pour et au nom de Honda Motor Co. Ltd., Tokyo, Japon, offre la garantie suivante sur chaque moteur à toutes fins neuf fabriqué par Honda Motor Co. Ltd., Japon, distribué au Canada par Honda Canada Inc., et vendu en tant que pièce d'origine d'un équipement lorsqu'un tel équipement est fabriqué au Canada. Aux fins des présentes, "Honda" signifie Honda Canada Inc. etc/ou Honda Motor Co. Ltd., selon le contexte.

Honda garantit que chaque moteur à toutes fins neuf Honda est exempt de défaut de fabrication et de vice de main-d'oeuvre dans des conditions normales d'utilisation et d'entretien, pendant la période garantie pertinente énoncée ci-dessous. Si un moteur à toutes fins Honda s'avère défectueux avant l'échéance de la période de garantie, Honda réparera ou remplacera les pièces nécessaires par des pièces Honda neuves ou leur équivalent, sans frais de la part du consommateur, pièces et main-d'oeuvre comprises (à l'exception des frais de main-d'oeuvre relatives à un accessoire), sous réserve que de telles déficiences soient attribuées par Honda à des défauts de fabrication ou à des vices de main-d'oeuvre.

Période de garantie

La couverture de la garantie entre en vigueur à la date de vente originale ou lorsque l'unité est mise en service en tant que modèle de démonstration.

MODÈLE	UTILISATION NON-COMMERCIALE	UTILISATION COMMERCIALE	LOCATION	CONCESSION
GC Moteur	24 mois	3 mois	3 mois	AUCUNE

NOTA : Utilisation par une concession se rapporte à go kart, etc.

Cette garantie s'applique:

- à tout moteur à toutes fins Honda acheté au Canada d'un concessionnaire autorisé Honda, enregistré au moment de l'achat sur un formulaire fourni par Honda à cet effet, dont le service de montage et de préparation avant livraison a été fait par un concessionnaire Honda et qui est normalement utilisé au Canada ;
- à toute pièce installée à l'usine (à l'exception des pièces sujettes à un entretien régulier dont il est mentionné dans la section intitulée «CETTE GARANTIE NE S'APPLIQUE PAS», et ;
- à tout produit mécanique sur lequel les services d'entretien périodiques ont été effectués, tel que prescrit dans le Manuel du propriétaire.

Cette garantie ne s'applique pas:

- aux réparations requises suite aux collisions, accidents, chocs de tout objet, course, usage abusif ou manque d'entretien ;
- aux réparations rendues nécessaires parce que l'installation ou la réparation des dispositifs, pièces ou accessoires ont été effectuées par une personne autre qu'un concessionnaire autorisé Honda ;
- aux réparations rendues nécessaires par l'utilisation de pièces non fournies par Honda et dans le cas où ces pièces sont responsables de la défaillance mécanique ou de la défectuosité ;
- aux produits mécaniques qui ont été modifiés, altérés, démontés ou transformés ;
- aux services d'entretien réguliers, y compris le serrage des boulons, écrous et raccords, la mise au point du moteur et le remplacement de pièces requises dans le cadre de l'entretien normal telles que filtres, plot de contact et condensateurs, bougies et fils, fusibles, courroies, lubrifiant et toutes les pièces sujettes à l'usure normale.
- à tous les accessoires.

Obligation du propriétaire

Afin de maintenir la validité de cette GARANTIE DU DISTRIBUTEUR, les services d'entretien requis tels qu'énoncés dans le Manuel du propriétaire doivent être effectués aux intervalles appropriés et les reçus détaillés et registres doivent être gardés en dossiers.

Comment bénéficier de cette garantie

Vous devez apporter votre moteur à toutes fins Honda, à vos frais, pendant les heures normales de travail, chez le concessionnaire autorisé de produits mécaniques Honda où vous avez acheté ce produit ou chez le concessionnaire précisé par le fabricant de l'équipement propulsé par le moteur Honda. Si vous ne pouvez pas obtenir le service prescrit par la garantie ou en êtes insatisfait, prenez les mesures suivantes : communiquez d'abord avec le propriétaire de la concession concernée ; cela devrait suffire pour résoudre le problème. Si, toutefois, vous désirez de l'aide additionnelle, veuillez écrire au bureau Honda Canada Inc., à l'attention du Service des relations avec la clientèle aux adresses, *Information concernant la garantie* (voir la page 12).

Garantie des pièces de rechange et des accessoires

Les pièces ou accessoires neufs d'origine Honda, vendus à un consommateur et installés par un concessionnaire autorisé de produits mécaniques Honda, non couverts aux termes de la GARANTIE DU DISTRIBUTEUR sont garantis pour une période d'un (1) an à compter de la date d'achat, sous réserve que cette garantie de pièces de rechange et d'accessoires ne s'applique pas aux pièces de rechange modifiées, utilisées ou installées sur un produit mécanique pour lequel lesdites pièces de rechange n'étaient pas conçues.

Exclusion de toute autre garantie

La GARANTIE DU DISTRIBUTEUR est la seule et unique garantie écrite offerte par Honda sur les moteurs à toutes fins Honda. Aucun concessionnaire, agent ou employé n'est autorisé à prolonger ou augmenter cette garantie au nom de Honda par toute déclaration écrite ou verbale ou toute publicité.

Dénégation de responsabilité

Dans la mesure autorisée par la loi, Honda se dégage de toute responsabilité découlant des pertes de temps ou d'utilisation du moteur à toutes fins, des coûts de transport ou de remorquage ou de tout autre dommage imprévu, direct ou consécutif, d'inconvénient ou de perte de revenus.

Avis au consommateur

Les stipulations contenues dans ces garanties écrites n'ont pas pour objet de limiter, modifier, annuler, nier ou exclure toute garantie énoncée dans "The Consumer Products Warranties Act, 1977" (Saskatchewan), "The Consumer Product Warranty and Liability Act" (Nouveau-Brunswick) et la "Loi sur la protection du consommateur" (Québec) ou toute autre loi provinciale ou fédérale similaire.

Déclaration de confidentialité

L'information sur le propriétaire soumise peut être utilisée par Honda et ses Sociétés affiliées, leurs concessionnaires et leurs fournisseurs de services dans le but de vous communiquer des informations commerciales, de produits et de services. Si vous préférez ne pas recevoir d'informations commerciales, veuillez communiquer avec nous au 1-888-946-6329

GARANTIE DU SYSTÈME ANTIPOLLUTION

Votre nouveau moteur pour Produit Mécanique Honda est conforme aux réglementations sur les émissions de l'U.S. EPA, d'Environnement Canada et de l'État de Californie. American Honda Motor Co., Inc. fournit la garantie sur les émissions pour les moteurs aux États-Unis et dans ses territoires. Honda Canada Inc. fournit la garantie sur les émissions pour les moteurs dans les 13 provinces et territoires du Canada. Dans la suite de cette Garantie du système antipollution, American Honda Motor Company Inc. et Honda Canada Inc. sont appelés Honda.

Vos droits et obligations aux termes de la garantie :

Californie

Le California Air Resources Board et Honda sont heureux de vous expliquer la garantie du système antipollution qui équipe votre moteur pour Produit Mécanique Honda. En Californie, les nouveaux moteurs à allumage par étincelle pour petits appareils non routiers doivent être conçus, fabriqués et équipés pour satisfaire les strictes normes antipollution de l'état.

Autres états, territoires américains et Canada

Dans les autres régions des États-Unis et au Canada, votre moteur doit être conçu, fabriqué et équipé pour satisfaire les normes d'émissions de l'U.S. EPA et d'Environnement Canada pour les moteurs à allumage par étincelle de 19 kilowatts ou moins.

Ensemble des États-Unis et Canada

Honda doit garantir le système antipollution de votre moteur pour produit mécanique pendant la durée indiquée ci-dessous, à condition que le moteur n'ait fait l'objet d'aucune forme d'emploi abusif, négligence ou défaut d'entretien. En cas de panne remplissant les conditions de la garantie, Honda s'engage à réparer votre moteur sans frais à votre charge, notamment pour le diagnostic, les pièces et la main-d'œuvre.

Votre système antipollution peut comprendre des organes tels que le carburateur ou le système d'injection de carburant, le système d'allumage et le convertisseur catalytique. Les tuyaux, raccords et autres éléments en rapport avec les émissions peuvent également être inclus.

Garantie du fabricant :

Les moteurs pour produit mécanique de 1995 et ultérieurs sont garantis pendant deux ans. Toute pièce en rapport avec les émissions jugée défectueuse sera réparée ou remplacée par Honda.

Responsabilité du propriétaire aux termes de la garantie :

En tant que propriétaire du moteur pour produit mécanique, vous avez la charge des opérations d'entretien indiquées dans votre manuel de l'utilisateur. Honda vous conseille de conserver tous les reçus concernant l'entretien de votre moteur pour produit mécanique, toutefois Honda ne peut pas refuser le recours à la garantie uniquement en raison de l'absence de reçus ou si vous avez manqué à assurer la totalité de l'entretien prévu.

En tant que propriétaire du moteur pour produit mécanique, vous devez cependant savoir que Honda peut vous refuser le recours à la garantie si votre moteur pour produit mécanique ou l'une de ses pièces a fait l'objet d'emploi abusif, de négligence, de défaut d'entretien ou de modifications non autorisées.

Il relève de votre responsabilité de présenter votre moteur pour produit mécanique à un concessionnaire de Produits Mécaniques Honda dès qu'un problème se présente. Les réparations couvertes par la garantie devraient être effectuées dans un délai raisonnable ne dépassant pas 30 jours.

Pour toute question concernant vos droits et responsabilités aux termes de la garantie, veuillez communiquer avec le Bureau Honda de votre région :

American Honda Motor Co., Inc. Power Equipment Customer Relations 4900 Marconi Drive Alpharetta, Georgia 30005-8847 Téléphone : (770) 497-6400	ou	Honda Canada Inc. Power Equipment Customer Relations Veuillez visiter www.honda.ca pour l'information de contact. Téléphone : (888) 946-6329
--	----	--

Couverture de la garantie :

Les moteurs pour produit mécanique Honda fabriqués après le 1er janvier 1995 et vendus dans l'État de Californie, les moteurs homologués par l'U.S. EPA fabriqués à partir du 1er septembre 1996 et vendus dans l'ensemble des États-Unis et les moteurs homologués au Canada fabriqués à partir du 1er janvier 2005 sont couverts par cette garantie pour une durée de deux ans à compter de la date de livraison à l'acheteur au détail initial. Cette garantie peut être cédée à chaque acheteur ultérieur pendant toute la durée de la garantie.

Les réparations couvertes par la garantie seront effectuées sans frais de diagnostic, de pièces ou de main-d'œuvre. Toutes les pièces défectueuses remplacées dans le cadre de la garantie deviennent la propriété de Honda. Les pièces couvertes par la garantie sont détaillées sous Pièces couvertes par la garantie du système de antipollution ci-joint après. Les pièces relevant de l'entretien courant, notamment bougies et filtres, figurant sur la liste des pièces garanties ne sont couvertes par la garantie que jusqu'à leur délai de remplacement prévu.

Honda est également responsable des dommages causés à d'autres organes du moteur par la défaillance de toute pièce couverte par la garantie pendant la durée de la garantie.

Les réparations couvertes par la garantie doivent utiliser exclusivement des pièces de rechange agréées par Honda, qui doivent être fournies sans frais pour le propriétaire. L'emploi de pièces de rechange non équivalentes aux pièces d'origine peut affecter l'efficacité du système antipollution de votre moteur. Si une telle pièce de rechange est utilisée pour la réparation ou l'entretien de votre moteur et qu'elle est jugée défectueuse par un revendeur Honda agréé ou qu'elle provoque la défaillance d'une pièce couverte par la

garantie, le recours à la garantie pour la réparation du moteur peut vous être refusé. Si la pièce en question est sans rapport avec la raison pour laquelle le moteur doit être réparé, alors le recours à la garantie ne peut vous être refusé.

Pour recourir à la garantie :

Vous devez amener votre moteur Honda ou le produit sur lequel il est installé, ainsi que votre carte d'enregistrement d'achat ou tout autre justificatif de la date d'achat initiale, à vos propres frais, à tout revendeur de Produit Mécanique Honda autorisé par Honda à vendre et à réparer ce produit Honda durant ses heures normales d'ouverture. Les demandes de réparation ou de réglage jugées nécessaires uniquement en raison de défauts de matériel ou de main-d'œuvre ne pourront pas être refusées au motif que le moteur n'a pas été correctement entretenu ou utilisé.

Si vous ne parvenez pas à obtenir de service dans le cadre de la garantie ou n'êtes pas satisfait du service obtenu, veuillez communiquer avec le propriétaire de la concession concernée. Ceci devrait normalement résoudre votre problème. Toutefois, si une assistance supplémentaire est nécessaire, veuillez écrire à ou appeler Honda Power Equipment Customer Relations Department dans votre région.

Exclusions :

Les pannes autres que celles résultant de défauts de matériel ou de main-d'œuvre ne sont pas couvertes par la présente garantie. Cette garantie ne couvre pas les pièces ou systèmes antipollution qui ont été altérés ou endommagés en raison d'emploi abusif, négligence, défaut d'entretien, abus, emploi d'un mauvais carburant, entreposage incorrect, ou collision, incorporation ou utilisation de quelconques pièces supplémentaires ou modifiées, accessoires inadaptés ou modification non autorisée d'une quelconque pièce par le propriétaire.

Cette garantie ne couvre pas le remplacement d'articles consommables effectué dans le cadre des opérations d'entretien normalement prévues au-delà du premier délai de remplacement de l'article indiqué dans la section entretien du manuel de l'utilisateur du produit, notamment : bougies et filtres.

Clause de non responsabilité pour les dommages consécutifs et limite des garanties implicites :

American Honda Motor Co., Inc. et Honda Canada Inc. déclinent toute responsabilité pour les dommages indirects ou consécutifs, notamment perte de temps ou d'emploi de l'produit mécanique ou tout préjudice commercial causé par la panne de l'appareil, et toutes les garanties implicites sont limitées à la durée de cette garantie écrite. Cette garantie ne s'applique qu'aux endroits où les réglementations sur la garantie des systèmes de antipollution de l'état de Californie, de l'U.S. EPA ou d'Environnement Canada sont en vigueur.

Pièces Couvertes Par La Garantie Du Système De Antipollution :

SYSTÈMES COUVERTS PAR CETTE GARANTIE:	DESCRIPTION DES PIÈCES:
Alimentation en carburant	Carburateur, (inclut le système d'enrichissement au démarrage), capteur de température du moteur, module de contrôle du moteur, régulateur de carburant, tubulure d'admission
Recyclage des vapeurs de carburant	Réservoir d'essence, bouchon d'essence, tuyaux souples de carburant, tuyaux souples pour vapeurs d'essence, absorbeur de vapeurs d'essence, supports de montage de l'absorbeur, filtre à essence, robinet d'essence, pompe à essence, joint de tuyau souple de carburant, joint de tuyau de purge de l'absorbeur
Échappement	Pot catalytique, collecteur d'échappement
Admission d'air	Boîtier du filtre à air, élément filtrant *
Allumage	Magnéto à volant d'inertie, capteur de position du vilebrequin, bobine d'alimentation, générateur d'impulsions d'allumage, bobine d'allumage, module de commande d'allumage, capuchon de bougie, bougie *
Le Contrôle d'Emission de carter	Tube du reniflard de carter, bouchon de réservoir
Pièces diverses	Tubes, raccords, joints, garnitures et colliers de serrage associés aux systèmes indiqués.

Remarque: Cette liste s'applique aux pièces fournies par Honda et ne couvre pas les pièces fournies par l'équipementier. Veuillez consulter la garantie de l'équipementier sur les émissions pour les pièces non fabriquées par Honda.

* Couverts seulement jusqu'au premier délai de remplacement. Voir le CALENDRIER D'ENTRETIEN (page 5).

NOTES

INTRODUCCIÓN

Gracias por comprar un motor Honda. Nuestro deseo es ayudarle a lograr los mejores resultados con su nuevo motor y a usarlo en forma segura. Este manual contiene información acerca de cómo hacerlo. Léalo atentamente antes de usar el motor. Si surge un problema, o si tiene preguntas sobre su motor, consulte a un concesionario autorizado de servicios de Honda.


Toda la información que se encuentra en esta publicación está basada en la información más reciente sobre el producto en el momento de su impresión. American Honda Motor Co., Inc. se reserva el derecho de realizar cambios en cualquier momento sin aviso previo y sin incurrir en ninguna obligación. No está permitida la reproducción de ninguna parte de esta publicación sin autorización por escrito.

Este manual debe considerarse parte permanente del motor y debe acompañarlo si se revende.

Estudie las instrucciones provistas con el equipo accionado por este motor para averiguar si hay información adicional sobre la puesta en marcha, el apagado, el funcionamiento y los ajustes del motor, así como instrucciones especiales sobre el mantenimiento.

MENSAJES DE SEGURIDAD

Su seguridad y la de otros son muy importantes. Hemos proporcionado importantes mensajes sobre la seguridad en este manual y en el motor. Lea estos mensajes atentamente.

El mensaje de seguridad le advierte de posibles peligros que podrían dañarlo a usted o a otros. Cada mensaje de seguridad está precedido por un símbolo de alerta de seguridad  y una de las tres siguientes palabras: PELIGRO, ADVERTENCIA o PRECAUCIÓN.

Estas palabras claves significan:

PELIGRO

Usted MORIRÁ o SE LASTIMARÁ GRAVE-MENTE si no sigue las instrucciones.

ADVERTENCIA

Usted PUEDE MORIR o LASTIMARSE GRAVE-MENTE si no sigue las instrucciones.

PRECAUCIÓN

Usted PUEDE LASTIMARSE si no sigue las instrucciones.

Cada mensaje identifica el peligro, lo que podría pasar y lo que usted puede hacer para evitar o reducir la lesión.

MENSAJES DE PREVENCIÓN DE DAÑO

Usted también verá otros mensajes importantes precedidos por la palabra AVISO.

Esta palabra significa:

AVISO

Su motor u otra propiedad podrían sufrir daños si usted no sigue las instrucciones.

El propósito de estos mensajes es ayudar a prevenir daños a su motor, otra propiedad o el ambiente.

INFORMACIÓN SOBRE LA SEGURIDAD

- Entienda la operación de todos los controles y aprenda a apagar el motor rápidamente en caso de emergencia. Asegúrese de que el operador reciba una capacitación adecuada antes de que maneje el equipo.
- Los humos de escape de su motor contienen monóxido de carbono tóxico. No haga funcionar el motor sin la ventilación apropiada, y nunca haga funcionar el motor en un lugar cerrado.
- El motor y los humos de escape se vuelven muy calientes durante su funcionamiento. Mantenga el motor a una distancia de al menos 1 metro de edificios y otros equipos mientras esté en funcionamiento. Manténgalo lejos de materiales inflamables, y no coloque nada encima del motor mientras esté en funcionamiento.

HONDA

MANUAL DEL PROPIETARIO

GC160 • GC190



ADVERTENCIA:



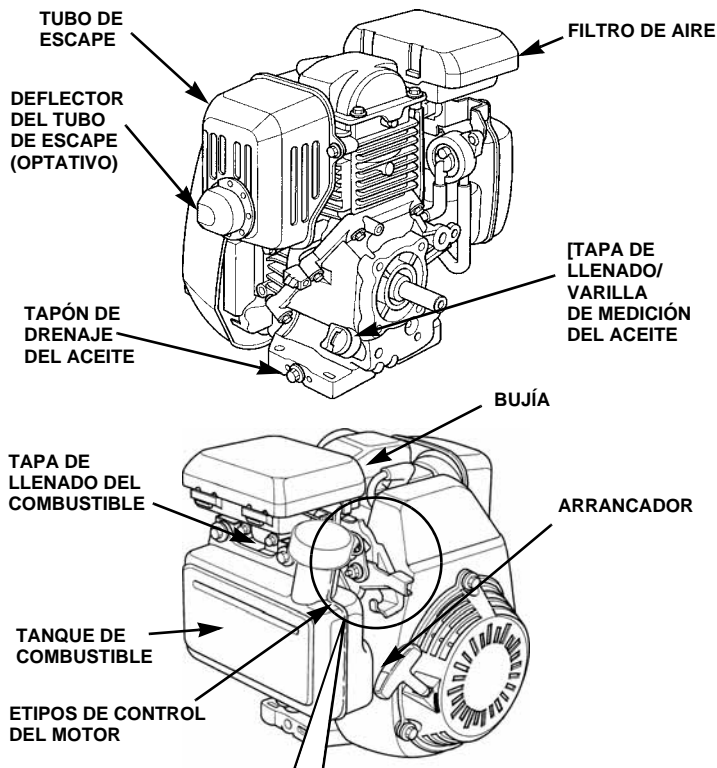
Los gases de escape del motor de este equipo contienen productos químicos que el Estado de California sabe que pueden producir cáncer, defectos de nacimientos y otras anomalías de la reproducción.

ESPAÑOL

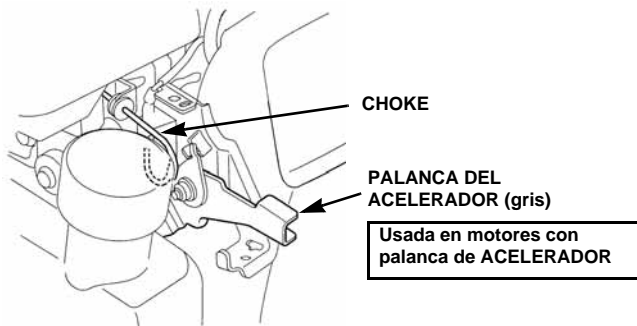
ÍNDICE

INTRODUCCIÓN	1	SEGURIDAD EN EL MANTENIMIENTO	4
MENSAJES DE SEGURIDAD	1	PRECAUCIONES DE SEGURIDAD	5
MENSAJES DE PREVENCIÓN DE DAÑO	1	PROGRAMA DE MANTENIMIENTO	5
INFORMACIÓN SOBRE LA SEGURIDAD	1	REABASTECIMIENTO DEL COMBUSTIBLE	5
UBICACIÓN DE COMPONENTES Y CONTROLES	2	ACEITE PARA MOTORES	6
VERIFICACIONES PREVIAS AL FUNCIONAMIENTO	2	FILTRO DE AIRE	6
¿ESTÁ SU MOTOR LISTO PARA OPERAR?	2	BUJÍA	6
OPERACIÓN	2	PARACHISPAS (equipo optativo)	7
PRECAUCIONES DE SEGURIDAD PARA LA OPERACIÓN	2	CÓMO ALMACENAR EL MOTOR	7
TIPO 1: ACELERADOR MANUAL/ CHOKE MANUAL	3	TRANSPORTE	8
TIPO 2: ACELERADOR FIJO/ PALANCA DEL INTERRUPTOR DE ENCENDIDO/CHOKE MANUAL	3	CÓMO SOLUCIONAR PROBLEMAS IMPREVISTOS	8
TIPO 3: ACELERADOR FIJO/ INTERRUPTOR DE PARADA DEL MOTOR/CHOKE MANUAL	4	INFORMACIÓN TÉCNICA	9
SISTEMA DE OIL ALERT®	4	INFORMACIÓN SOBRE EL SISTEMA DE CONTROL	9
EL SERVICIO DEL MOTOR	4	ESPECIFICACIONES	10
LA IMPORTANCIA DEL MANTENIMIENTO	4	DIAGRAMA DE CONEXIONES	11
		INFORMACIÓN PARA EL CONSUMIDOR	11
		INFORMACIÓN PARA EL CONSUMIDOR	11
		INFORMACIÓN DE SERVICIO AL CLIENTE DE MEXICO, LA AMÉRICA CENTRAL Y AMÉRICA DEL SUR	12
		GARANTÍA INTERNACIONAL	ÚLTIMA PÁGINA

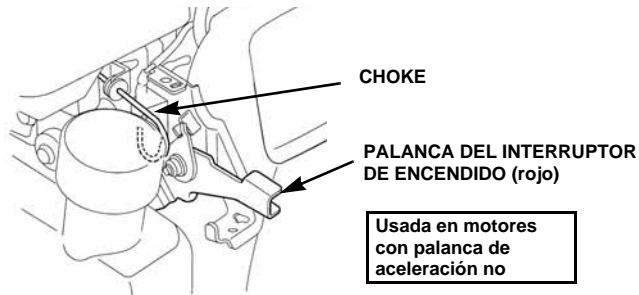
UBICACIÓN DE COMPONENTES Y CONTROLES



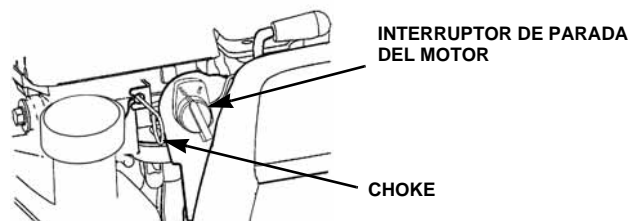
TIPO 1: ACELERADOR MANUAL/CHOKE MANUAL



TIPO 2: ACELERADOR FIJO/MANIJA DEL INTERRUPTOR DE ENCENDIDO/CHOKE MANUAL



TIPO 3: ACELERADOR FIJO/INTERRUPTOR DE PARADA DEL MOTOR/CHOKE MANUAL



VERIFICACIONES PREVIAS AL FUNCIONAMIENTO

¿ESTÁ SU MOTOR LISTO PARA OPERAR?

Para su seguridad, y para prolongar la vida útil al máximo, es muy importante tomarse unos momentos antes de poner en marcha el motor para verificar su estado. No deje de solucionar todos los problemas que descubra o hágalos corregir por el concesionario de servicio antes de usar el motor.

⚠ ADVERTENCIA

El mantenimiento incorrecto de este motor, o el no corregir un problema antes de usarlo, puede causar un funcionamiento defectuoso que podría herirlo gravemente o producirle la muerte.

Realice siempre una inspección previa antes de cada operación, y corrija todos los problemas.

Antes de iniciar sus verificaciones previas, asegúrese que el motor esté nivelado y que la palanca de aceleración (palanca del interruptor de encendido o interruptor de parada del motor) esté en la posición de PARADA.

Verifique siempre lo siguiente antes de arrancar el motor:

1. Nivel de combustible (consultar la página 5).
2. Nivel de aceite (consultar la página 6).

El sistema Oil Alert® (tipos de motores pertinentes) apaga el motor automáticamente antes de que el nivel de aceite caiga por debajo de los límites seguros. No obstante, para evitar las molestias de un paro inesperado, verificar siempre el nivel de aceite del motor antes de darle arranque.

3. Filtro de aire (consultar la página 6).
4. Inspección general: verificar que no haya pérdidas de fluido ni partes flojas o dañadas.
5. Verificar el equipo accionado por este motor.

Estudie las instrucciones provistas con el equipo accionado por este motor para averiguar si hay precauciones y procedimientos que deban observarse antes de poner en marcha el motor.

OPERACIÓN

PRECAUCIONES DE SEGURIDAD PARA LA OPERACIÓN

Antes de poner el motor en funcionamiento por primera vez, examine la sección de *INFORMACIÓN SOBRE LA SEGURIDAD* en la página 1 y las *VERIFICACIONES PREVIAS AL FUNCIONAMIENTO*.

Por su seguridad, no utilice el motor en áreas cerradas, por ejemplo, en las cocheras. Los gases emitidos por el escape del motor contienen monóxido de carbono venenoso que puede acumularse rápidamente en las áreas cerradas y producir malestares o incluso la muerte.

⚠ ADVERTENCIA

Les gaz d'échappement contiennent du monoxyde de carbone qui peut en s'accumulant dans un local fermé devenir dangereux. L'inhalation de monoxyde de carbone peut être responsable d'une perte de connaissance ou d'un décès.

Ne jamais faire tourner le moteur dans un local fermé ou même partiellement fermé si des personnes sont présentes.

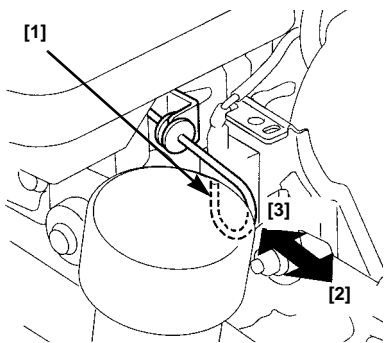
Estudie las instrucciones provistas con el equipo accionado por este motor para averiguar si hay precauciones de seguridad que deban observarse durante el arranque, la parada o el uso del motor.

No opere el motor en pendientes mayores a 20°.

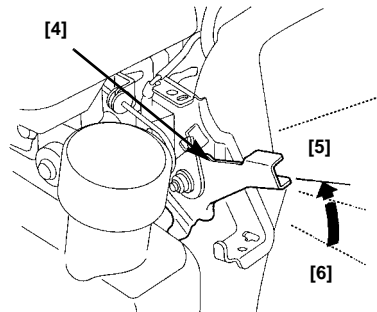
TIPO 1: ACELERADOR MANUAL/CHOKE MANUAL

Cómo poner en marcha un motor

1. Tirar del choke [1] hasta que llegue a la posición de CERRADO [2] (frío motor)

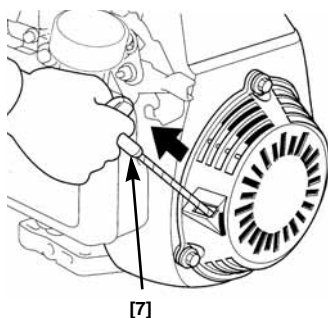


2. Mover la palanca del acelerador (gris) [4] en sentido opuesto a la posición de lento [6] aproximadamente 1/3 del camino hacia la posición de RÁPIDO [5].



Algunas aplicaciones del motor usan un control de acelerador montado en forma remota en lugar de la palanca del acelerador montada en el motor según esta ilustración.

3. Tirar suavemente de la manija de arranque [7] hasta sentir una resistencia; luego tirar enérgicamente..



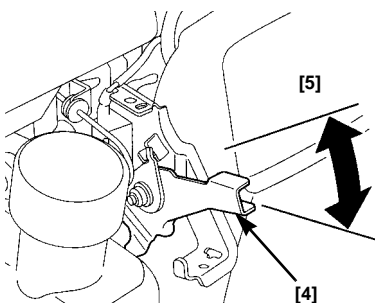
AVISO

No permitir que la manija de arranque pegue contra el motor. Regresarla suavemente para no dañar el arrancador.

4. Si se tiró del choke se tiró hasta la posición de CERRADO [2] para arrancar el motor, empujarlo hasta la posición de ABIERTO [3] en cuanto el motor se caliente lo suficiente como para operar fluidamente.

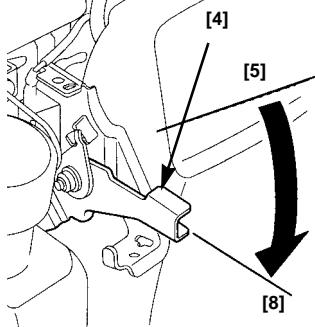
Ajuste del acelerador

Coloque la palanca del acelerador (gris) [4] en la velocidad deseada. Para el mejor rendimiento del motor, se recomienda hacer funcionar el motor con el acelerador en la posición de RÁPIDO [5] (o alto).



Cómo apagar el motor

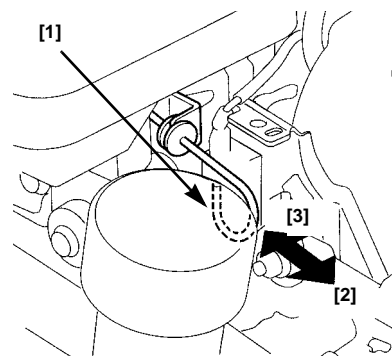
1. Mover la palanca del acelerador [3] a la posición de lento.
2. Permitir que el motor funcione en vacío varios segundos, y luego mover la palanca del acelerador a la posición de apagado [8].



TIPO 2: ACELERADOR FIJO/PALANCA DEL INTERRUPTOR DE ENCENDIDO/CHOKE MANUAL

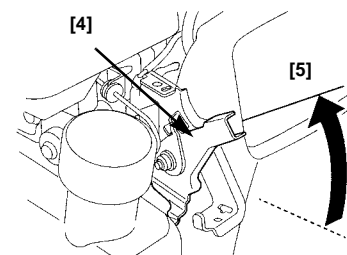
Cómo poner en marcha un motor

1. Tirar del [1] choke hasta que llegue a la posición de CERRADO [2] (frío motor).

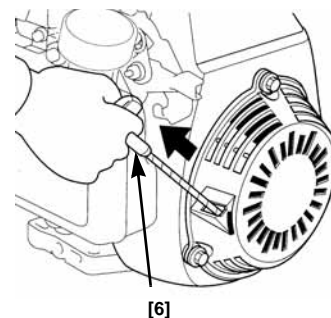


2. Mover la palanca del interruptor de encendido (roja) [4] hasta la posición de encendido [5].

Algunas aplicaciones del motor usan un interruptor de encendido montado en forma remota en lugar de la palanca del interruptor de encendido según esta ilustración.



3. Tirar suavemente de la manija de arranque [6] hasta sentir una resistencia; luego tirar enérgicamente.



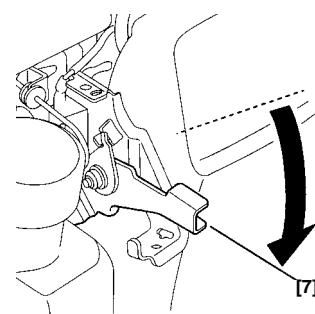
AVISO

No permitir que la manija de arranque pegue contra el motor. Regresarla suavemente para no dañar el arrancador.

4. Si se tiró del choke hasta la posición de CERRADO [2] para dar arranque al motor, empujarlo hasta la posición de ABIERTO [3] en cuanto el motor se caliente lo suficiente como para operar fluidamente.
5. La velocidad del motor está prefijada para este tipo.

Cómo apagar el moto

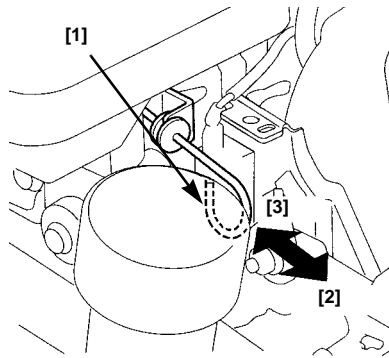
Mueva la palanca del interruptor de encendido (roja) hasta la posición de apagado [7].



TIPO 3: ACELERADOR FIJO/INTERRUPTOR DE PARADA DEL MOTOR/CHOKE MANUAL

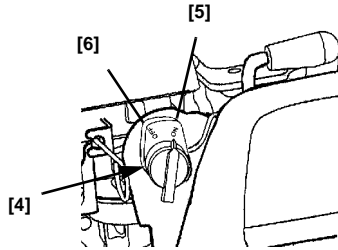
Cómo poner en marcha un motor

1. Tirar del choke [1] hasta que llegue a la posición de CERRADO [2] (frío motor).

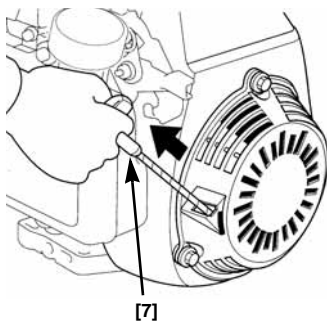


2. Mover el interruptor de parada del motor [4] hasta la posición de ABIERTO [5].

Algunas aplicaciones del motor usan un interruptor de encendido montado en forma remota en lugar del interruptor de parada del motor montado en el motor según esta ilustración.



3. Tirar suavemente de la manija de arranque [7] hasta sentir una resistencia; luego tirar enérgicamente.



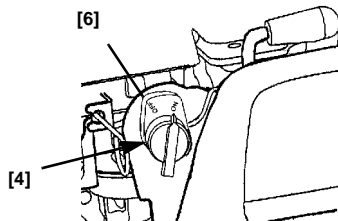
AVISO

No permitir que la manija de arranque pegue contra el motor. Regresarla suavemente para no dañar el arrancador.

4. Si se tiró del choke [1] hasta la posición de CERRADO [2] para arrancar el motor, tirarlo hasta la posición de ABIERTO [3] en cuanto el motor se caliente lo suficiente como para operar fluidamente.
5. La velocidad del motor está prefijada para este tipo.

Cómo apagar el motor

Mueva el interruptor de parada del motor a la posición de apagado [6].



SISTEMA DE OIL ALERT®

El sistema Oil Alert está diseñado para evitar daños al motor causados por una cantidad insuficiente de aceite en el cárter. Antes de que el nivel del aceite en el cárter pueda caer debajo de un límite seguro, el sistema Oil Alert apaga el motor automáticamente [la palanca de aceleración (palanca del interruptor de encendido) permanece en una posición de marcha].

Si el motor se apaga y no vuelve a arrancar, controlar el nivel de aceite del motor (consultar la página 6) antes de buscar problemas en otras áreas.

EL SERVICIO DEL MOTOR

LA IMPORTANCIA DEL MANTENIMIENTO

El buen mantenimiento es esencial para un funcionamiento seguro, económico y libre de problemas. También ayuda a reducir la contaminación.

⚠ ADVERTENCIA

El mantenimiento incorrecto, o el no corregir los problemas antes de su funcionamiento, puede causar un funcionamiento defectuoso que podría lesionarlo gravemente o producirle la muerte.

Siga siempre las recomendaciones y los programas de inspección y mantenimiento de este manual del propietario.

Para ayudarle a cuidar de su motor correctamente, las siguientes páginas incluyen un programa de mantenimiento, procedimientos de inspección rutinarios y procedimientos de mantenimiento sencillos que utilizan herramientas básicas. Es mejor permitir que profesionales realicen las tareas de servicio más difíciles o que requieren herramientas especiales. Por lo general, estas tareas son realizadas por un técnico de Honda u otro mecánico autorizado.

El programa de mantenimiento se aplica a condiciones de funcionamiento normales. Si usted usa su motor en condiciones severas, por ejemplo, un funcionamiento prolongado con altas cargas o a temperaturas elevadas, o si lo usa en condiciones más húmedas o polvorientas que de costumbre, consulte a su concesionario de servicios para pedirle recomendaciones pertinentes a sus necesidades y usos individuales.

Recuerde que el concesionario autorizado de servicios de Honda conoce mejor su motor y tiene todo los equipos necesarios para mantenerlo y repararlo.

Para asegurar la mejor calidad y confiabilidad, use sólo partes nuevas genuinas de Honda o sus equivalentes para las tareas de reparación y reemplazo.

El mantenimiento, el reemplazo o la reparación de los dispositivos y sistemas de control de emisiones pueden ser realizados por cualquier establecimiento o particular dedicado a la reparación de motores, usando partes "certificadas" según las normas de la EPA.

SEGURIDAD EN EL MANTENIMIENTO

A continuación se encuentran algunas de las precauciones de seguridad más importantes. Sin embargo, no podemos advertirle de todos los peligros concebibles que podrían surgir al realizar el mantenimiento. Sólo usted puede decidir si debe realizar una tarea dada o no.

⚠ ADVERTENCIA

Usted puede sufrir lesiones graves o morir si no sigue las instrucciones y las precauciones de mantenimiento correctamente.

Siempre siga los procedimientos y las precauciones que se encuentran en este manual del propietario.

PRECAUCIONES DE SEGURIDAD

- Asegúrese de que el motor esté apagado antes de comenzar cualquier tarea de mantenimiento o reparación. Esto eliminará varios posibles peligros:
 - Intoxicación por monóxido de carbono de los humos de escape del motor.**
Asegúrese de que haya una ventilación adecuada cada vez que ponga el motor en marcha.
 - Quemaduras provocadas por partes calientes.**
Permita que el motor y el sistema de escape se enfríen antes de tocarlos.
 - Lesiones producidas por partes en movimiento.**
No deje el motor andando a menos que esté específicamente indicado en las instrucciones.
- Lea las instrucciones antes de comenzar, y asegúrese de que tenga las herramientas y las destrezas requeridas.
- Para reducir la posibilidad de incendio o explosión, tenga cuidado al trabajar cerca de la gasolina. Use únicamente un solvente no inflamable (no gasolina) para limpiar las partes. Mantenga los cigarrillos, las chispas y las llamas lejos de todas las partes relacionadas con el combustible.

PROGRAMA DE MANTENIMIENTO

ITEM	Realizar cada mes o intervalo de horas de funcionamiento indicado, según cuál ocurra primero.	PERÍODO DE SERVICIO NORMAL (4)						Página
		Antes de cada uso	Primer mes o 5 horas	Cada 3 meses o 25 horas	Cada 6 meses o 50 horas	Cada año o 100 horas	Cada dos años o 250 horas	
Aceite para motores	Revisar	O						6
	Cambiar		O		O (2)			6
Filtro de aire	Revisar	O						6
	Limpiar			O (1)				
	Reemplazar						O	
Bujía	Revisar - ajustar					O		6
	Reemplazar						O	
Parachispas (equipo optativo)	Limpiar					O		7
Velocidad en vacío	Revisar - ajustar					O(3)		Manual del taller
Tanque y filtro de combustible	Limpiar					O(3)		Manual del taller
Tolerancia de válvula	Revisar - ajustar					O(3)		Manual del taller
Tubo de combustible	Revisar	Cada 2 años (reemplazar si hace falta) (3)						Manual del taller
Cámara de combustión	Limpiar	Después de cada 250 horas (3)						Manual del taller

- Realizar el servicio más frecuentemente cuando se usa en zonas polvorrientas.
- Cambiar el aceite del motor cada 25 horas cuando se usa con cargas pesadas o en temperaturas ambientes elevadas.
- Estos ítems deben ser realizados por un concesionario autorizado de servicios de Honda, a menos que usted tenga las herramientas apropiadas y sea experto en la mecánica. Consulte el manual del taller de Honda para averiguar los procedimientos de servicio.
- Para uso comercial, registrar las horas de funcionamiento para determinar los intervalos de mantenimiento correctos.

Si no sigue este programa de mantenimiento pueden producirse fallas que no entran en la garantía.

REABASTECIMIENTO DEL COMBUSTIBLE

Este motor está certificado para funcionar con gasolina sin plomo con un octanaje de 86 o más.

Eche gasolina en un área bien ventilada y con el motor parado. Si el motor ha estado funcionando, deje que se enfríe primero. No eche gasolina a la máquina en el interior de un edificio donde los vapores de la gasolina puedan estar expuestos a alguna llama o chispa.

Puede usar gasolina ordinaria sin plomo que no contenga más del 10% de etanol (E10) o del 5% de metanol por volumen. Asimismo, el metanol debe contener cosolventes e inhibidores de corrosión. El uso de combustibles con un contenido de metanol superior al mostrado anteriormente puede ocasionar problemas de arranque o de funcionamiento. También puede dañar las piezas de metal, goma y plástico del sistema de combustible. El daño al motor o los problemas de funcionamiento que resulten del uso de un combustible con porcentajes de etanol o metanol superiores a los mostrados anteriormente no están cubiertos por la garantía.

Si no se va a utilizar el equipo frecuentemente o de manera continua, consulte la sección de combustible del capítulo STORAGE (ALMACENAMIENTO) (página 7) para obtener más información sobre el deterioro del combustible.

⚠ ADVERTENCIA

La gasolina es altamente inflamable y explosiva. Usted puede quemarse o lesionarse gravemente durante el reabastecimiento.

- Apagar el motor y alejar fuentes de calor, chispas y llamas.
- Reabastecer de combustible únicamente al aire libre.
- Limpiar los derrames inmediatamente.

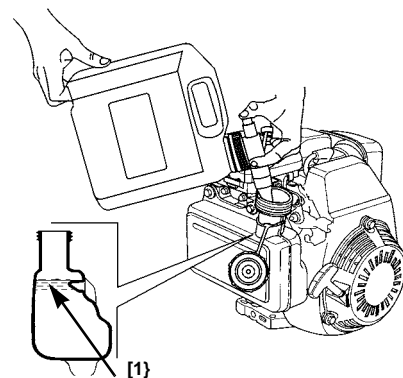
AVISO

El combustible puede dañar la pintura y algunos tipos de plástico. Se debe tener cuidado de no derramar combustible al llenar el tanque. El daño causado por combustible derramado no está cubierto bajo la Garantía.

No use nunca gasolina rancia o contaminada ni mezclas de aceite y gasolina. No permita que entre suciedad o agua en el tanque de combustible.

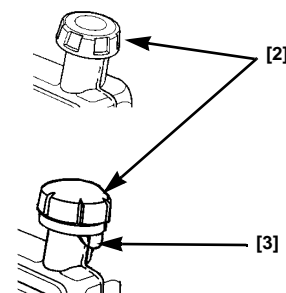
Antes de arrancar el motor, aléjese al menos 3 metros del emplazamiento y la fuente de la gasolina.

- Quitar la tapa del tanque de combustible.
- Agregar combustible hasta la parte inferior del límite [1] de combustible en el cuello del tanque de combustible. No sobrellenarlo. Limpiar el combustible derramado antes de poner el motor en marcha.



- Apriete el tapón del tanque de combustible [2].

- Tipo no correa. Apriete el tapón firmemente.
- Tipo correa [3]. Apriete el tapón hasta que escuche un clic.

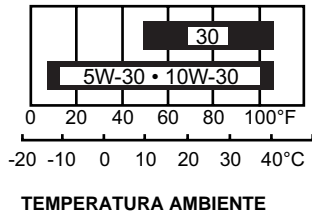


ACEITE PARA MOTORES

Aceite recomendado

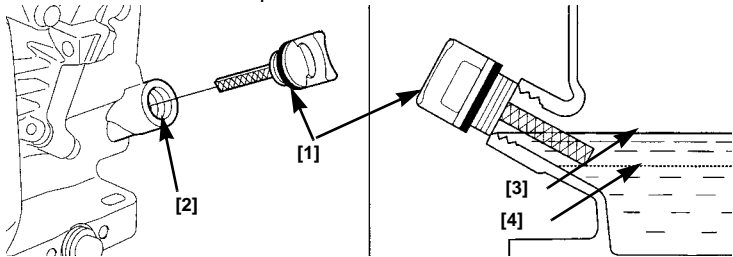
Use un aceite para motores de 4 tiempos que cumpla o sobrepase los requisitos de API para la clasificación de servicio SJ o su equivalente. Verifique siempre la etiqueta de servicio de API en el recipiente de aceite para asegurarse que incluya las letras SJ o su equivalente.

Se recomienda SAE 10W-30 para uso general. Se pueden usar las otras viscosidades que figuran en el cuadro cuando la temperatura media de su área esté dentro de la gama indicada.



Verificación del nivel de aceite

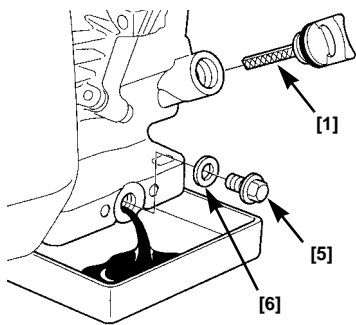
1. Revisar el aceite con el motor apagado y nivelado.
2. Quitar la tapa de llenado/varilla del nivel de aceite [1] y limpiarla.
3. Introducir la tapa de llenado/varilla del nivel de aceite en el cuello del llenado de aceite según lo ilustrado, pero no enroscarla; luego quitarla para verificar el nivel de aceite.
4. Si el nivel del aceite está cerca o por debajo de la marca del límite inferior [4] en la varilla, llenar con el aceite recomendado hasta la marca del límite superior [3] (borde inferior del orificio de llenado de aceite [2]). No sobrellenar.
5. Volver a instalar la tapa de llenado/varilla del nivel de aceite.



Cambio de aceite

Drene el aceite del motor mientras el motor está tibio. El aceite tibio se drena rápida y completamente.

1. Colocar un recipiente apropiado junto al motor para recibir el aceite usado.
2. Quitar la tapa de llenado/varilla del nivel de aceite [1] y el tapón de drenaje [5] del aceite.
3. Permitir que el aceite usado se drene completamente; luego volver a instalar el tapón de drenaje [5] y la arandela [6]. Apretar bien el tapón de drenaje.



Eliminar el aceite usado del motor de una manera compatible con el medio ambiente. Sugerimos que se lleve el aceite usado en un recipiente sellado al centro de reciclaje local o a una estación de servicio para su recuperación. No se debe tirar en la basura ni verter en el suelo o un drenaje.

4. Con el motor en una posición nivelada, llenar hasta la marca del límite superior (borde inferior del orificio de llenado de aceite) en la varilla con el aceite recomendado (consultar la página 6).

AVISO

Tener el motor en funcionamiento con un bajo nivel de aceite puede causar daño al motor.

5. Volver a instalar la tapa de llenado/varilla del nivel de aceite con seguridad.

FILTRO DE AIRE

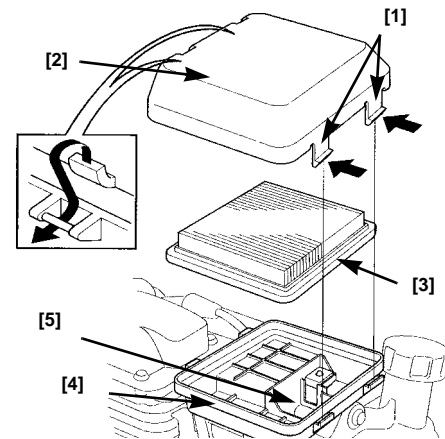
Un filtro de aire sucio limita la circulación de aire al carburador y causa un mal rendimiento del motor. Examine el filtro cada vez que se use el motor. Tendrá que limpiar el filtro más frecuentemente si usa el motor en áreas muy polvorientas.

AVISO

El funcionamiento del motor sin un filtro de aire, o con un filtro dañado, permitirá la entrada de suciedad en el motor, causando un desgaste rápido del mismo. Este tipo de daño no está cubierto bajo la Garantía.

Inspección

1. Oprimir las lengüetas de retenida [1] en la parte superior de la tapa del filtro de aire [2], y quite la tapa. Revisar el filtro [3] para asegurarse que esté limpio y en buenas condiciones.
2. Volver a instalar el filtro y la tapa del filtro de aire.



Limpieza

1. Golpetear el filtro varias veces contra una superficie dura para quitar la suciedad o soplar aire comprimido [a no exceder 297 kPa, 2,1 kg/cm²] a través del filtro desde el lado limpio que da al motor. No intente nunca sacar la suciedad con un cepillo. El cepillado hará que la suciedad penetre en las fibras.
2. Limpiar la suciedad del cuerpo del filtro de aire [4] y cubrir, usando un paño húmedo. No permita que entre suciedad [5].

BUJÍA

Bujía recomendada: NGK BPR6ES

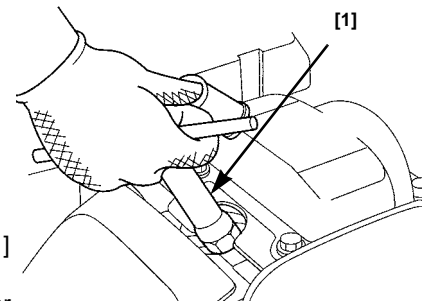
La bujía recomendada tiene la gama de calor correcta para las temperaturas de funcionamiento normales del motor.

AVISO

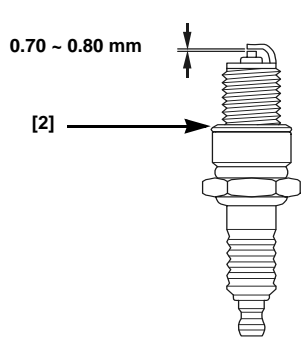
Las bujías incorrectas pueden dañar el motor.

Para obtener un buen rendimiento, la bujía debe tener la luz correcta y estar libre de depósitos.

1. Desconectar la tapa de la bujía y quitar toda la suciedad del área de la bujía.
2. Usar la llave para bujías [1] del tamaño correspondiente para quitar la bujía.
3. Revisar la bujía. Reemplazarla si está dañada, muy sucia, si la arandela selladora [2] está en malas condiciones o si electrodo está gastado.



4. Medir la luz del electrodo con una galga apropiada. La luz correcta es de 0,70-0,80 mm pulg. Si hace falta un ajuste, corregir el espacio doblando el electrodo de costado.



5. Instalar la bujía con cuidado, manualmente, para no cruzar la rosca.
6. Una vez asentada la bujía, apretarla con la llave para bujías del tamaño correspondiente para comprimir la arandela.
7. Cuando se instala una bujía nueva, ajustarla 1/2 vuelta después de asentarla para comprimir la arandela.
8. Cuando se vuelve a instalar la bujía original, apretarla 1/8 - 1/4 de vuelta después de asentarla para comprimir la arandela.

AVISO

Una bujía suelta puede volverse muy caliente y dañar el motor. Si se sobreaprieta la bujía, se pueden dañar las roscas en la tapa de cilindros.

9. Fijar el terminal del cable en la bujía.

PARACHISPAS (equipo optativo)

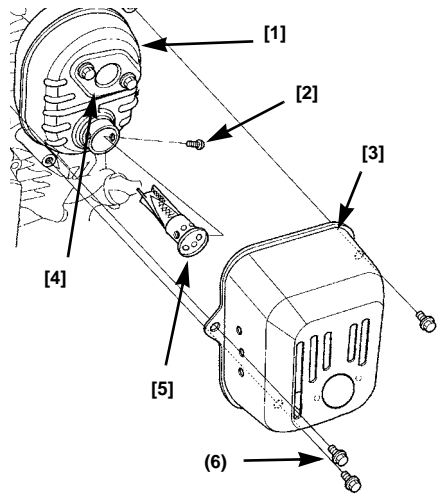
El parachispas puede ser el estándar o uno opcional, dependiendo del tipo de motor. En algunas áreas, es ilegal operar un motor sin un parachispas. Verifique las leyes y regulaciones locales. Los concesionarios de servicio autorizados Honda tienen disponibles parachispas.

Al supresor de chispas se le debe realizar el servicio cada 100 horas para mantenerlo funcionando como se diseñó.

Si el motor ha estado en marcha, el silenciador estará caliente. Deje que se enfríe antes de realizar el servicio del supresor de chispas. [5].

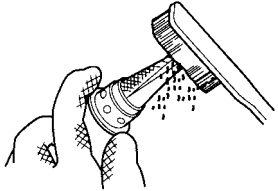
Remoción del parachispas

1. Quitar los tres pernos [6] de 6 mm del protector del tubo de escape [3] y quitar el protector del tubo de escape.
2. Quitar los dos tornillos especiales [2] del parachispas [5] y quitar el parachispas del tubo de escape [1].



Limpieza e inspección del parachispas

1. Usar un cepillo para quitar los depósitos de carbón de la malla del parachispas. Reemplazar el parachispas [5] si tiene roturas o agujeros.
2. Instalar el parachispas en el orden inverso a su remoción.



CÓMO ALMACENAR EL MOTOR

La preparación correcta para el almacenamiento es esencial para que el motor se mantenga libre de problemas y conserve su buen aspecto. Los siguientes pasos ayudarán a impedir que la oxidación y la corrosión menoscaben el funcionamiento y el aspecto del motor, y facilitarán la puesta en marcha del motor cuando se lo vuelva a usar.

LIMPIEZA

Si el motor ha estado funcionando, permita que se enfríe durante al menos media hora antes de limpiarlo. Limpie todas las superficies externas, repare la pintura dañada y recubra otras áreas que se podrían oxidar con una ligera película de aceite.

AVISO

El uso de mangueras de jardín o equipos de limpieza a presión puede forzar agua en la abertura del filtro de aire o del tubo de escape. Si entra agua en el filtro de aire, empañará el filtro de aire, y el agua que pasa por el filtro de aire o el tubo de escape puede entrar en el cilindro, causando daño.

COMBUSTIBLE

AVISO

Según la región donde opere el equipo, las fórmulas del combustible pueden deteriorarse y oxidarse rápidamente. El deterioro y la oxidación del combustible pueden ocurrir en tan solo 30 días y esto puede dañar el carburador y/o el sistema de combustible. Hable con su agente de mantenimiento para conocer las recomendaciones de almacenamiento local.

La gasolina se oxida y deteriora durante el almacenamiento. La gasolina deteriorada causa problemas para arrancar y deja depósitos de goma que obstruyen el sistema de combustible. Si la gasolina en el motor se deteriora durante el almacenamiento, tal vez deba hacerle mantenimiento al carburador y a los otros componentes del sistema de combustible, o reemplazarlos.

El período durante el cual se puede dejar gasolina en el tanque de combustible y el carburador sin causar problemas funcionales variará según factores tales como la calidad de la gasolina, las temperaturas de almacenamiento y si el tanque de combustible está parcial o completamente lleno. El aire en un tanque de combustible parcialmente lleno promueve el deterioro del combustible. Temperaturas de almacenamiento muy altas aceleran el deterioro del combustible. Los problemas con el combustible pueden ocurrir en el espacio de pocos meses o aún menos si la gasolina con la cual se llenó el tanque no era fresca.

Ni el daño al sistema de combustible ni los problemas de rendimiento del motor provocados por la negligencia en la preparación del almacenamiento están cubiertos bajo la *Garantía*.

Se puede prolongar la vida de almacenamiento del combustible agregando un estabilizador de gasolina formulado con ese fin, o se pueden evitar los problemas del deterioro del combustible drenando el tanque de combustible y el carburador.

LA ADICIÓN DE UN ESTABILIZADOR DE GASOLINA PARA PROLONGAR LA VIDA DE ALMACENAMIENTO DEL COMBUSTIBLE

Cuando se agrega un estabilizador de gasolina, se debe llenar el tanque con gasolina fresca. Si sólo está parcialmente lleno, el aire en el tanque promoverá el deterioro del combustible durante el almacenamiento. Si se guarda un recipiente de gasolina para el reabastecimiento, hay que asegurarse que sólo contenga gasolina fresca.

1. Agregar el estabilizador de gasolina de acuerdo con las instrucciones del fabricante.
2. Después de agregar el estabilizador de gasolina, poner el motor en marcha al aire libre durante 10 minutos para asegurarse que la gasolina tratada haya reemplazado la gasolina no tratada en el carburador.
3. Apagar el motor.

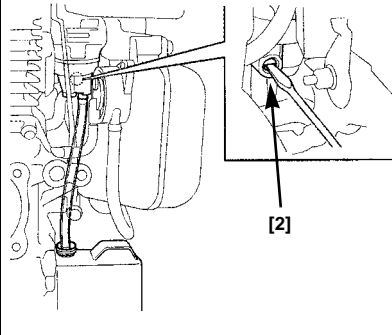
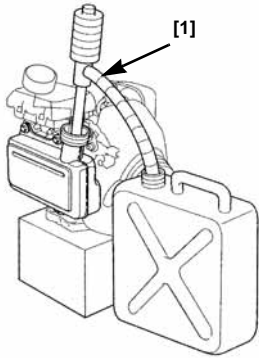
Drenaje del tanque de combustible y del carburador

ADVERTENCIA

La gasolina es altamente inflamable y combustible. Usted puede quemarse o lesionarse gravemente al manipular el combustible.

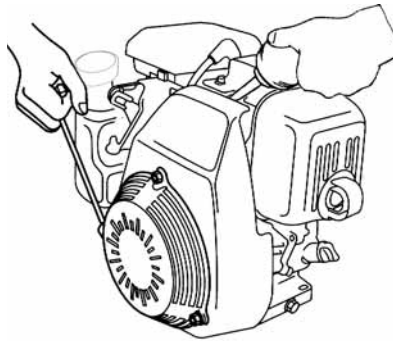
- Se debe apagar el motor y mantener lejos las fuentes de calor, chispas y llamas.
- Se debe reabastecer únicamente al aire libre.
- Se deben limpiar los derrames inmediatamente.

1. Usar una bomba tipo sifón [1] (disponible comercialmente) y pasar el combustible del tanque a un recipiente aprobado para contener gasolina.
2. Colocar un recipiente aprobado para contener gasolina debajo del carburador y usar un embudo para no derramar el combustible.
3. Aflojar el tornillo de drenaje [2] del carburador y drenarlo en un recipiente aprobado para contener gasolina. Una vez completado el drenaje, apretar el tornillo de drenaje del carburador.



ACEITE DEL MOTOR

1. Cambiar el aceite del motor (consultar la página 5).
2. Quitar la bujía (consultar la página 6).
3. Verter 1 - 2 cucharaditas de (5-10 cc) de aceite para motores limpio en el cilindro.
4. Tirar del arrancador de retroceso varias veces para distribuir el aceite.
5. Volver a instalar la bujía.



Precauciones de almacenamiento

Si el motor ha de almacenarse con gasolina en el tanque de combustible y en el carburador, es importante reducir el peligro de que se encienda el vapor de gasolina. Seleccione un área de almacenamiento bien ventilada, lejos de todo aparato que funcione con llamas, como un horno, calentador de agua o secadora de ropa. Evite también toda área que contenga motores eléctricos que producen chispas o donde se utilicen herramientas de potencia.

En lo posible, evite las áreas de almacenamiento con mucha humedad, porque promueven la oxidación y la corrosión.

Mantenga el motor nivelado durante su almacenamiento. La inclinación puede causar pérdidas de combustible o aceite.

Con el motor y el sistema de escape fríos, cubra el motor para protegerlo contra el polvo. Motores y sistemas de escape calientes pueden encender o fundir algunos materiales. No use láminas de plástico como cubiertas protectoras. Las cubiertas no porosas atrapan humedad alrededor del motor, promoviendo la oxidación y la corrosión.

Remoción del almacenamiento

Revise su motor de la manera descrita en la sección de **VERIFICACIONES ANTES DE LA PUESTA EN MARCHA** de este manual (consulte la página 2).

Si se drenó el combustible durante la preparación para el almacenamiento, llene el tanque con gasolina fresca. Si usted guarda un recipiente de gasolina para el reabastecimiento, asegúrese que contenga sólo gasolina fresca. La gasolina se oxida y deteriora con el tiempo, causando dificultades para arrancar.

Si el cilindro fue recubierto con aceite durante la preparación para el almacenamiento, el motor humeará brevemente cuando se lo ponga en marcha. Esto es normal.

TRANSPORTE

Mantenga el motor nivelado mientras se lo transporta para reducir la posibilidad de pérdidas de combustible.

Revise las instrucciones que acompañan al equipo que viene con este motor para cualquier procedimiento que se recomiende en caso de transporte

CÓMO SOLUCIONAR PROBLEMAS IMPREVISTOS

EL MOTOR NO ARRANCA

Posible causa	Corrección
El cebador está ABIERTO.	Tirar del cebador hasta la posición de CERRADO a menos que el motor esté caliente.
El interruptor de encendido está apagado.	<ul style="list-style-type: none"> • Mover la palanca del estrangulador a la posición de LENTO o RÁPIDO (página 3). • Mover la palanca del interruptor de encendido a la posición de ENCENDIDO (página 3). • Mover el interruptor de parada del motor a la posición de ENCENDIDO (página 4).
El nivel de aceite del motor está bajo (modelos con Oil Alert).	Llenar con el aceite recomendado hasta el nivel correcto (página 6).
No tiene combustible.	Reabastecer.
El combustible está malo; se almacenó el motor sin tratar o drenar la gasolina, o se reabasteció con gasolina mala.	Drenar el tanque de combustible y el carburador (página 8). Reabastecer con gasolina fresca.
La bujía está defectuosa, sucia o con la luz mal ajustada.	Reemplazar la bujía (página 6).
La bujía está mojada con combustible (motor ahogado).	Secar y volver a instalar la bujía. Dar arranque al motor con la palanca del estrangulador en la posición de RÁPIDO (cebador en la posición de ABIERTO).
El filtro de combustible está obstruido, el carburador funciona mal, el encendido funciona mal, las válvulas están pegadas, etc.	Llevar el motor a un concesionario autorizado de servicios de Honda o consultar el manual del taller.

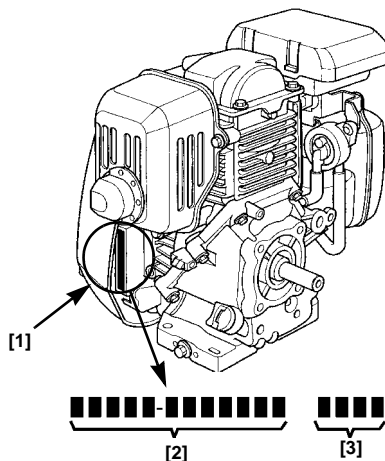
EL MOTOR NO TIENE FUERZA

Posible causa	Corrección
El filtro está obstruido.	Limpiar o reemplazar el filtro (página 6).
El combustible está malo; el motor se almacenó sin tratar o drenar la gasolina o se reabasteció con gasolina mala.	Drenar el tanque de combustible y el carburador (página 8). Reabastecer con gasolina fresca.
El filtro de combustible está obstruido, el carburador funciona mal, el encendido funciona mal, las válvulas están pegadas, etc.	Llevar el motor a un concesionario autorizado de servicios de Honda o consultar el manual del taller.

INFORMACIÓN TÉCNICA

UBICACIÓN DEL NÚMERO DE SERIE [1]

Registre el número de serie [2] del motor en el siguiente espacio. Necesitará esta información para pedir partes y hacer averiguaciones técnicas o sobre la garantía.



[2] NÚMERO DE SERIE del motor:

[3] Tipo de motor: _____

Fecha de compra: _____

Modificaciones del carburador para el funcionamiento en altas elevaciones

En altas elevaciones, la mezcla estándar de aire y combustible es demasiado rica. El rendimiento disminuye y el consumo de combustible aumenta. Una mezcla demasiado rica también ensucia la bujía y causa dificultades en el arranque. El funcionamiento durante períodos prolongados en una elevación distinta a aquella en la cual se certificó el motor podría aumentar las emisiones.

Se puede mejorar el rendimiento en altas elevaciones con modificaciones específicas en el carburador. Si siempre se usa el motor en elevaciones mayores a 1.500 metros, el concesionario de servicios puede realizar esta modificación en el carburador. Cuando este motor funciona en una elevación alta con las modificaciones en el carburador para uso en altas elevaciones, observará cada norma de emisión durante su vida útil.

Aún con la modificación del carburador, el caballaje del motor disminuirá en alrededor de un 3,4% por cada 300 metros de aumento de la elevación. El efecto de la elevación en el caballaje será mayor si no se realiza la modificación del carburador.

AVISO

Cuando el carburador se modifica para funcionar en altas elevaciones, la mezcla de aire y combustible es demasiado pobre para usarse a bajas elevaciones. El funcionamiento en elevaciones menores de 1.500 metros con un carburador modificado podría hacer que el motor se sobrecaliente y cause daños importantes en el motor. Para el uso en bajas elevaciones, pida al proveedor de servicios que vuelva a ajustar el carburador en las especificaciones de fábrica originales.

INFORMACIÓN SOBRE EL SISTEMA DE CONTROL

Fuente de emisiones

El proceso de combustión produce monóxido de carbono, óxidos de nitrógeno e hidrocarburos. El control de los hidrocarburos y los óxidos de nitrógeno es muy importante porque, en ciertas condiciones, reaccionan para formar humo fotoquímico cuando se someten a la luz del sol. El monóxido de carbono no reacciona del mismo modo, pero es tóxico.

Honda utiliza proporciones de aire/combustible apropiadas y otros sistemas de control de emisiones para reducir las emisiones de monóxido de carbono, óxidos de nitrógeno e hidrocarburos. Asimismo, los sistemas de combustible de Honda utilizan componentes y tecnologías de control para reducir las emisiones evaporativas.

Actas sobre el aire limpio de California, EE.UU., y sobre el medio ambiente de Canadá

Las regulaciones de EPA, de California y Canadá estipulan que todos los fabricantes deben proporcionar instrucciones escritas que describan la operación y el mantenimiento de los sistemas de control de las emisiones de escape.

Las siguientes instrucciones y procedimientos deben seguirse para que las emisiones del motor Honda se mantengan dentro de las normas de emisión.

Manipulaciones y alteraciones

Las manipulaciones o alteraciones del sistema de control de emisiones podrían aumentar las emisiones más allá del límite legal. Entre los actos que constituyen manipulación se encuentran los siguientes:

- Remoción o alteración de cualquier parte de los sistemas de admisión, combustible o escape.
- Alteración o anulación del varillaje del gobernador o del mecanismo de ajuste de velocidad para hacer que el motor funcione fuera de los parámetros de diseño.

Problemas que podrían afectar las emisiones

Si usted observa cualquiera de los siguientes síntomas en su motor, hágalo examinar y reparar por un concesionario de servicios.

- Dificultad para arrancar o caladas después del arranque.
- Marcha irregular en vacío.
- Fallo de encendido o explosiones al carburador bajo carga.
- Combustión retardada (explosiones al carburador).
- Humo de escape negro o alto consumo de combustible.

Repuestos

Los sistemas de control de emisiones en el motor Honda fueron diseñados, construidos y certificados para conformarse con los reglamentos de emisiones de la EPA y California. Recomendamos el uso de partes genuinas de Honda cuando se realice mantenimiento. Estos repuestos de diseño original se fabrican según las mismas normas que las partes originales, de modo que usted puede confiar en su rendimiento. El uso de repuestos que no son del diseño y la calidad originales podría menoscabar la eficacia de su sistema de control de emisiones.

El fabricante de una parte posmercado asume la responsabilidad de que la parte no afecte en forma adversa el rendimiento de la emisión. El fabricante o remanufacturador de la parte debe certificar que el uso de la parte no hará que el motor deje de cumplir con los reglamentos de emisión.

Mantenimiento

Siga el programa de mantenimiento en la página 5. Recuerde que este programa se basa en el supuesto que la máquina se utilizará para el fin designado. El funcionamiento prolongado con cargas altas o a temperaturas altas, o el uso en condiciones más húmedas o polvorientas que de costumbre, requerirá servicio más frecuente.

Índice de aire

Se fija una etiqueta o un rótulo colgante con información del índice de aire a motores certificados para un período de duración de emisiones de acuerdo con los requisitos del Consejo de Recursos Aéreos de California.

El gráfico de barras le provee a usted, nuestro cliente, la capacidad para comparar el rendimiento de las emisiones de los motores disponibles. Cuanto menor es el índice de aire, tanto menor es la contaminación.

La descripción de la duración provee información en cuanto al período de duración de las emisiones del motor. El término descriptivo indica el período de vida útil para el sistema de control de emisiones del motor.

Término descriptivo	Aplicable al período de duración de las emisiones
Moderado	50 horas (0-80 cc inclusivo) 125 horas (más de 80 cc)
Intermedio	125 horas (0-80 cc inclusivo) 250 horas (más de 80 cc)
Prolongado	300 horas (0-80 cc inclusivo) 500 horas (más de 80 cc) 1000 horas (225 cc y más grande)

ESPECIFICACIONES

GC160

Largo x ancho x alto	337 x 369 x 331 mm
Peso en seco	11,5 kg
Tipo de motor	4 tiempos, árbol de levas superior, monocilíndrico
Desplazamiento [diámetro x recorrido]	160 cm ³ [64 x 50 mm]
Potencia neto * (de acuerdo con SAE J1349)	3,4 KW, 4,6 PS a 3.600 rpm
Torque máximo neto * (de acuerdo con SAE J1349)	9,4 Nm, 0,96 kg•m a 2.500 rpm
Capacidad aceite para motores	0,58 ℓ
Capacidad del tanque de combustible	1,8 ℓ
Consumo de combustible	1,5 ℓ/h
Sistema de enfriamiento	Aire forzado
Sistema de encendido	Magneto transitorizado
Rotación del eje de la PTO (toma de fuerza)	Sentido contrario al de las agujas del reloj

GC190

Largo x ancho x alto	345 x 369 x 331 mm
Peso en seco	13,2 kg
Tipo de motor	4 tiempos, árbol de levas superior, monocilíndrico
Desplazamiento [diámetro x recorrido]	187 cm ³ [69 x 50 mm]
Potencia neto * (de acuerdo con SAE J1349)	3,9 KW, 5,3 PS a 3.600 rpm
Torque máximo neto * (de acuerdo con SAE J1349)	11,2 Nm, 1,14 kg•m a 2.500 rpm
Capacidad aceite para motores	0,58 ℓ
Capacidad del tanque de combustible	1,8 ℓ
Consumo de combustible	1,6 ℓ/h
Sistema de enfriamiento	Aire forzado
Sistema de encendido	Magneto transitorizado
Rotación del eje de la PTO (toma de fuerza)	Sentido contrario al de las agujas del reloj

* La potencia nominal del motor indicado en este documento es la salida de potencia neta probada en un motor de producción para el modelo de dicho motor y medida según SAE J1349 a 3600 rpm (potencia neto) en 2500 rpm (torque máximo neto). Este valor puede variar en motores de fabricación en serie. La salida de potencia real para el motor instalado en la máquina final puede variar dependiendo de numerosos factores, como la velocidad de operación del motor en aplicación, las condiciones climáticas, el mantenimiento u otras variables.

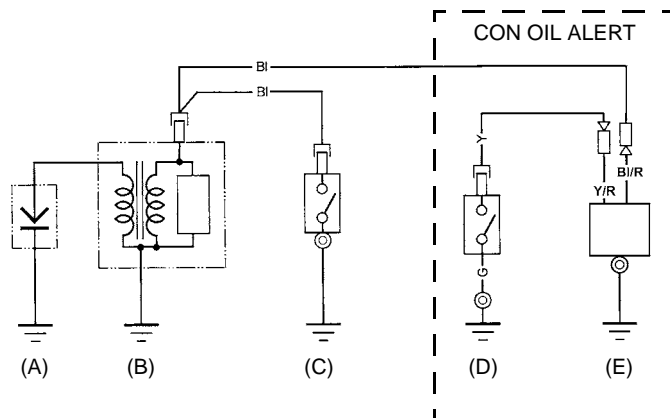
Especificaciones del reglaje

ÍTEM	ESPECIFICACIÓN	MANTENIMIENTO
Luz de bujía	0,7-0,8 mm	Consultar la página 6.
Tolerancia de válvulas (en frío)	ADM: 0,15 ± 0,04 mm ESC: 0,20 ± 0,04 mm	Consulte su distribuidor de Honda autorizado.
Otras especificaciones	No hacen falta ajustes adicionales.	

Información de referencia rápida

Combustible	Tipo	Gasolina sin plomo con octanaje de 86 o más (página 5).
Aceite para motores	Tipo	SAE 10W-30, API SJ, para uso general. Consultar la página 5.
Carburador	Velocidad en vacío	1.400 ± 150 rpm
Bujía	Tipo	BPR6ES (NGK)
Mantenimiento	Antes de cada uso	Revisar nivel de aceite del motor. Consultar la página 6. Revisar el filtro de aire. Consultar la página 6.
	Primeras 5 horas	Cambiar el aceite del motor. Consultar la página 6.
	Después	Consultar el programa de mantenimiento en la página 4.

DIAGRAMA DE CONEXIONES



- [A] BUJÍA
 [B] BOBINA DE ENCENDIDO
 [C] INTERRUPTOR DE ENCENDIDO (posición normal en ABIERTO)
 [D] INTERRUPTOR DEL NIVEL DE ACEITE (posición normal en ABIERTO)
 [E] UNIDAD OIL ALERT

MOTOR	POSICIÓN DEL INTERRUPTOR EN
EN MARCHA	ABIERTO
APAGADO	CERRADO

NIVEL DE ACEITE	POSICIÓN DEL INTERRUPTOR EN	MOTOR
NORMAL	ABIERTO	EN MARCHA
NIVEL BAJO	CERRADO	APAGADO

Bl	Negro	Br	Marrón
Y	Amarillo	O	Anaranjado
Bu	Azul	Lb	Celeste
G	Verde	Lg	Verde claro
R	Rojo	P	Rosa
W	Blanco	Gr	Gris

INFORMACIÓN PARA EL CONSUMIDOR

Publicaciones de Honda

El distribuidor de Honda dispone de otros dos documentos. Existe un *Manual de Taller* que cubre todos los procedimientos de mantenimiento y revisión y que se destina al técnico especializado. Hay también un *Catálogo de Piezas* que proporciona una lista completa de piezas ilustradas.

Información De Servicio Al Cliente

El personal de servicio del concesionario se compone de profesionales capacitados. Deberían ser capaces de responder cualquier pregunta que usted pueda tener. Si encuentra un problema que su concesionario no soluciona satisfactoriamente, analícelo con la gerencia de éste. El gerente de servicios, el gerente general o el propietario pueden ayudarle. Casi todos los problemas se solucionan de esta manera.

Si está insatisfecho con la decisión tomada por la gerencia del concesionario, comuníquese con el concesionario de motores Honda de su localidad. A continuación se indica su nombre, dirección y número telefónico.

Cuando escriba o llame, proporcione la siguiente información:

- Nombre y número de modelo del fabricante del equipo en que está montado el motor
- Modelo de motor, número de serie y tipo (consulte la página 9)
- Nombre del concesionario que le vendió el motor
- Nombre, dirección y persona de contacto del concesionario que proporciona mantenimiento al motor
- Fecha de compra
- Su nombre, dirección y número telefónico
- Una descripción detallada del problema

INFORMACIÓN DE SERVICIO AL CLIENTE DE MEXICO, LA AMÉRICA CENTRAL Y AMÉRICA DEL SUR

Argentina

Honda Motor De Argentina (HAR)
Avda. Lope de Vega 2799 (C1417 COL)
Capital Federal, Buenos Aires, Argentina
Phone:54-11-4630-3500
Fax:54-11-4630-3501
54-11-4630-3502 (parts)
www.hondamotor.com.ar

Bolivia

Agencias Generales
Avenida San Martin S-0253, Casilla
Correo 530
Cochabamba, Bolivia
Phone:591-4-425-1062
Fax:591-4-425-1061
www.agsa.com

Brasil

Moto Honda da Amazonia
Estrada Municipal Valencio Calegari,777
Av. Interna 6-Predio A- Nova Veneza
Cep 13186-524, Sumare, Sp, Brasil CGC
04.337.168/006-52
Phone: 55-11-5576-5090
Fax:55-11-5574-1299
www.honda.com.br

Chile

Honda Motor de Chile S.A.
Estrada Municipal Valencio Calegari,777
Av. Interna 6-Predio A- Nova Veneza
Cep 13186-524, Sumare, Sp, Brasil CGC
04.337.168/006-52
Phone:56-2-270-9800
Fax:56-2-738-6511
www.hondamotor.cl

Colombia

Energia & Potencia Ltda.
Carrera 45 A #66A-100
Itagui, Antioquia, Colombia
Phone:574-374-1717
Fax:574-374-0411
FANALCA
P.O. Box 8066, Arroyohonda Autopista,
Cali-Yumbo, Cali, Colombia
Phone:572-651-5300
Fax:572-651-5370

Costa Rica

Franz Amrhein & Co., S.A. (FACO)
La Uruca, San Jose Calle 5/7,
P.O. Box 1766-1000, San Jose,
Costa Rica
Phone:506-2576911
Fax:50-62-33-5584
Sociedad Anonima Autos (S.A.V.A.)
Apartado 10042-1000, La Uruca
San Jose, Costa Rica
Phone:50-62-56-8600
Fax:50-62-21-5570

Ecuador

Almacenes Juan Eljuri Cia. Ltda.
Av. Gil Ramirez Davalos 5-32
P.O. Box "F", Cuenca, Ecuador
Phone:011-593-786-2111
Fax:593-286-2303

El Salvador

Ensambladora Salvadoreno (ESSA)
Apto. 06-974 Blvd. Venezuela 1155
San Salvador, El SalvadoACEITE PARA
MOTORES
Phone:50-32-71-3777
Fax:50-32-71-5463

Sagrisa Industrial Servicio Agricola
Km 3 Blvd. del Ejercito Nacional, Apdo
Postal 394, San Salvador, El Salvador
Phone:503-293-2233
Fax:503-293-1577
www.sagrisa.com

Guatemala

**Agencia Y Fabrica Honda, S.A.
(FAHonda S.A.)**
Boxes, Section 0315/ GUA
7801 NW 37th Street
Miami, Fl. 33166-6559, U.S.A.
Via 8 (Calle Mariscal Cruz),
5-34 Zona 4 01004
Guatemala City, Guatemala
Documents, Section 0315
P.O. Box 02-5289
Miami, Florida 33102-5289, U.S.A.
Phone:502-334-4195
Fax:502-334-4197
www.honda.com.gt

Honduras

BOMOHS A-
San Pedro Sula Ave.
Nueva Orleans 230, Honduras
Phone:504-556-6611
Fax:504-556-6617
www.bomohsa.net
**Central Automatriz, S.A. de C.V.
(Honduras)-**
Apartado Postal No. 376
Tegucigalpa, D. C., Honduras
Phone:50-43-7-0710
Fax:50-43-7-2424

Mexico

Honda de Mexico
Carretera a el Castillo No. 7250
El Salto, Jalisco, Mexico 45680
Phone: 523-332-8400
Fax 523-332-84 01 70
www.honda.com.mx

Nicaragua

**Ensambladora Nicaraguense
(ENIMOSA)**
Apartado 1949,
Managua, Nicaragua
Phone:50-52-66-1232
Fax:50-52-66-1670

Panama

**Comercial Forza (Packages go to E & P
address)**
c/o Panalpina S.A. Lote 4 Manzana 40
EdificioZ-40 Free Zone, Colon
Phone:57-4/313-30-38
Fax:507-214-8979
www.conforza.com

Paraguay

Diesa S.A.
Avda. Dr. Eusebio Ayala Km.
4,5 (Casilla De Correos No. 2523)
Asuncion, Paraguay
Phone:595-21-503-7921
Fax:595-21-503-721

Peru

Honda Del Peru (Hopesa)
Apartado Postal 1880, Av.
Republica De Panama 3490
San Isidro, Lima, Peru
Phone:5114-221-0407
Fax:5114-414-1141
www.honda.com.pe

República Dominicana

Agencia Bella C por A.
Av. John F. Kennedy, Z.6, Apartado
Postal 1206 Santo Domingo,
Dominican Republic
Phone:(809)5-42-6578
Fax:91/(809)565-0984
www.agenciabella.com

Uruguay

IWESA-
Dr. J. Barrios Amorin 1785
11.800 Montevideo, Uruguay
Phone:598-2-924-1012
Fax:598-2-924-1082
Nanvel S.A-
Uruguayana 3402/08
Montevideo 11700, Uruguay
Phone:598-2-308-0279
Fax:598-2-308-0279

Venezuela

Honda De Venezuela C.A.
Av. Roosevelt, Galpon N 1
Prado de Maria
(Al lado de Sanchez & Cia.)
Caracas, Venezuela
Phone:58-2-239-8438
Fax:58-2-237-7780
www.hondaveenezuela.com.ve

INFORMASI GARANSI INTERNASIONAL AL UNTUK MESIN SERBA GUNA Honda

Mesin Serba Guna Honda yang dipasang pada produk buatan manufaktur lain (OEM) ini dijamin oleh garansi Honda, berdasarkan persyaratan berikut:

- Syarat garansi ini berlaku bagi mesin serba guna yang ditetapkan Honda untuk masing-masing negara.
- Garansi ini berlaku untuk kerusakan mesin yang disebabkan oleh masalah produksi atau spesifikasi.
- Garansi ini tidak berlaku bagi negara-negara yang tidak memiliki distributor Honda.

Cara mereparasi produk yang memiliki garansi:

Bawalah produk Anda ke dealer yang berkaitan dengan produk-produk mesin Honda atau dealer tempat Anda membeli produk tersebut, dengan membawa nota pembelian yang Anda terima saat Anda membeli produk tersebut sebagai bukti bahwa produk Anda masih memiliki garansi. Apabila dealer tersebut menilai bahwa mesin Anda perlu diperbaiki, maka perbaikan akan dibertindak.

KETERANGAN JAMINAN ANTARABANGSA UNTUK HONDA GENERAL PURPOSE ENGINES

The Honda General Purpose Engine yang diinstal dalam produk OEM dilindungi oleh jaminan Honda, dalam penerimaan berikut:

- Syarat jaminan menurut kepada general-purpose engine yang dikeluarkan oleh Honda di setiap negara.
- Syarat jaminan berlaku untuk kerusakan enjin yang disebabkan sebarang pembuatan atau spesifikasi tertentu.
- Jaminan ini tidak berlaku untuk negara dimana yang tidak ada penganalisa Honda.

Bagaimana hendak membetulkan/membaliki produk anda dibawah jaminan:

Hantarkan produk OEM anda kepada penganalisa yang mengedarkan produk Honda Power atau penganalisa yang anda beli produk anda daripadanya, dengan resit dimasa pembelian sebarang bukti yang produk anda masih dibawah jaminan kerosakan. Sekiranya penganalisa mengutarakan supaya produk anda perlu dibetulkan, jaminan pembetulan akan dijamin.

INTERNATIONAL WARRANTY INFORMATION FOR Honda GENERAL PURPOSE ENGINES

The Honda General Purpose Engine installed on this OEM product is covered by a Honda warranty, on the following assumptions.

- The warranty conditions conform to those for the general purpose engine established by Honda for each country.
- The warranty conditions apply to engine failures caused by any manufacturing or specification problem.
- The warranty does not apply to countries where there is no Honda distributor.

How to have your product repaired under warranty:

Bring your OEM product to the dealer who deals with Honda power products or the dealer who you purchased your product from, with the receipt you received at the time of purchase as evidence that your product is still under warranty. If the dealer judges that the engine needs to be repaired, warranty repair will be performed.

Honda 汎用エンジン 保証のご案内

このOEM製品（相手先ブランド製品）に搭載されたHonda汎用エンジンにはHondaの保証が適用されます。基本的な考え方は、以下の通りです。

- 保証条件は、その国においてHondaが定めている汎用エンジンの保証条件に従います。
- エンジン修理の原因が製造上、仕様のトラブルによるものである場合に保証が適用されます。
- その国にHondaディストリビューターが無い場合は、保証は受けられません。

保証修理の受け方

保証期間内であることの確認のため、製品購入時の領収書と共に、Honda汎用製品を扱っているディーラー又はOEM製品をお買い上げになったディーラーに製品をお持ちください。Hondaエンジンを修理する必要があるとそのディーラーが判断した場合は、保証修理が行われます。

معلومات عن الضمانة الدولية لمحركات هوندا للأغراض العامة

محركات هوندا للأغراض العامة التي تتركبها على المنتجات التي تم صنعها بواسطة شركات أخرى تكون مشمولة بضمانة هوندا، وتخضع الضمانة الأساسية لما يلي:

- حالات الضمانة المطابقة لهذه المحركات للأغراض العامة تم وضعها من قبل هوندا لكل بلد.
- يتم تطبيق شروط الضمانة التي أعطال الحرك التي سببها من أي خلل بالتصنيع أو مشاكل بالموصلات.
- لا يتم تطبيق الضمانة على البلدان التي لا يوجد فيها موزع هوندا.

كيفية إصلاح جهازك تحت هذه الضمانة

خذ جهازك الى الوكيل الذي يتعامل بمنتجات الطاقة من هوندا أو الوكيل الذي اشتريته منه مع مستند الشراء الذي استلمته عند وقت الشراء. كبرهان على أن جهازك لازال مشمول بالضمانة. إذا قرر الوكيل أن الحرك، في حاجة الى اصلاح، يتم تنفيذ التصليح حسب الضمانة.

INFORMATIONS SUR LA GARANTIE INTERNATIONALE DES MOTEURS A USAGE GENERAL Honda

Le moteur à usage général Honda installé sur ce matériel OEM est couvert par une garantie Honda dans les conditions suivantes:

- Les conditions de garantie sont conformes à celles pour le moteur à usage général établies par Honda pour chaque pays.
- Les conditions de garantie s'appliquent aux pannes de moteur causées par un problème de fabrication ou de spécification.
- La garantie ne s'applique pas aux pays où il n'existe pas de distributeur Honda.

Comment faire réparer votre matériel sous la garantie:

Amenez votre matériel OEM chez le revendeur s'occupant de matériels de puissance Honda ou chez le revendeur où vous avez acheté votre matériel, avec le reçu d'achat en main comme preuve que votre matériel est encore sous garantie. Si le revendeur estime que le moteur a besoin d'être réparé, la réparation aura lieu sous garantie.

INFORMATIONEN ZUR INTERNATIONALEN GARANTIE FÜR HONDA-INDUSTRIEMOTOREN

Der in diesem Erstausrüster-Produkt installierte Honda-Industriemotor ist unter den nachfolgend aufgeführten Voraussetzungen von der Honda-Garantie abgedeckt.

- Die für Industriemotoren geltenden Garantiebestimmungen wurden von Honda für jedes Land festgelegt.
- Die Garantie gilt für Motordefekte, die durch einen Fabrikationsfehler oder inkorrekte Spezifikationen verursacht wurden.
- Die Garantie gilt nicht in Ländern, in denen kein Honda-Großhändler vorhanden ist.

Vorgehensweise bei einem Garantiefall:

Bringen Sie Ihr Erstausrüster-Produkt zu einem Honda-Händler für motorgetriebene Geräte oder zu Ihrem Verkaufshändler. Zum Beweis, daß das Produkt noch durch die Garantie abgedeckt ist, muß zu dieser Zeit der Verkaufsbeleg vorgelegt werden. Nachdem der Händler bestätigt, daß eine Reparatur des Motors erforderlich ist, werden die nötigen Garantiearbeiten ausgeführt.

INTERNATIONALE GARANTIE INFORMATIE VOOR HONDA ALGEMEEN-GEbruik MOTOREN

De Honda algemeen-gebruik motor die op dit EOM product is gemonteerd, is gedekt door een Honda garantie, waarbij het volgende in acht moet worden genomen:

- De garantievoorwaarden voldoen aan die voor de algemeen-gebruik motoren opgesteld door Honda voor ieder land.
- De garantievoorwaarden zijn van toepassing op motordefecten die veroorzaakt zijn door fabricage- of specificatiefouten.
- De garantie geldt niet in landen waar geen Honda distributeur is.

Repareren van het product onder de garantie:

Bring uw OEM product naar een dealer die Honda elektrische producten verkoopt of naar de dealer waarvan u het product heeft gekocht, tezamen met het bewijs van aankoop zodat de dealer kan zien dat het product nog onder de garantie is. Indien de dealer van oordeel is dat de motor gerepareerd moet worden, zal deze onder de garantie worden gerepareerd.

INFORMAZIONI SULLA GARANZIA INTERNAZIONALE PER I MOTORI Honda PER USO GENERICO

La garanzia Honda è applicabile sui motori Honda per uso generico che equipaggiano macchine prodotte da altri costruttori ed è assoggettata alle seguenti regole:

- Le condizioni di garanzia sono conformi a quelle per i motori per uso generico stabilite da Honda per ogni nazione.
- Le condizioni di garanzia si applicano da problemi del motore causati da qualsiasi problema di produzione o specifico.
- La garanzia non si applica alle nazioni nelle quali non è presente nessun rivenditore Honda.

Procedure per ottenere interventi in garanzia:

Portare il prodotto di altro costruttore dal rivenditore che tratta prodotti motorizzati Honda o dal rivenditore dal quale si è acquistato il prodotto, con la ricevuta fornita nel momento dell'acquisto, come prova che il prodotto è ancora in garanzia. Se il rivenditore ritiene che il motore necessita di riparazioni, verranno eseguite le riparazioni in garanzia.

INFORMACIÓN SOBRE LA GARANTÍA INTERNACIONAL DE LOS MOTORES Honda DE USO GENERAL

El motor Honda de uso general instalado en este producto de fabricante de equipo original (OEM) está cubierto por una garantía de Honda, bajo las condiciones siguientes.

- Las condiciones de garantía conforman las de los motores de uso general establecidas por Honda para cada país.
- Las condiciones de garantía se aplican a las averías de motores causadas por un problema de fabricación o de especificaciones.
- La garantía no se aplica en los países en los que no haya ningún distribuidor de Honda.

Cómo hacer para que le reparen su producto en garantía:

Lleve su producto OEM al concesionario que comercializa productos motorizados Honda o al concesionario donde usted compró su producto, llevando el recibo que le entregaron en el momento de la compra como prueba de que su producto está todavía en garantía. Si el concesionario cree que hay que reparar el motor, se le realizará la reparación aplicando la garantía.

INFORMAÇÃO SOBRE A GARANTIA INTERNACIONAL PARA MOTORES Honda PARA USO GERAL

O motor Honda para uso geral neste produto OEM é coberto pela garantia Honda de acordo com os seguintes princípios.

- As condições da garantia conformam com as condições de garantia para motores de uso geral estabelecidas pela Honda no país em questão.
- As condições da garantia são para falhas do motor causadas por qualquer problema de fabricação ou especificação.
- A garantia não é válida em países onde não há um distribuidor Honda.

Para obter o serviço sob a garantia:

Leve o seu produto OEM para um revendedor que venda produtos montados com motor Honda ou ao revendedor onde comprou o produto, com o recibo que recebeu no ato da compra como uma evidência que o produto ainda está na garantia. Se o revendedor julgar que o motor precisa ser reparado, o reparo será realizado através da garantia.

本田通用发动机国际保修通知

该OEM产品中安装的本田通用发动机包含有下列前提下的本田保修承诺。

- 保修条件应符合本田针对各国制定的通用发动机的保修条件。
- 保修条件适用于因任何制造或规格问题所造成的发动机故障。
- 该保修不适用于无本田经销商的国家。

如何使您的产品得到保修修理:

将您的OEM产品送到办理本田动力产品的经销商或您购买该产品的经销商, 出示购买时所得到的发票, 以证明您的产品仍在保修期内。若经销商断定该发动机需要修理时, 就会得到保修修理。

ขอแจ้งเกี่ยวกับการรับประกันสินค้าการว่ายนน้ำ สำหรับเครื่องขุดถนนที่ติดตั้งอยู่บนรถจักรยานยนต์

เครื่องขุดถนนที่ประกอบขึ้นภายใต้การติดตั้งอยู่บนรถจักรยานยนต์ OEM นี้ ได้ถูกควบคุมอยู่ในประกันของฮอนดาคตามเงื่อนไขดังต่อไปนี้

- เงื่อนไขในการรับประกันนี้ใช้สำหรับเครื่องขุดถนนประเภทที่ถูกผลิตโดยฮอนด้าในแต่ละประเทศ
- เงื่อนไขในการรับประกันนี้จะรับประกันการเสียหายของเครื่องที่ผลิตภายใต้การติดตั้งที่ถูกต้อง
- การรับประกันนี้จะไม่ครอบคลุมถึงประเภทที่ไม่ได้ผ่านการรับประกันจากผู้จำหน่าย

การเข้ารับการซ่อมภายใต้เงื่อนไขการรับประกัน

นำผลิตภัณฑ์OEM ของท่านไปยังผู้จำหน่ายปลีกที่มีการดลงกับทางฮอนด้าผลิตภัณฑ์เครื่องขุดถนนที่ท่านได้ทำ หรือผลิตภัณฑ์ที่พร้อมขายในร้านรับเงินที่ท่านได้รับโดยนึ่ง เพื่อเป็นหลักฐานผลิตภัณฑ์ของท่านอยู่ภายใต้ระยะเวลาของการรับประกันจากผู้จำหน่ายของฮอนด้าเห็นว่าเป็นการขุดถนนที่ได้รับการซ่อมแซมจะได้รับภายใต้เงื่อนไขการรับประกัน

NOTES

NOTES

NOTES

HONDA

The Power of Dreams



Printed on
Recycled Paper